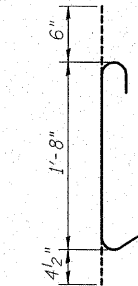
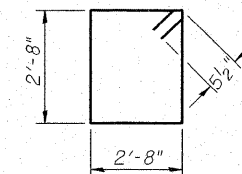
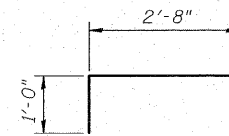
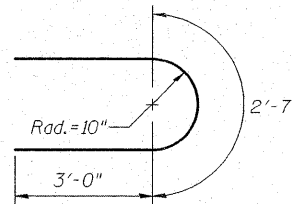
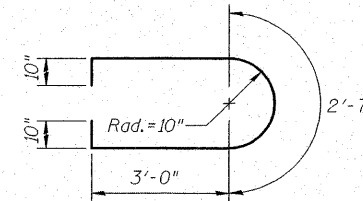
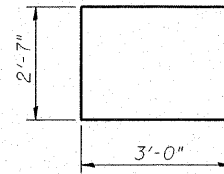
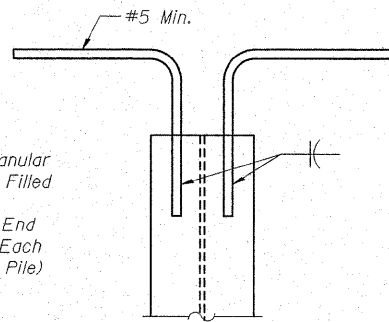
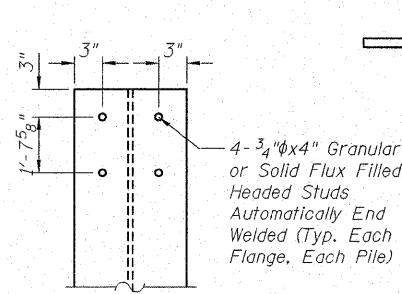
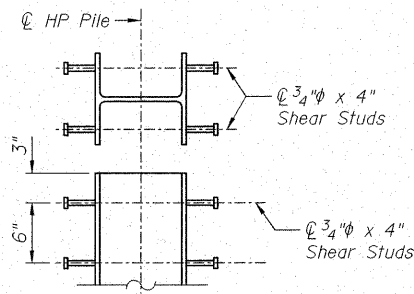
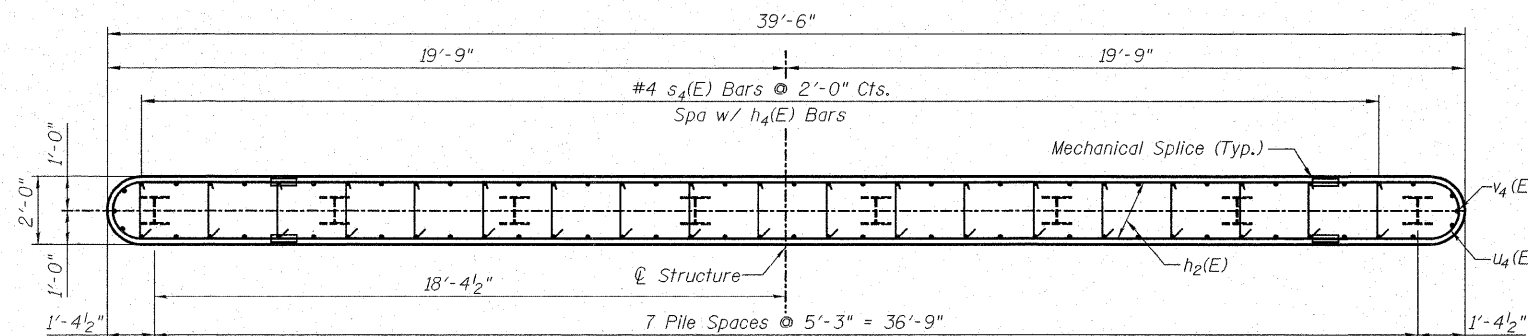
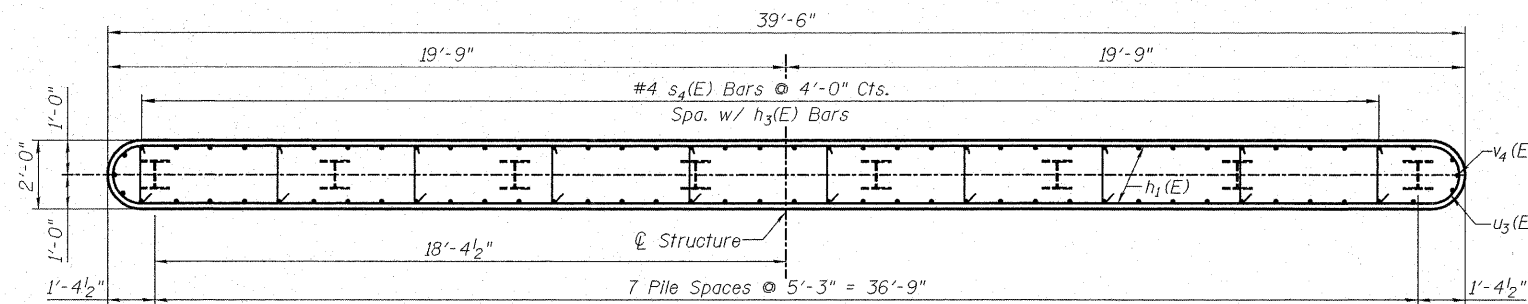
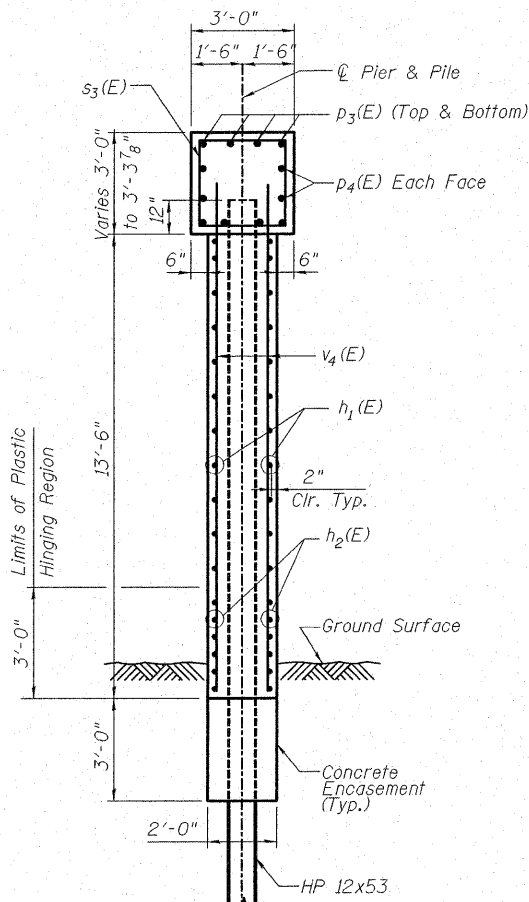


STATE OF ILLINOIS  
DEPARTMENT OF TRANSPORTATION



**HP PILE ANCHORAGE**

Cost of furnishing and installing HP Pile Anchorage for Option A, B or C is included in the cost unit price for Furnishing Steel Piles HP 12x53.



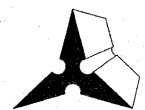
**PIER 1  
BILL OF MATERIAL**

Bar	No.	Size	Length	Shape
h <sub>1</sub> (E)	44	#5	19'-10"	—
h <sub>2</sub> (E)	24	#5	17'-0"	—
p <sub>2</sub> (E)	4	#5	5'-10"	—
p <sub>3</sub> (E)	16	#7	21'-10"	—
p <sub>4</sub> (E)	8	#6	21'-5"	—
s <sub>3</sub> (E)	39	#5	11'-7"	□
s <sub>4</sub> (E)	224	#4	2'-7"	U
u <sub>2</sub> (E)	8	#6	8'-7"	U
u <sub>3</sub> (E)	22	#5	10'-3"	U
u <sub>4</sub> (E)	12	#5	8'-7"	U
u <sub>5</sub> (E)	6	#5	4'-8"	U
v <sub>4</sub> (E)	82	#5	14'-6"	—
Structure Excavation		Cu. Yd.	13	
Concrete Structures		Cu. Yd.	53.3	
Reinforcement Bars, Epoxy Coated		Pound	4910	
Furnishing Steel Piles HP12x53		Foot	595	
Driving Piles		Foot	595	
Test Piles HP12x53		Each	1	
Mechanical Splice		Each	24	
Concrete Encasement		Cu. Yd.	2.8	

Notes:  
Space reinforcement in cap to miss anchor bolts.  
Pour steps monolithically with cap.  
For HP Pile details see sheet 23 of 28.

**PIER 1 DETAILS  
ILLINOIS ROUTE 4/15 OVER  
KASKASKIA OVERFLOW  
F.A.P. ROUTE 817 SEC 421B-1  
ST. CLAIR COUNTY  
STATION 149+50.00  
STRUCTURE NO. 082-0275**

DESIGNED	DB
CHECKED	RS
DRAWN	ER
CHECKED	WWH



**Juneau Associates, Inc. P.C.**  
CONSULTING ENGINEERS AND LAND SURVEYORS

2100 State Street  
Granite City, Illinois 62040  
Phone: (618) 977-1400  
Fax: (618) 462-5641

100 North Research Drive  
Edwardsville, Illinois 62025  
Phone: (618) 659-0900/(618) 659-0800  
Fax: (618) 658-0941

Registered Professional Service Corporation License No. 164-00389

SHEET NO. 20 28 SHEETS	F.A.P. RTE.	SECTION	COUNTY	TOTAL SHEETS	SHEET NO.
	817	421B-1	ST. CLAIR	56	39
STRUCTURE NO. 082-0275		CONTRACT NO. 76885			
FED. ROAD DIST. NO.		ILLINOIS FED. AID PROJECT			