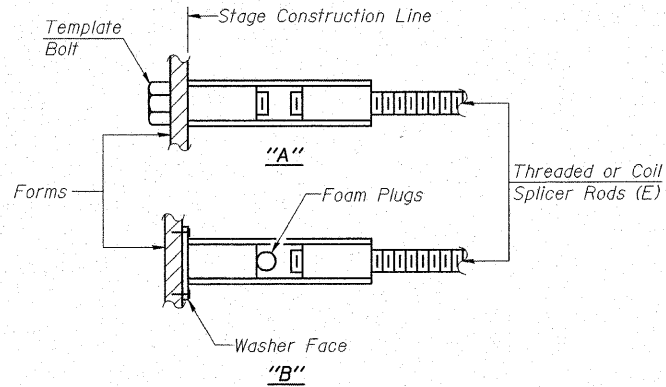
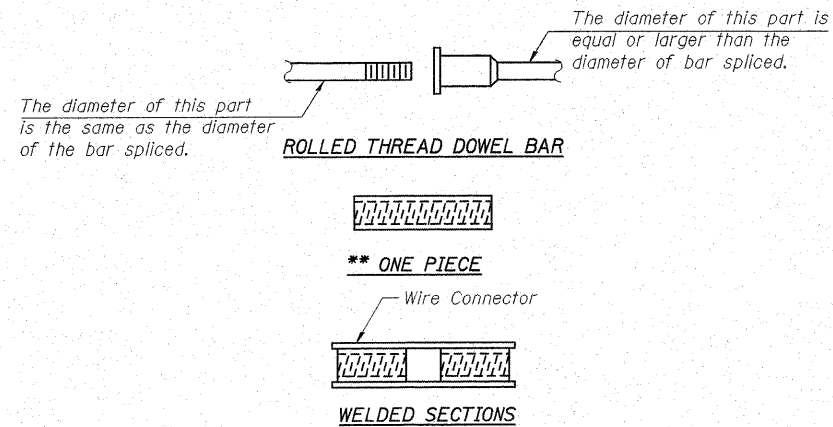


STATE OF ILLINOIS
DEPARTMENT OF TRANSPORTATION

NOTES

Bar splicer assemblies shall be of an approved type and shall develop in tension at least 125 percent of the yield strength of the lapped reinforcement bars.
 Splicer rods shall be of minimum 60 ksi yield strength, threaded or coiled full length.
 All reinforcement bars shall be lapped and tied to the splicer rods or dowel bars.
 Bar splicer assemblies shall be epoxy coated according to the requirements for reinforcement bars.
 Other systems of similar design may be submitted to the Engineer for approval. Approval shall be based on certified test results from an approved testing laboratory that the proposed bar splicer assembly satisfies the following requirements:

- ① Minimum Capacity (Tension in kips) = $1.25 \times f_y \times A_t$
 - ② Minimum *Pull-out Strength (Tension in kips) = $0.66 \times f_y \times A_t$
- Where f_y = Yield strength of lapped reinforcement bars in ksi.
 A_t = Tensile stress area of lapped reinforcement bars.
 * = 28 day concrete



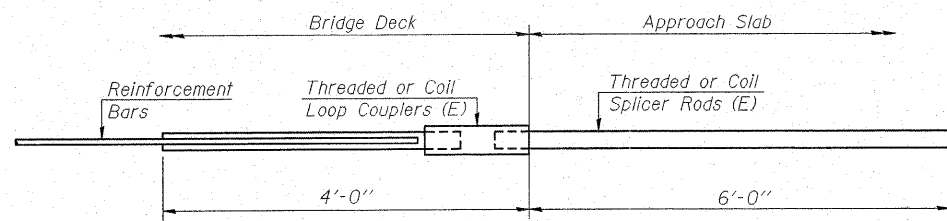
BAR SPLICER ASSEMBLY ALTERNATIVES

**Heavy Hex Nuts conforming to ASTM A 563, Grade C, D or DH may be used.

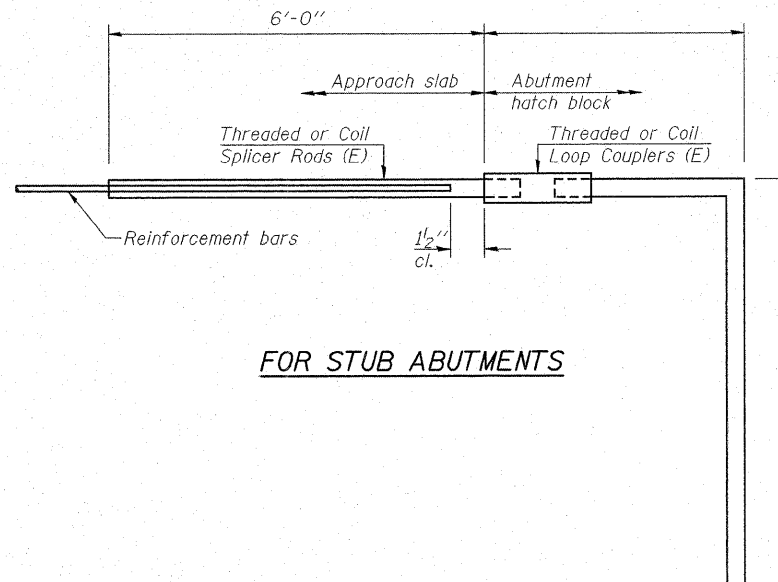
INSTALLATION AND SETTING METHODS

"A": Set bar splicer assembly by means of a template bolt.
 "B": Set bar splicer assembly by nailing to wood forms or cementing to steel forms.
 (E) : Indicates epoxy coating.

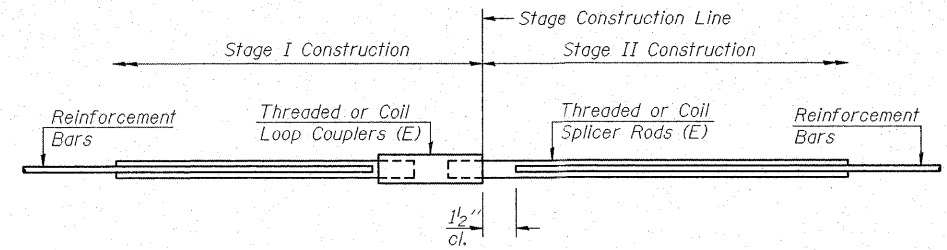
BAR SPLICER ASSEMBLIES			
Bar Size to be Spliced	Splicer Rod or Dowel Bar Length	Strength Requirements	
		Min. Capacity kips - tension	Min. Pull-Out Strength kips - tension
#4	1'-8"	14.7	7.9
#5	2'-0"	23.0	12.3
#6	2'-7"	33.1	17.4
#7	3'-5"	45.1	23.8
#8	4'-6"	58.9	31.3
#9	5'-9"	75.0	39.6
#10	7'-3"	95.0	50.3
#11	9'-0"	117.4	61.8



FOR INTEGRAL OR SEMI-INTEGRAL ABUTMENTS



FOR STUB ABUTMENTS



STANDARD

Bar Size	No. Assemblies Required	Location

Bar Splicer for #5 bar
Min. Capacity = 23.0 kips - tension
Min. Pull-out Strength = 12.3 kips - tension
No. Required = 80

Bar Splicer for #5 bar
Min. Capacity = 23.0 kips - tension
Min. Pull-out Strength = 12.3 kips - tension
No. Required =

DESIGNED DB
CHECKED RS
DRAWN ER
CHECKED WWH



Juneau Associates, Inc. P.C.
 CONSULTING ENGINEERS AND LAND SURVEYORS

2100 State Street
 Granite City, Illinois 62040
 Phone: (618) 977-1400
 Fax: (618) 452-5541
 Registered Professional Service Corporation License No. 184-003389

100 North Research Drive
 Edwardsville, Illinois 62025
 Phone: (618) 559-0900/(618) 559-0800
 Fax: (618) 559-0941

BAR SPLICER ASSEMBLY DETAILS
ILLINOIS ROUTE 4/15 OVER
KASKASKIA OVERFLOW
F.A.P. ROUTE 817 SEC 421B-1
ST. CLAIR COUNTY
STATION 149+50.00
STRUCTURE NO. 082-0275

SHEET NO. 24	F.A.P. RTE. 817	SECTION 421B-1	COUNTY ST. CLAIR	TOTAL SHEETS 56	SHEET NO. 43
28 SHEETS	STRUCTURE NO. 082-0275		CONTRACT NO. 76885		
FED. ROAD DIST. NO.		ILLINOIS	FED. AID PROJECT		