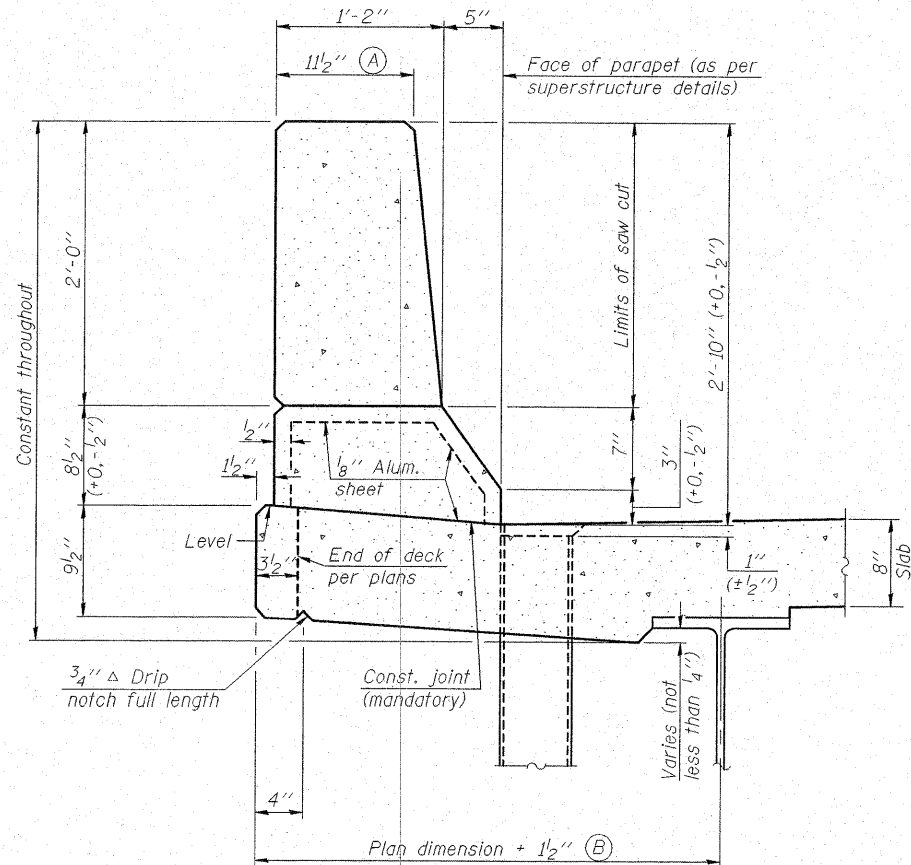
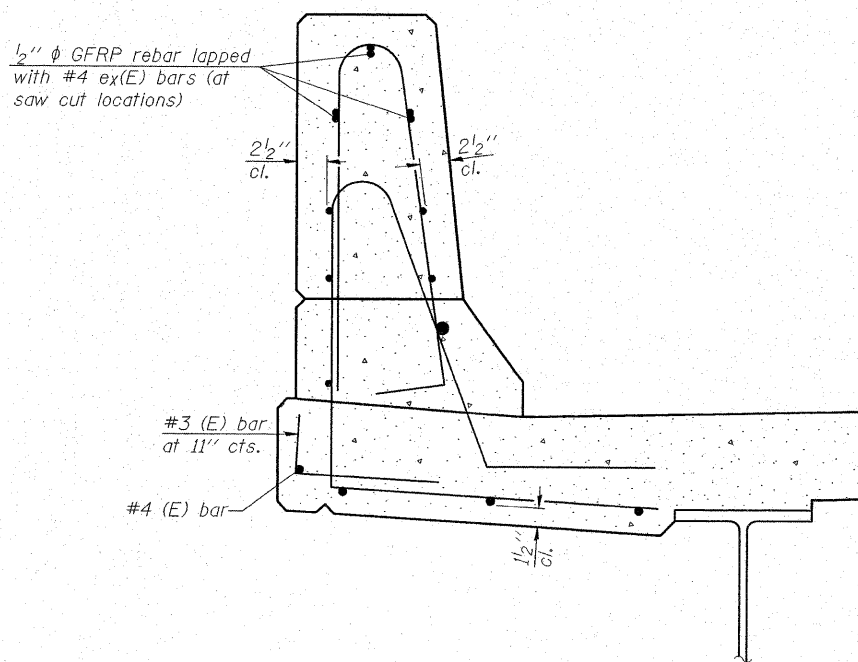


STATE OF ILLINOIS
DEPARTMENT OF TRANSPORTATION



SECTION
(Showing dimensions)

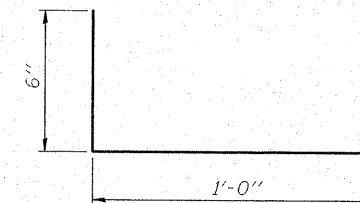


SECTION
(Showing reinforcement clearances for slip forming and additional reinforcement bars)

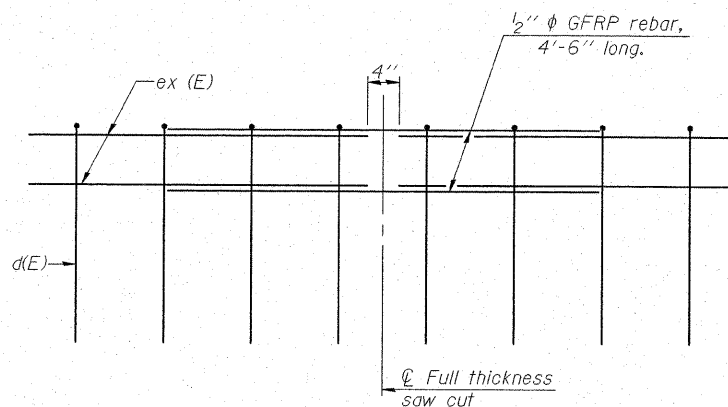
GENERAL NOTES

All dimensions shall remain the same as shown on contract plans, except dimensions A and B which are to be revised as shown to provide additional clearance. Additional concrete needed to revise dimension A and B = 0.0165 cu. yds./ft. of parapet.

Place aluminum sheet in curb portion at and near piers. Full thickness saw cut at all joint locations in lieu of cork joint filler.



#3 (E) BAR



GFRP REBAR STIFFENING DETAIL

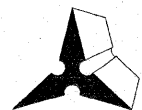
(Place as shown in parapet section at each parapet joint location.)

**CONCRETE PARAPET
SLIPFORMING OPTION
ILLINOIS ROUTE 4/15 OVER
KASKASKIA OVERFLOW
F.A.P. ROUTE 817 SEC 421B-1
ST. CLAIR COUNTY
STATION 149+50.00
STRUCTURE NO. 082-0275**

DESIGNED DB
CHECKED RS
DRAWN ER
CHECKED WWH

SFP-34

5-16-08



Juneau Associates, Inc. P.C.
CONSULTING ENGINEERS AND LAND SURVEYORS

2100 State Street
Granite City, Illinois 62040
Phone: (618) 977-1400
Fax: (618) 452-5541

100 North Research Drive
Edwardsville, Illinois 62025
Phone: (618) 659-0000/(618) 659-0800
Fax: (618) 659-0841
Registered Professional Service Corporation License No. 184-000889

SHEET NO. 26 28 SHEETS	F.A.P. RTE. 817	SECTION 421B-1	COUNTY ST. CLAIR	TOTAL SHEETS 56	SHEET NO. 45
	STRUCTURE NO. 082-0275		CONTRACT NO. 76885		
FED. ROAD DIST. NO.		ILLINOIS FED. AID PROJECT			