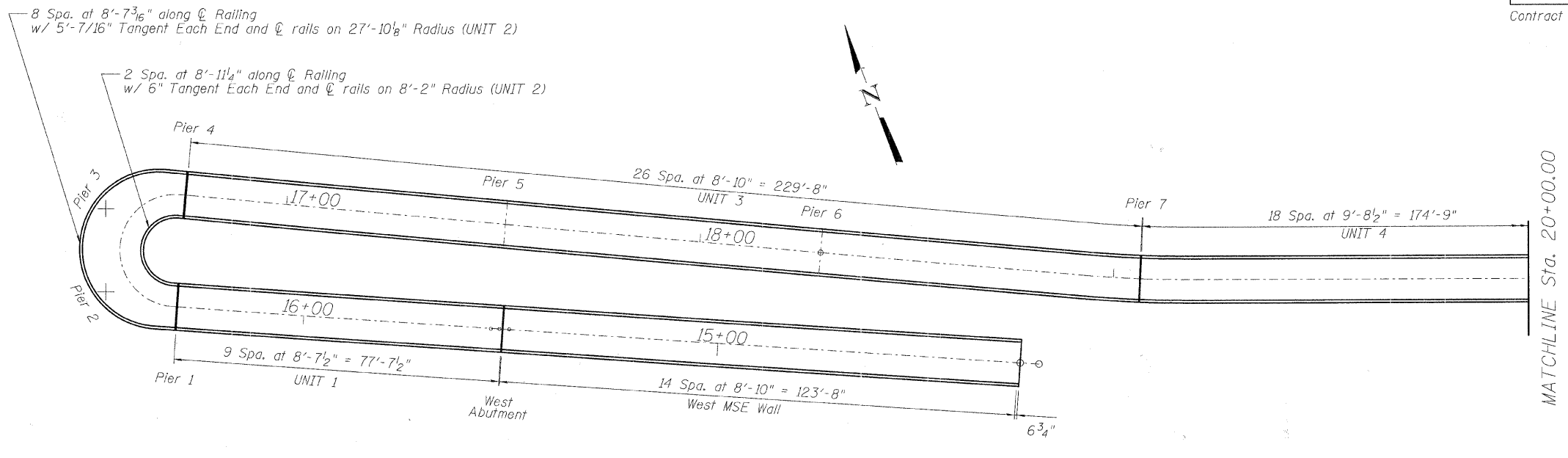
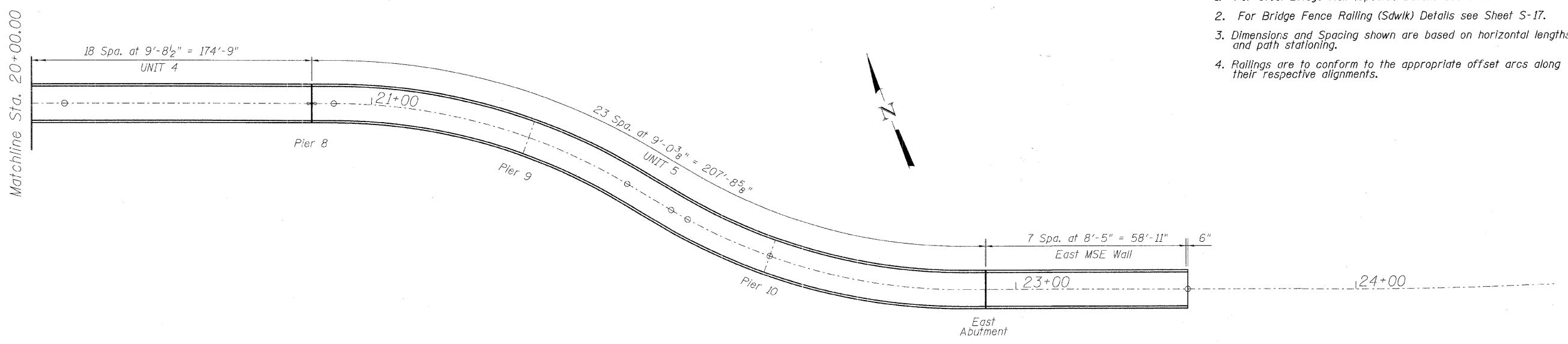


ROUTE NO.	SECTION	COUNTY	TOTAL SHEETS	SHEET NO.	SHEET NO. S-15 S-42 SHEETS
FAU 2505	94-P4008-01-BR	KANE	81	39	
FED. ROAD DIST. NO. 7	ELLIMORE	FED. AID PROJECT			

Contract #83984



PLAN



PLAN

NOTES:

1. For Steel Bridge Rail (Special) Details see Sheet S-16.
2. For Bridge Fence Railing (Sdwik) Details see Sheet S-17.
3. Dimensions and Spacing shown are based on horizontal lengths and path stationing.
4. Railings are to conform to the appropriate offset arcs along their respective alignments.

DESIGNED	MJD
CHECKED	AEU
DRAWN	MJD
CHECKED	AEU

RH&A
 Robert H. Anderson & Associates, Inc.
 Consulting Engineers
 License No. 194-005281

BRIDGE RAILING PLAN
 PEDESTRIAN BRIDGE OVER RANDALL ROAD
 AT SILVER GLEN ROAD
 FAU 2505, SECTION 94-P4008-01-BR
 KANE COUNTY
 STRUCTURE NO. 045-9000
 DATE: OCTOBER 31, 2008