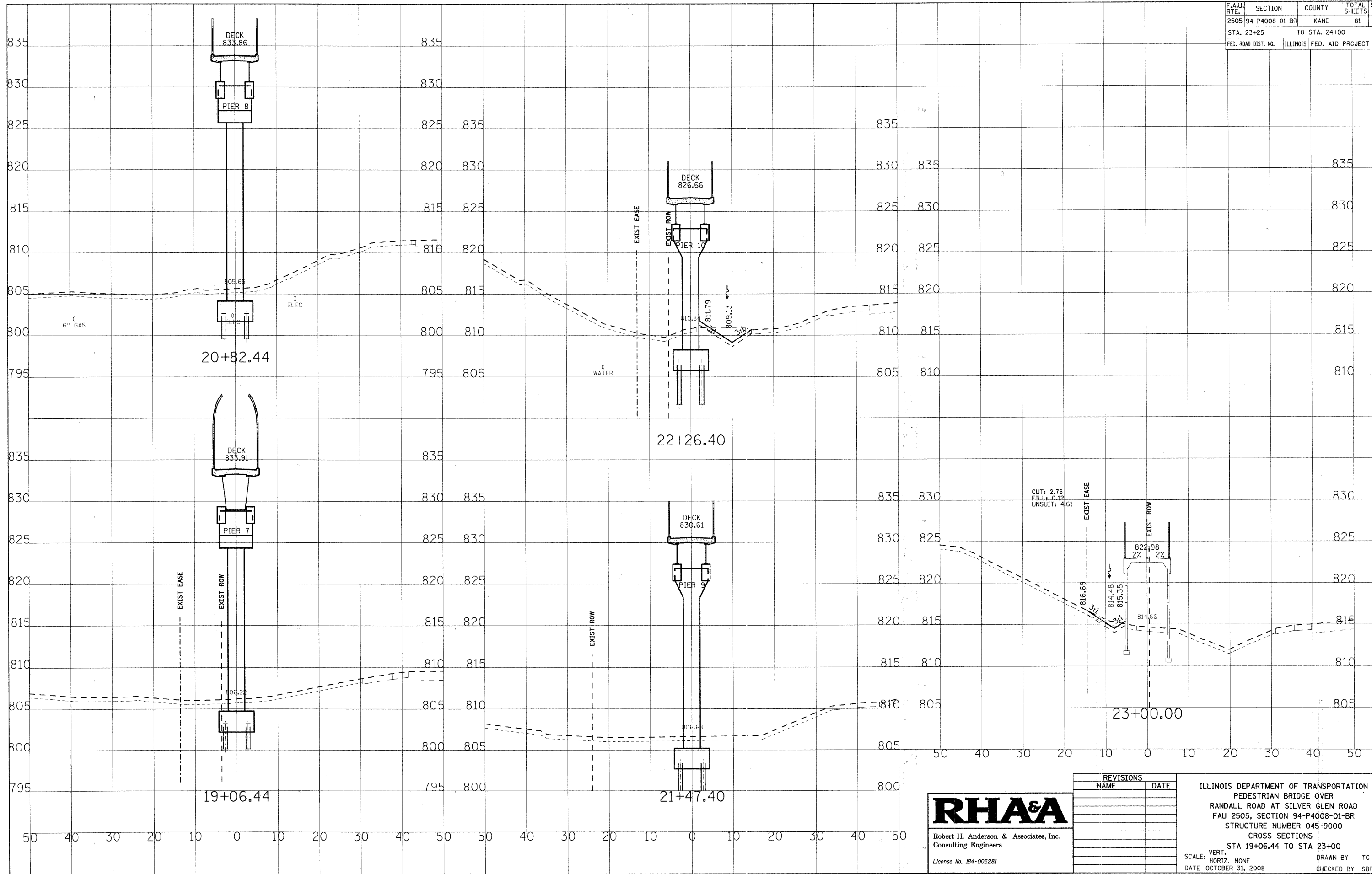


F.A.U. RTE.	SECTION	COUNTY	TOTAL SHEETS	SHEET NO.
2505	94-P4008-01-BR	KANE	81	80
STA. 23+25		TO STA. 24+00		
FED. ROAD DIST. NO.	ILLINOIS	FED. AID PROJECT		



PLOT DATE = 11/11/2008
 PLOT SCALE = NONE
 REFERENCE = NREF

RH&A
 Robert H. Anderson & Associates, Inc.
 Consulting Engineers
 License No. 184-005281

REVISIONS	
NAME	DATE

ILLINOIS DEPARTMENT OF TRANSPORTATION
 PEDESTRIAN BRIDGE OVER
 RANDALL ROAD AT SILVER GLEN ROAD
 FAU 2505, SECTION 94-P4008-01-BR
 STRUCTURE NUMBER 045-9000
 CROSS SECTIONS
 STA 19+06.44 TO STA 23+00
 SCALE: VERT. NONE
 HORIZ. NONE
 DATE OCTOBER 31, 2008
 DRAWN BY TC
 CHECKED BY SBP