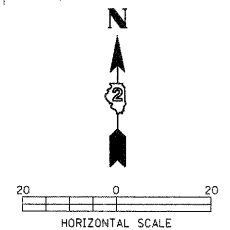


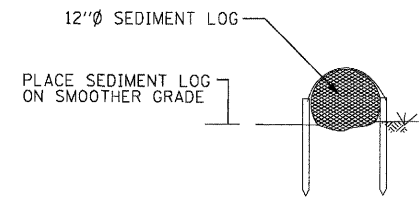
NOTE:  
SEED ALL DISTURBED AREAS IN ACCORDANCE  
WITH THE LANDSCAPE RESTORATION SPECIAL PROVISION.

STONE RIPRAP CLASS A5  
PROPOSED PRECAST BOX CULVERT

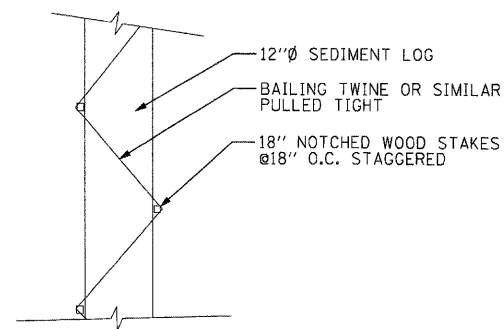


**LEGEND**

- PERIMETER EROSION BARRIER
- RR5 RIPRAP
- EROSION CONTROL BLANKET
- TEMPORARY DITCH CHECK
- FLOWLINE

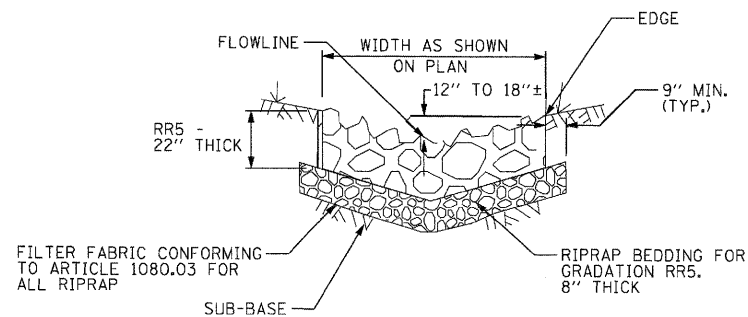


CROSS SECTION

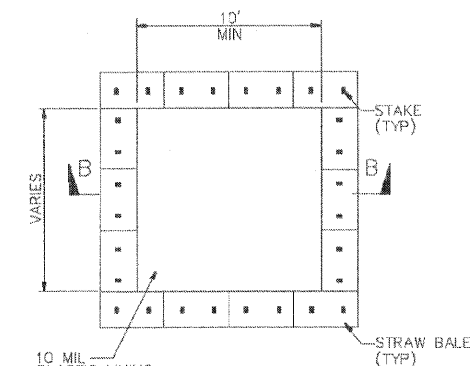


PLAN VIEW

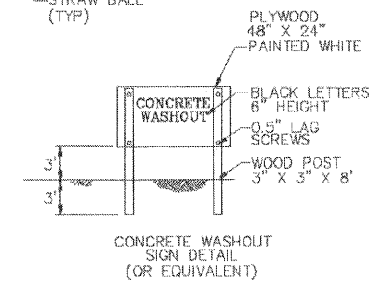
PERIMETER EROSION BARRIER  
TEMPORARY DITCH CHECK DETAIL



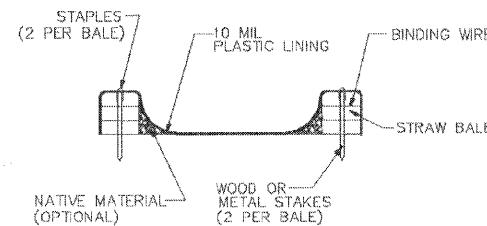
RIPRAP DETAIL



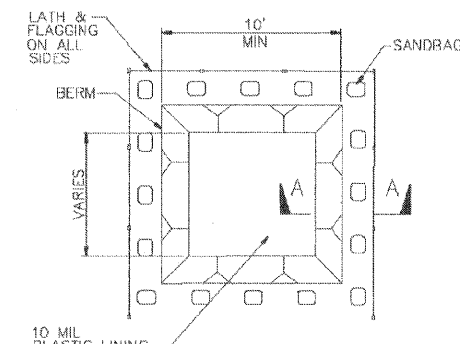
PLAN  
NOT TO SCALE  
TYPE "ABOVE GRADE"  
WITH STRAW BALES



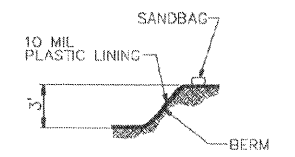
CONCRETE WASHOUT  
SIGN DETAIL  
(OR EQUIVALENT)



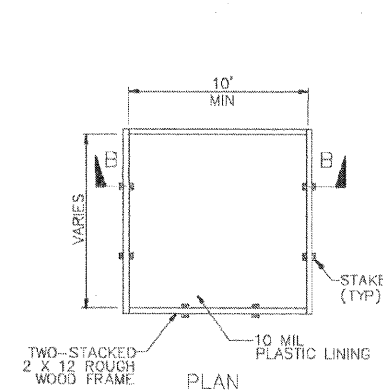
SECTION B-B  
NOT TO SCALE



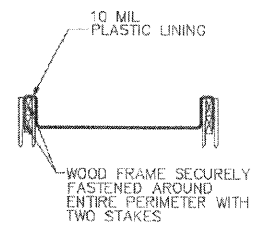
PLAN  
NOT TO SCALE  
TYPE "BELOW GRADE"



SECTION A-A  
NOT TO SCALE



PLAN  
NOT TO SCALE  
TYPE "ABOVE GRADE"



SECTION B-B  
NOT TO SCALE

- NOTES**
- ACTUAL LAYOUT DETERMINED IN FIELD.
  - THE CONCRETE WASHOUT SIGN SHALL BE INSTALLED WITHIN 30 FT. OF THE TEMPORARY CONCRETE WASHOUT FACILITY.

CONCRETE TRUCK WASHOUT DETAIL



FILE NAME = USER NAME = MWH DESIGNED - CRC REVISED -  
 DRAWN - MWH DRAWN - MWH DRAWN - MWH DRAWN - MWH  
 CHECKED - DPA CHECKED - DPA CHECKED - DPA CHECKED - DPA  
 PLOT DATE = 10/16/2008 DATE = 10/17/08 DATE = 10/17/08 DATE = 10/17/08  
 I:\08\jobs\08L20031\ADD\Road\Sheet\C-102-ECP.dgn

FILE NAME =	USER NAME = MWH	DESIGNED - CRC	REVISED -
I:\08\jobs\08L20031\ADD\Road\Sheet\C-102-ECP.dgn		DRAWN - MWH	REVISED -
		CHECKED - DPA	REVISED -
		DATE - 10/17/08	REVISED -

**STATE OF ILLINOIS  
DEPARTMENT OF TRANSPORTATION**

**ORTH ROAD BOX CULVERT  
EROSION CONTROL PLAN**

SCALE: AS SHOWN SHEET NO. OF SHEETS STA. TO STA.

F.A. RTE. 5208	SECTION 07-00081-0-BR	COUNTY BOONE	TOTAL SHEETS 12	SHEET NO. 4
FED. ROAD DIST. NO. [ILLINOIS] FED. AID PROJECT		CONTRACT NO.		