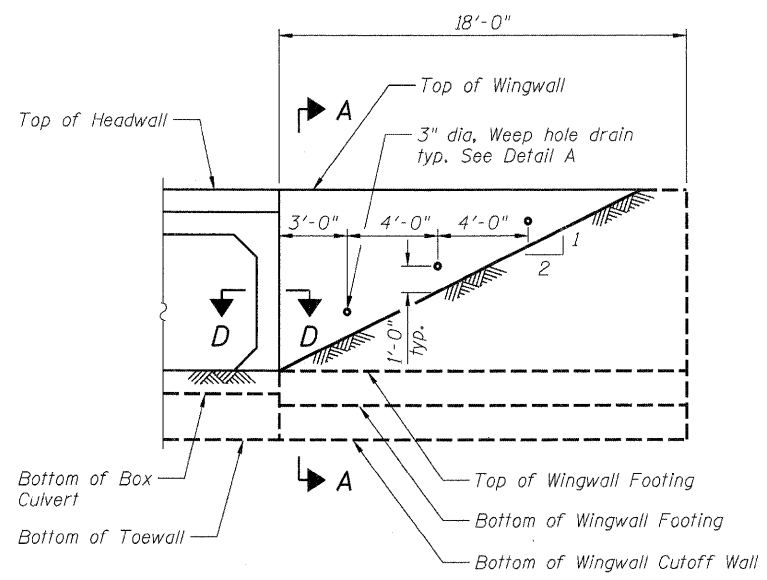
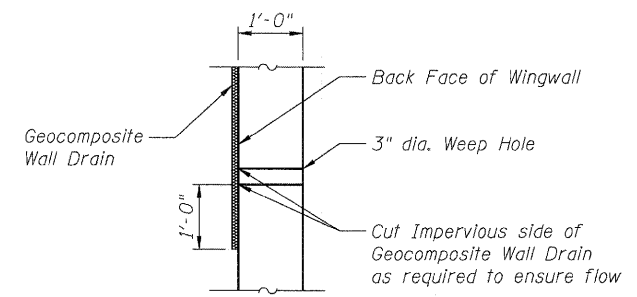


SECTION A-A
WINGWALL SECTION

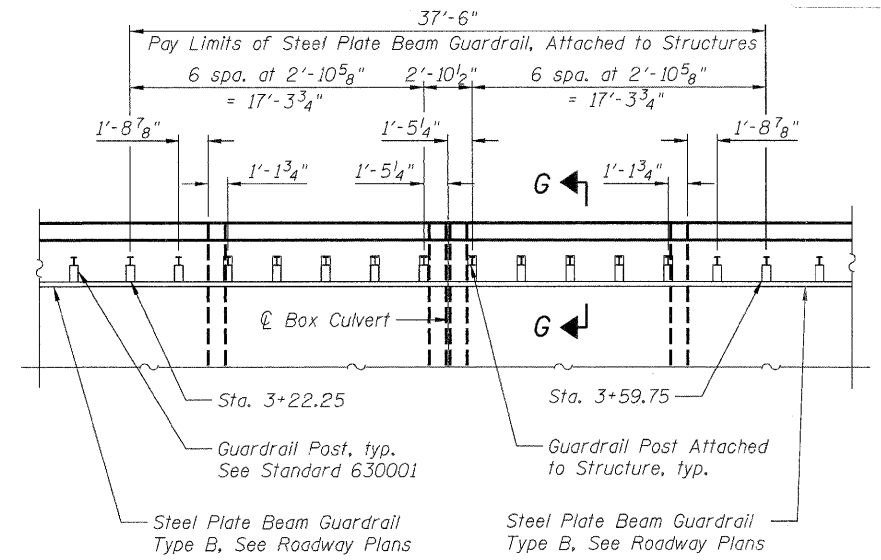
* Included in the cost of Porous Granular Backfill
 ** Payment limits of Porous Granular Backfill
 Note: Cost of Structure Excavation for Wingwall footing included in Box Culvert Wingwall



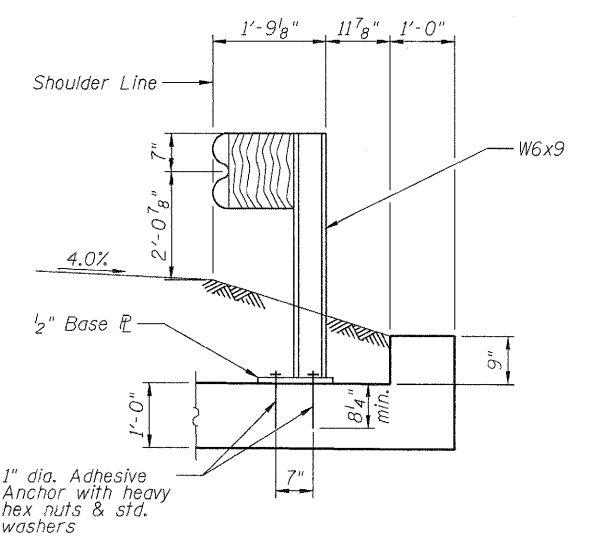
SECTION B-B
WINGWALL ELEVATION
(Riprap not shown for clarity)



DETAIL A
WEEP HOLE DRAIN



GUARDRAIL LAYOUT PLAN
(North Guardrail Shown, South Guardrail Similar)



SECTION G-G

See Standard 630101 for dimensions and details not shown

Corporate License Number 184-001-084

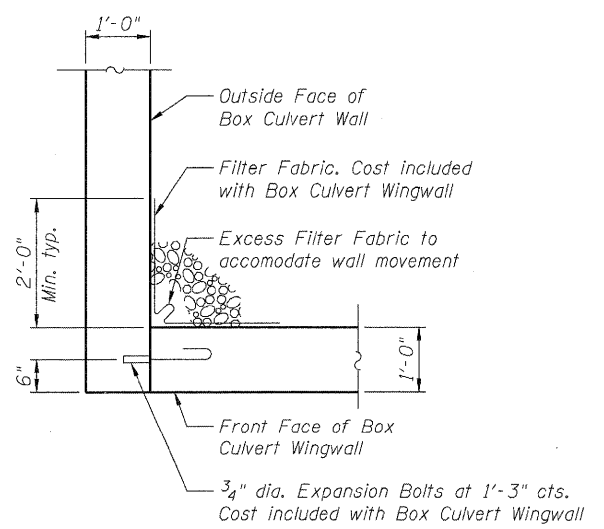
DETAILS

ORTH ROAD BOX CULVERT
OVER BRANCH OF BEAVER CREEK
FAU 5208
SECTION 07-00081-00-BR
BOONE COUNTY, ILLINOIS
STATION 3+41
STRUCTURE NO. 004-5013

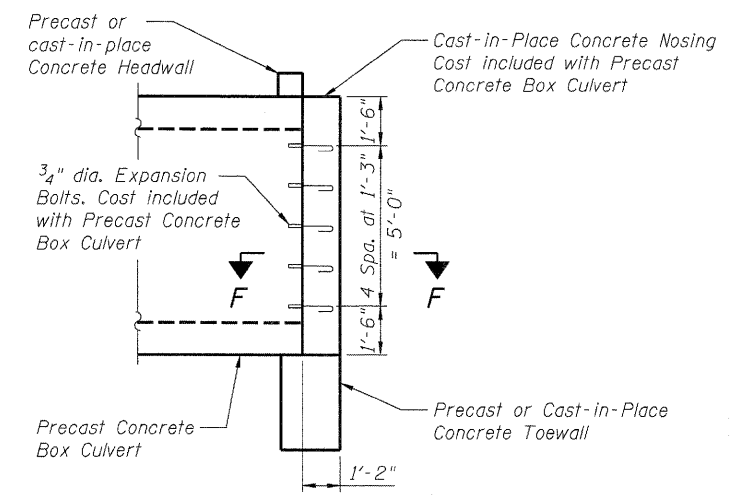
© Copyright Hanson Professional Services Inc. 2008



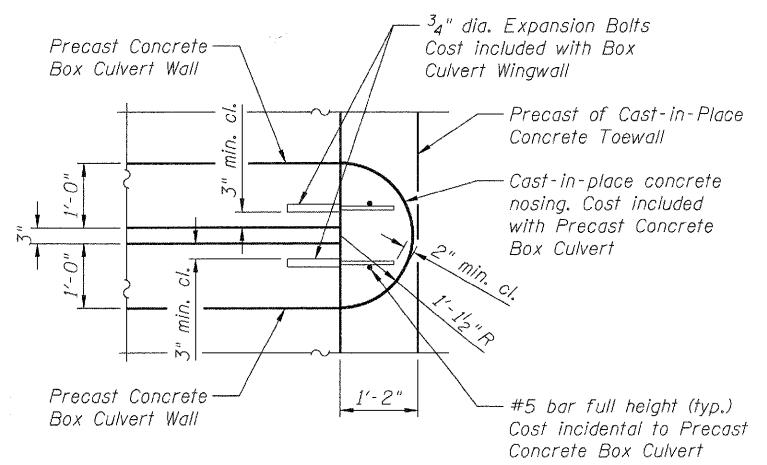
JOB NO.
08L0031
DATE
10/17/08



SECTION D-D
WINGWALL CONNECTION TO BOX CULVERT



SECTION E-E
NOSING CONNECTION TO BOX CULVERT



SECTION F-F
CONCRETE NOSING PLAN

11/5/03 AM
 10/16/2008
 A:\08 jobs\081003\CONCADD\Struct\Sheet\5-002-DET.ALS.dgn
 LAYOUT JKR 10/17/08
 DRAWN MCM 09/24/08
 REVIEWED JKR 09/24/08