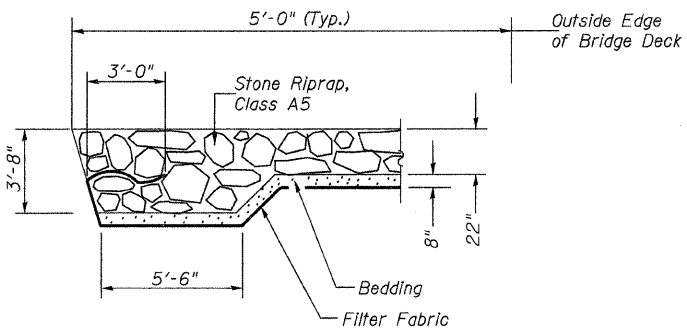


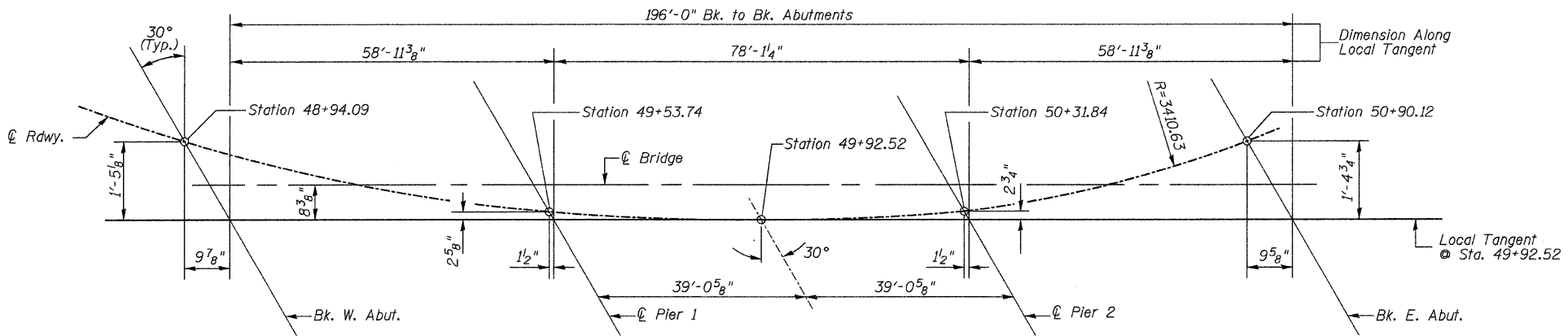
STONE RIPRAP DETAIL



SECTION A-A

GENERAL NOTES

The Contractor shall drive test piles to 110% of the nominal required bearing specified in production locations at the substructures specified or approved by the Engineer before ordering the remainder of the piles.
 For Soil Boring Logs, See Special Provisions.
 A Corrosion Inhibitor shall be used in the concrete for Precast Prestressed Concrete Deck Beams according to Article 1020.05(b)(12) of the Standard Specifications.
 Reinforcement Bars shall conform to the requirements of ASTM A706 Grade 60. See Special Provisions.
 Reinforcement Bars designated (E) shall be epoxy coated.
 Layout of the slope protection system may be varied in the field to suit ground conditions as directed by the Engineer.
 The existing structural steel coating may contain lead. The contractor should take appropriate precautions to deal with the presence of lead on this project.
 The top surface of the beams shall be finished according to the IDOT Manual for Fabrication of Precast Prestressed Concrete Products.



OFFSET SKETCH
(Tangent to \varnothing Rdwy. at Sta. 49+92.52)

TOTAL BILL OF MATERIAL

ITEM	UNIT	SUPER	SUB	TOTAL
Channel Excavation	CU YD	—	1,040	1,040
Stone Riprap, Class A5	TON	—	1,195	1,195
Filter Fabric	SQ YD	—	1,160	1,160
① Removal of Existing Structures	EACH	—	—	1
Structure Excavation	CU YD	—	135	135
Concrete Structures	CU YD	—	236.6	236.6
① Precast Prestressed Concrete Deck Beams (27" Depth)	SQ FT	3,779	—	3,779
① Precast Prestressed Concrete Deck Beams (33" Depth)	SQ FT	2,574	—	2,574
① Reinforcement Bars	POUND	—	16,410	16,410
Steel Railing, Type SM	FOOT	390	—	390
Furnishing Steel Piles HP12x53	FOOT	—	2,140	2,140
Driving Piles	FOOT	—	2,140	2,140
Test Pile Steel HP12x53	EACH	—	4	4
Concrete Encasement	CU YD	—	11.9	11.9
Name Plates	EACH	—	—	1
Waterproofing Membrane System	SQ YD	707	—	707
Portland Cement Mortar Fairing Course	FOOT	500	—	500
Hot-Mix Asphalt Surface Course, Mix "C", N50	TON	84	—	84
① Slope Wall Removal	SQ YD	—	525	525
Bar Splacers	EACH	—	78	78
① Underwater Structure Excavation Protection-Location 1 (Pier #1)	EACH	—	1	1
① Underwater Structure Excavation Protection-Location 2 (Pier #2)	EACH	—	1	1

① See Special Provisions

**GENERAL PLAN DETAILS,
GENERAL NOTES & BILL OF MATERIALS
COUNTY HIGHWAY 9 OVER
INDIAN CREEK
SEC. 04-00068-00-BR
CASS COUNTY
STATION 49+92.52**