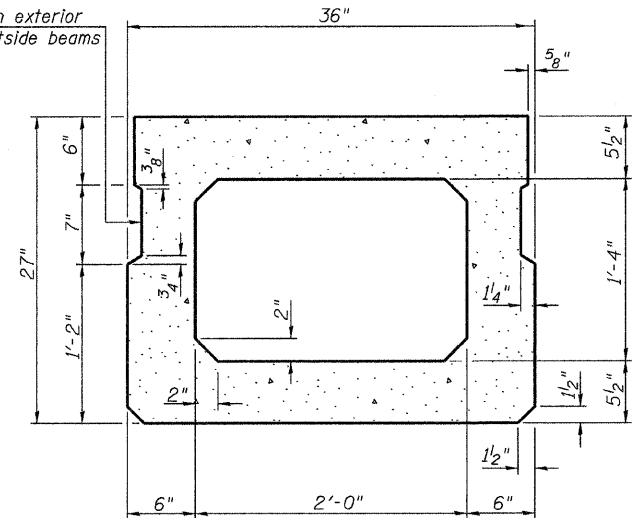
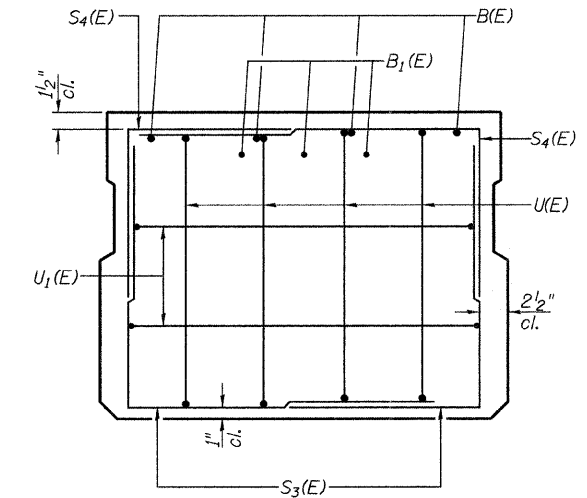


SECTION C-C

**Omit key on exterior face of outside beams

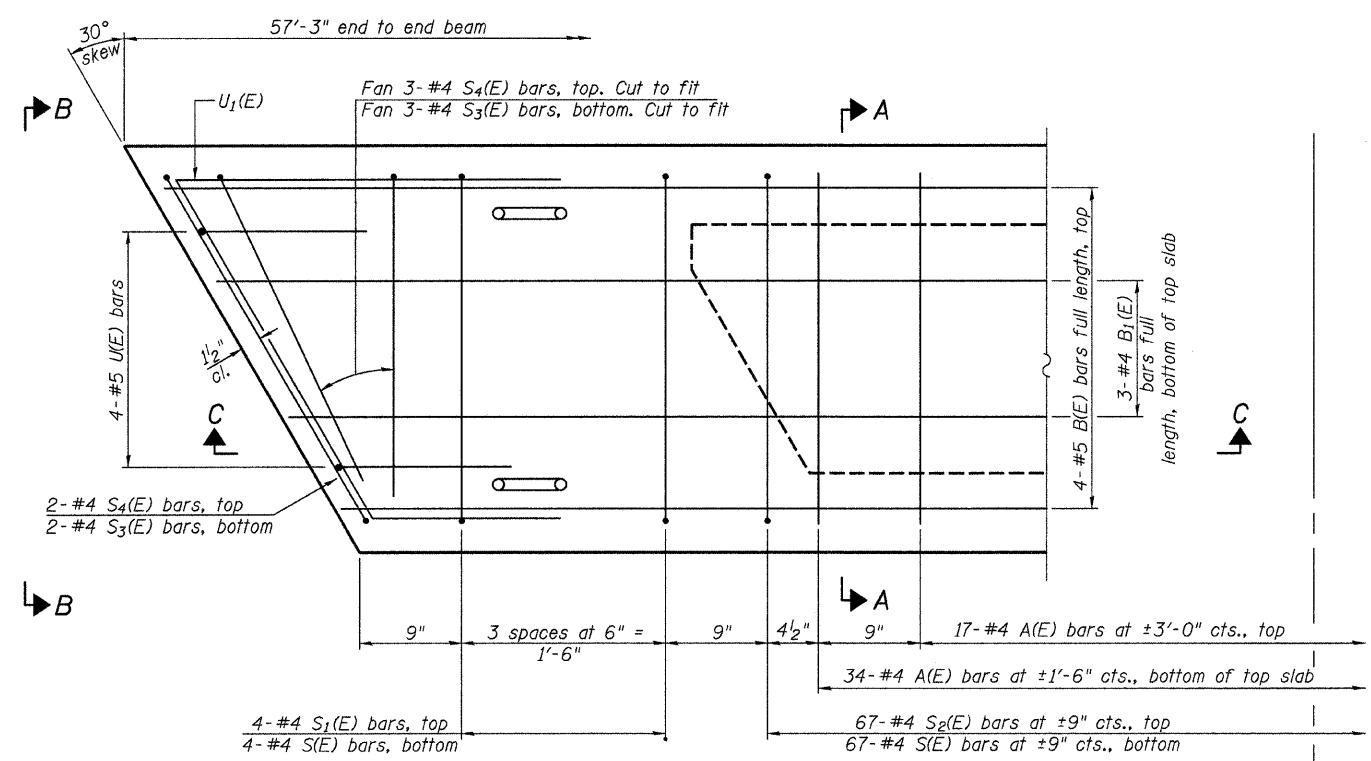


SECTION A-A
(Showing dimensions)

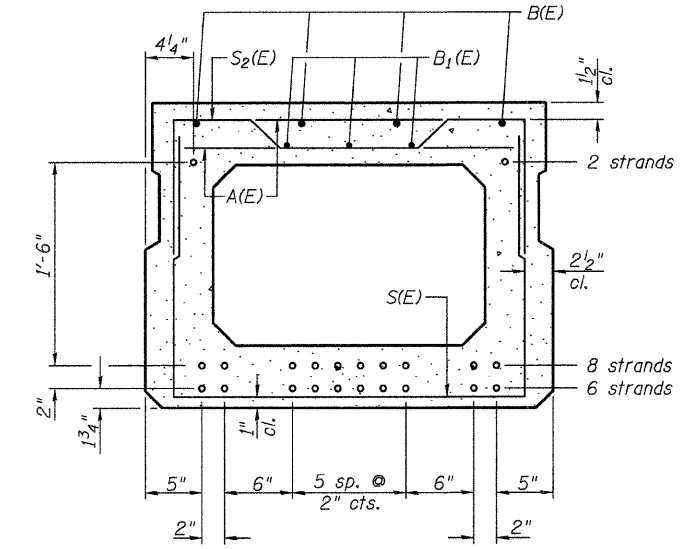


VIEW B-B

**Rail post anchor devices (Sheet 7 of 12) to be cast into exterior face of outside beams.



PLAN VIEW



SECTION A-A
16-1/2" Strands Each Strand Stressed to 30,900 Lbs.
6-Strands 1 3/4" up, 8-Strands 3 3/4" up, 2-Strands 1'-9 3/4" up

Note: Place the number of strands specified in each row symmetrically about the centerline of beam in the permissible strand locations shown.

BAR LIST
ONE BEAM ONLY
(For information only)

Bar	No.	Size	Length	Shape
A(E)	51	#4	2'-7"	—
B(E)	4	#5	*57'-0"	—
B1(E)	3	#4	*57'-0"	—
S(E)	75	#4	6'-5"	┌
S1(E)	8	#4	6'-3"	┌
S2(E)	67	#4	6'-6"	┌
S3(E)	10	#4	4'-8"	┌
S4(E)	10	#4	4'-7"	┌
U(E)	8	#5	4'-6"	┌
U1(E)	4	#4	6'-10"	┌

* Total Length, Lap as necessary

Note: See sheet 3 of 12 for additional details and Bill of Material.

Note: Spacing of S(E) and S2(E) bars may be adjusted up to 4" in the immediate area of the transverse tie diaphragms to miss the block outs for the transverse ties.

SUPERSTRUCTURE DETAILS - SPANS 1 & 3
COUNTY HIGHWAY 9 OVER
INDIAN CREEK
SEC. 04-00068-00-BR
CASS COUNTY
STATION 49+92.52