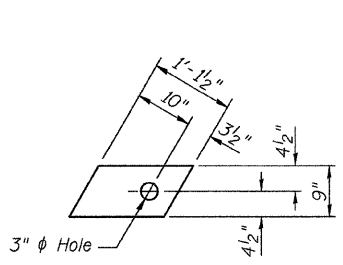
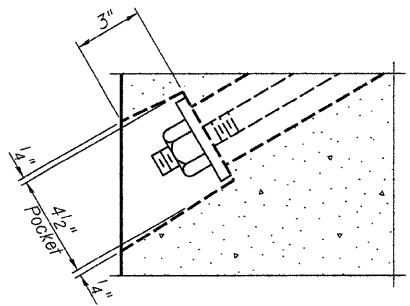


1/2" FABRIC BEARING PAD
(Interior) 20 required

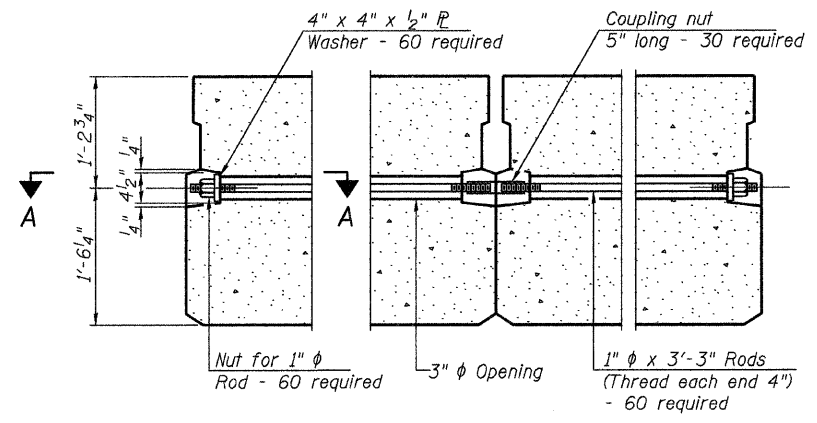


1/2" FABRIC BEARING PAD
(Exterior) 4 required

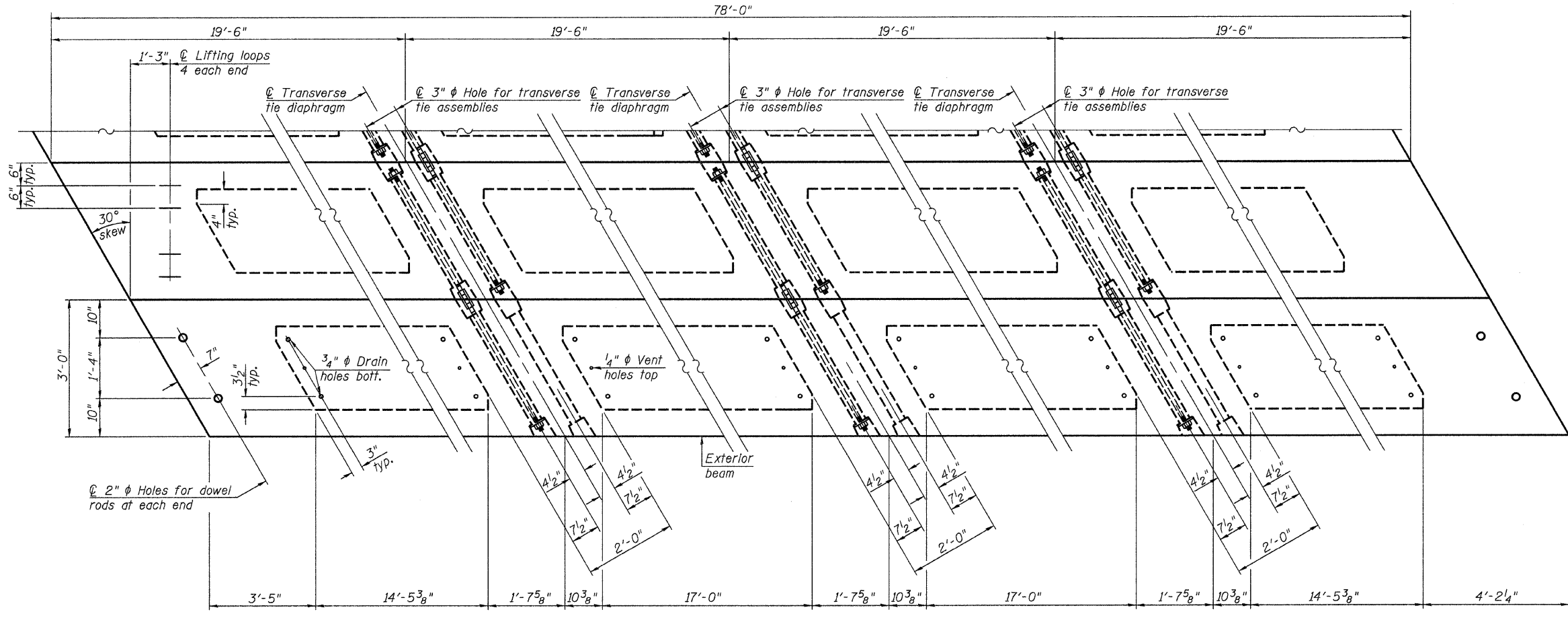
FIXED



SECTION A-A



TYPICAL TRANSVERSE TIE ASSEMBLY



PLAN VIEW

Note: Connect beams in pairs with the transverse tie configuration shown.

NOTES

- Prestressing steel shall be uncoated high strength, low relaxation 7-wire strand, Grade 270. The nominal diameter shall be 1/2" and the nominal cross-sectional area shall be 0.153 sq. in. The 1" ϕ rods in the transverse tie assembly shall be tightened to a snug fit and the threads set. Pockets on exterior faces of bridge shall be filled with grout after transverse tie assembly is in place.
- Reinforcement bars shall conform to ASTM A 706, Grade 60. (See Special Provisions)
- Two 1/8" fabric adjusting shims of the dimensions of the exterior bearing pad shall be provided for each bearing pad location.
- A minimum 2 1/2" ϕ lifting pin shall be used to engage the lifting loops during handling.
- Corrosion Inhibitor, per Article 1020.05(b)(12) and 1021.06 of the Standard Specifications, shall be used in the concrete for precast prestressed concrete deck beams.
- Compressive strength of prestressed concrete, f'_c , shall be 6000 psi.
- Compressive strength of prestressed concrete at release, f'_{ci} , shall be 5000 psi.

BILL OF MATERIAL - SPAN 2

ITEM	UNIT	QUANTITY
Precast Prestressed Concrete Deck Beams (33" Depth)	SQ FT	2,574

SUPERSTRUCTURE - SPAN 2
COUNTY HIGHWAY 9 OVER
INDIAN CREEK
SEC. 04-00068-00-BR
CASS COUNTY
STATION 49+92.52