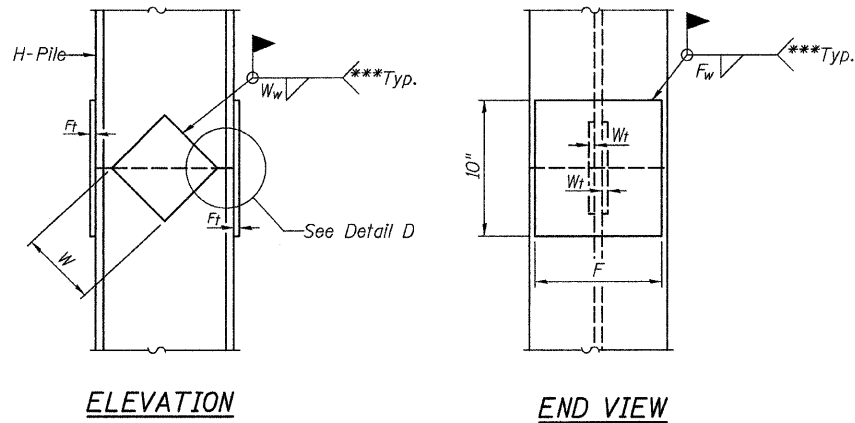


**STEEL PILE TABLE**

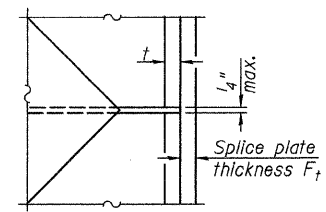
Designation	Depth d	Flange width b <sub>f</sub>	Web and Flange thickness t	Encasement diameter A
HP 14x117	14 1/4"	14 7/8"	13/16"	30"
x102	14"	14 3/4"	1/16"	30"
x89	13 7/8"	14 3/4"	5/8"	30"
x73	13 5/8"	14 5/8"	1/2"	30"
HP 12x84	12 1/4"	12 1/4"	1/16"	24"
x74	12 1/8"	12 1/4"	5/8"	24"
x63	12"	12 1/8"	1/2"	24"
x53	11 3/4"	12"	7/16"	24"
HP 10x57	10"	10 1/4"	9/16"	24"
x42	9 3/4"	10 1/8"	7/16"	24"
HP 8x36	8"	8 1/8"	7/16"	18"

Note:  
The steel H-piles shall be according to AASHTO M270 Grade 50.



**ELEVATION**

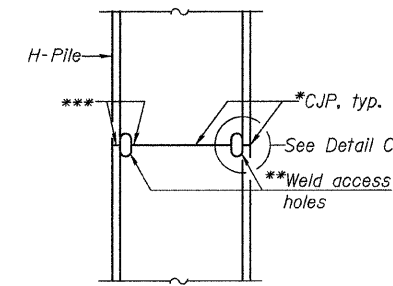
**END VIEW**



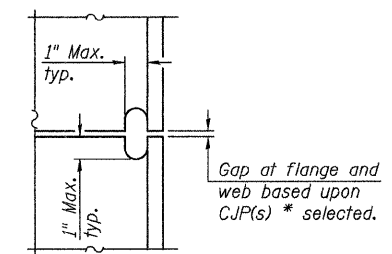
**DETAIL D**

Designation	F	F <sub>t</sub>	F <sub>w</sub>	W	W <sub>t</sub>	W <sub>w</sub>
HP 14x117	12 1/2"	1"	7/8"	7 3/4"	5/8"	1/2"
x102	12 1/2"	7/8"	3/4"	7 3/4"	5/8"	1/2"
x89	12 1/2"	3/4"	11/16"	7 3/4"	5/8"	1/2"
x73	12 1/2"	5/8"	9/16"	7 3/4"	5/8"	1/2"
HP 12x84	10"	7/8"	1/16"	6 1/2"	5/8"	1/2"
x74	10"	7/8"	1/16"	6 1/2"	5/8"	1/2"
x63	10"	5/8"	1/2"	6 1/2"	1/2"	3/8"
x53	10"	5/8"	1/2"	6 1/2"	1/2"	3/8"
HP 10x57	8"	3/4"	9/16"	5 1/4"	1/2"	3/8"
x42	8"	5/8"	9/16"	5 1/4"	1/2"	3/8"
HP 8x36	7"	5/8"	7/16"	4 1/4"	1/2"	3/8"

**WELDED PLATE FIELD SPLICE**



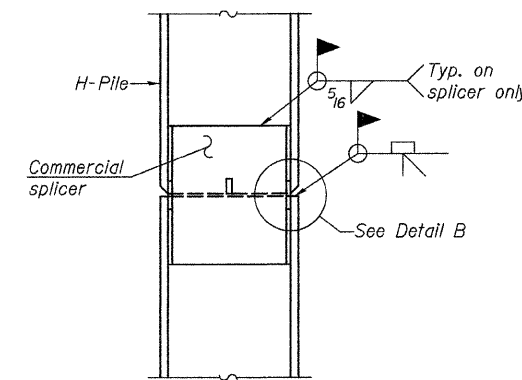
**ELEVATION**



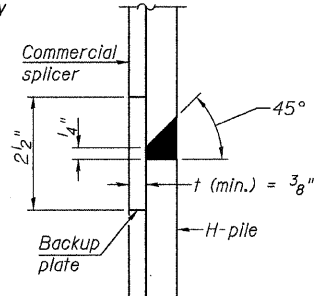
**DETAIL C**

**COMPLETE PENETRATION WELD SPLICE**

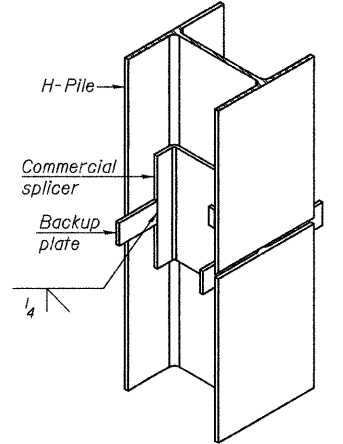
\*Use joint conforming to Figure 3.4 in AWS D1.1, Structure Welding Code - Steel.  
 \*\*Preparation per Fig. 5.2 in AWS D1.1, Structure Welding Code - Steel.  
 \*\*\*Interrupt welds 1/4" from end of each pile.



**ELEVATION**

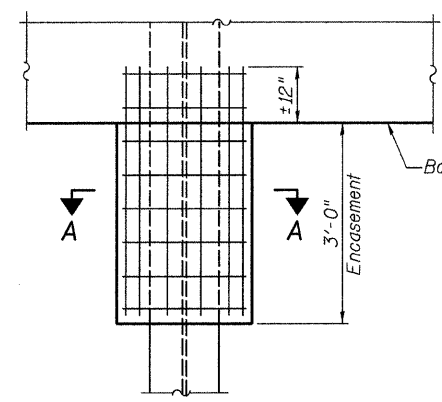


**DETAIL "B"**

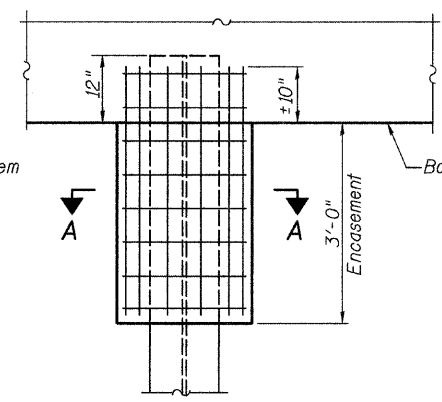


**ISOMETRIC VIEW**

**WELDED COMMERCIAL SPLICE**

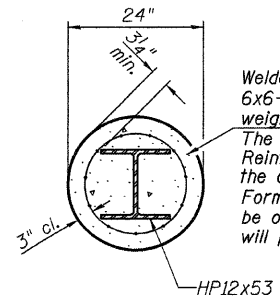


**PIER ELEVATION**



**ABUTMENT ELEVATION**

**PILE ENCASEMENT**



**SECTION A-A**

Welded wire fabric  
6x6-W4.0xW4.0  
weighing 58#/100 sq. ft.  
The cost of Excavation and Reinforcement is included with the cost of Concrete Encasement.  
Forms for encasement may be omitted when soil conditions will permit.

**PILE DETAILS**  
**COUNTY HIGHWAY 9 OVER**  
**INDIAN CREEK**  
**SEC. 04-00068-00-BR**  
**CASS COUNTY**  
**STATION 49+92.52**