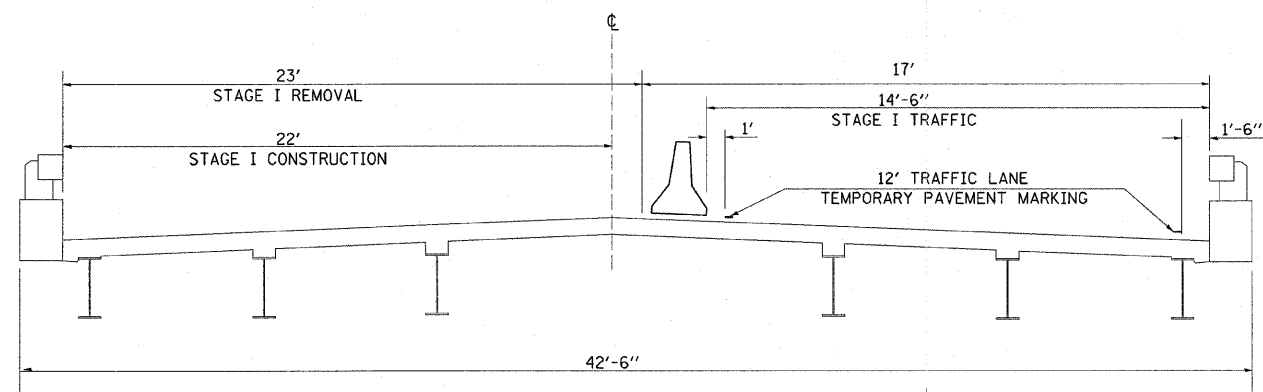
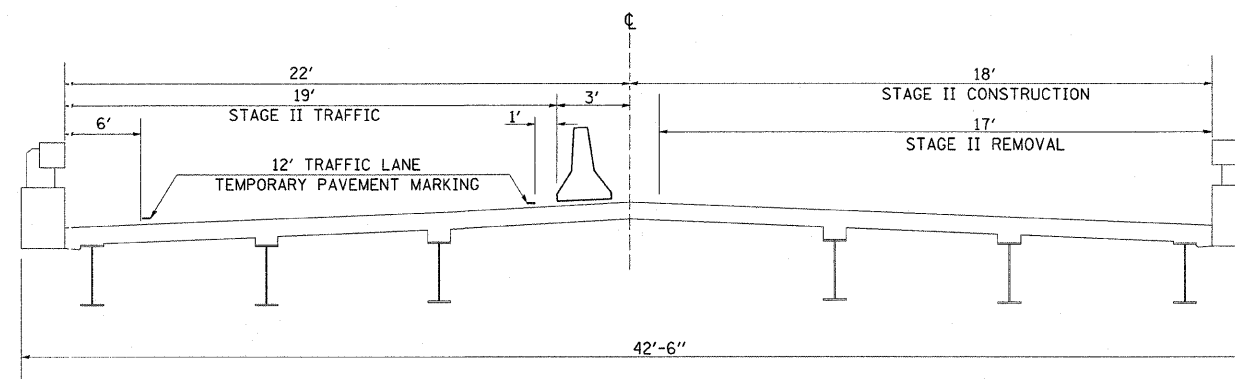


STAGE I CONSTRUCTION

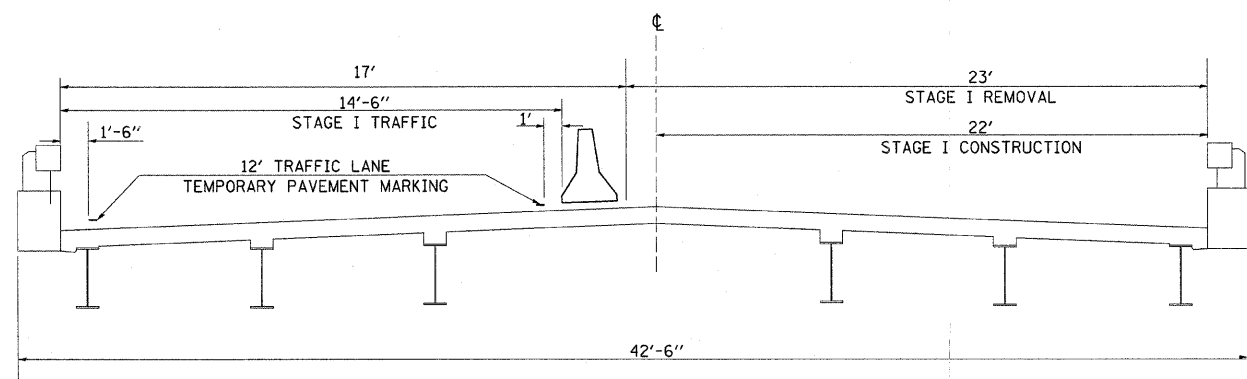


STAGE II CONSTRUCTION

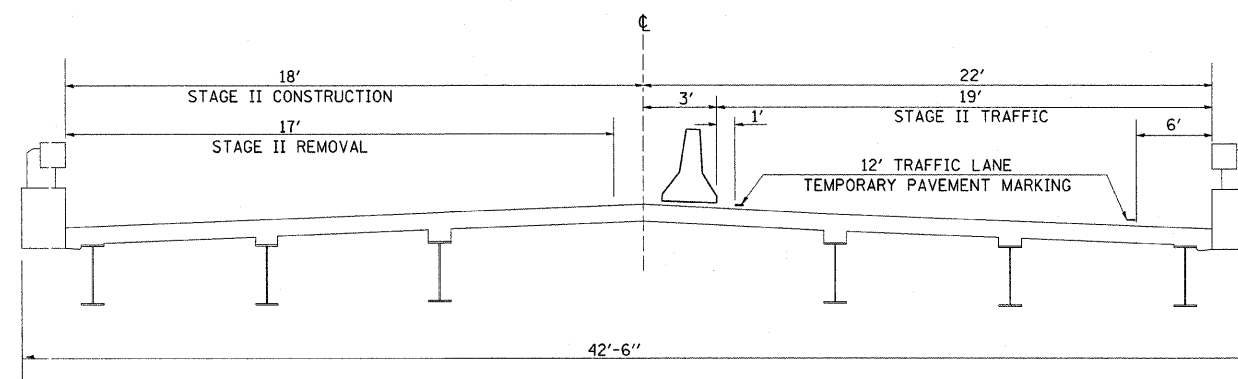


(LOOKING EAST)
STR # 026-0004

STAGE I CONSTRUCTION



STAGE II CONSTRUCTION



(LOOKING EAST)
STR # 026-0003

NOTE:
TYPICALS NOT DRAWN TO SCALE

• D-7 BRIDGE DECK REPAIRS

FILE NAME =	USER NAME = swartzw	DESIGNED -	REVISED -	STATE OF ILLINOIS DEPARTMENT OF TRANSPORTATION	STRUCTURE STAGING TYPICAL			F.A.I. RTE.	SECTION	COUNTY	TOTAL SHEETS	SHEET NO.
c:\pw_work\pwork\swartzw\dms50711\shhtp\picels_94993.dgn	DRAWN -	REVISED -	70					•	FAYETTE	59	6	
PLOT SCALE = 50.0000' / IN.	CHECKED -	REVISED -	CONTRACT NO. 94993									
PLOT DATE = 10/17/2009	DATE -	REVISED -	SCALE: NA		SHEET NO. 1 OF 2 SHEETS	STA. TO STA.	FED. ROAD DIST. NO.	ILLINOIS FED. AID PROJECT				