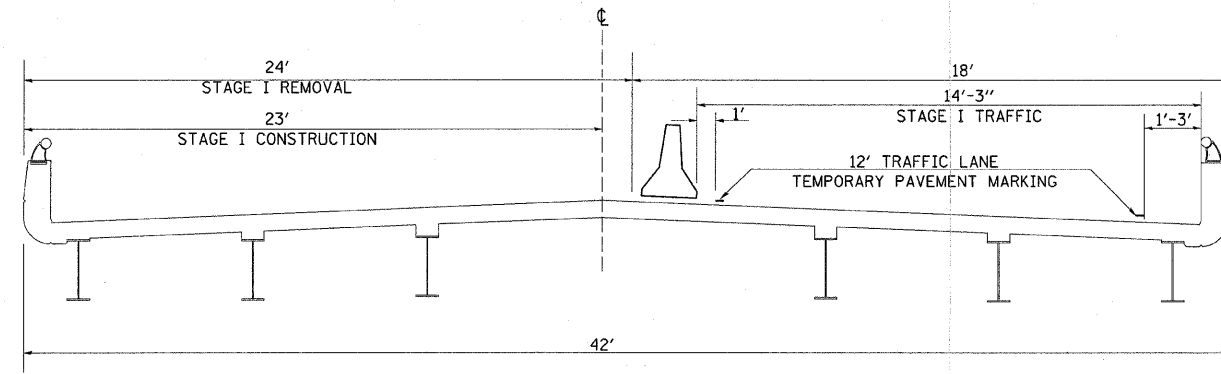
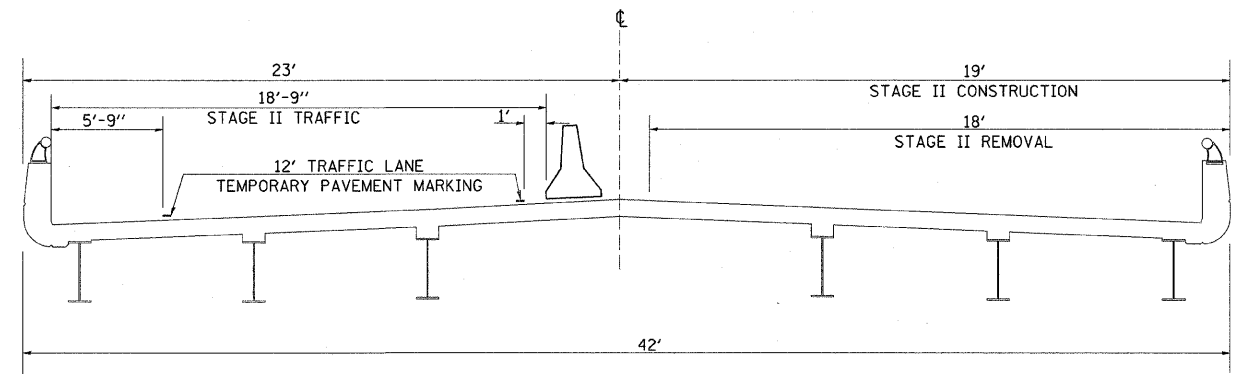


### STAGE I CONSTRUCTION



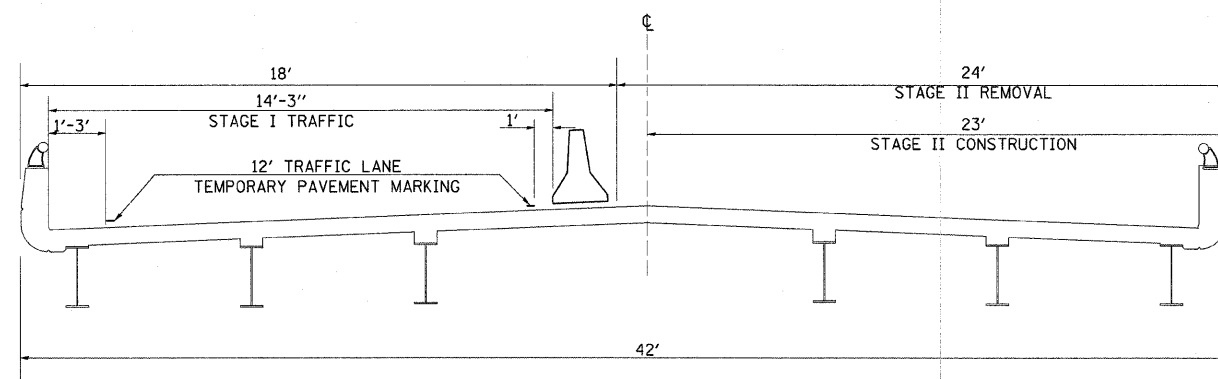
### STAGE II CONSTRUCTION



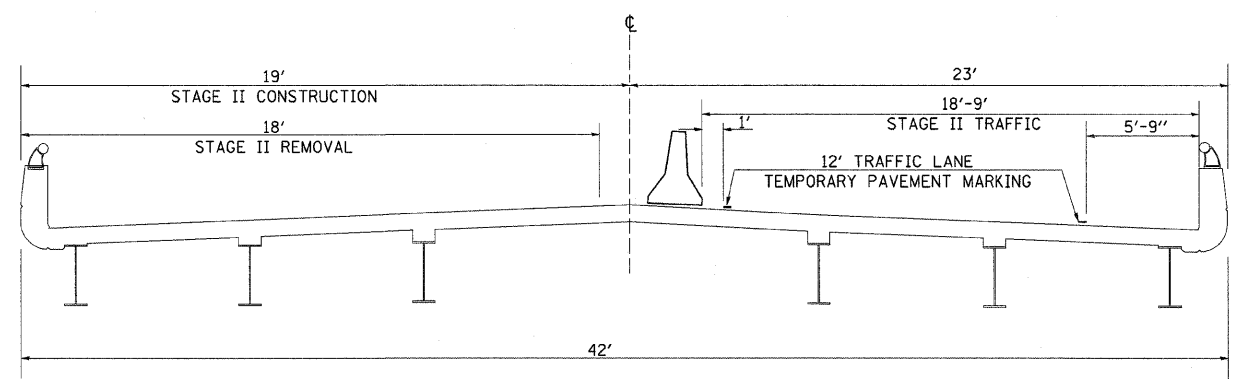
(LOOKING EAST)

STR # 026-0006  
 STR # 026-0008  
 STR # 026-0010

### STAGE I CONSTRUCTION



### STAGE II CONSTRUCTION



(LOOKING EAST)

STR # 026-0005  
 STR # 026-0007  
 STR # 026-0009

NOTE:  
 TYPICALS NOT DRAWN TO SCALE

• D-7 BRIDGE DECK REPAIRS

FILE NAME =	USER NAME = swartzw	DESIGNED -	REVISED -	<b>STATE OF ILLINOIS DEPARTMENT OF TRANSPORTATION</b>	<b>STRUCTURE STAGING TYPICAL</b>			F.A.I. RTE.	SECTION	COUNTY	TOTAL SHEETS	SHEET NO.
c:\pw_work\pwidot\swartzw\dms50711\shhtpicals_94993.dgn	PLLOT SCALE = 50.0000' / IN.	DRAWN -	REVISED -		SCALE: NA	SHEET NO. 2 OF 2 SHEETS	STA.	70	•	FAYETTE	59	7
PLLOT DATE = 10/17/2008	DATE -	CHECKED -	REVISED -					CONTRACT NO. 94993				
								ILLINOIS FED. AID PROJECT				