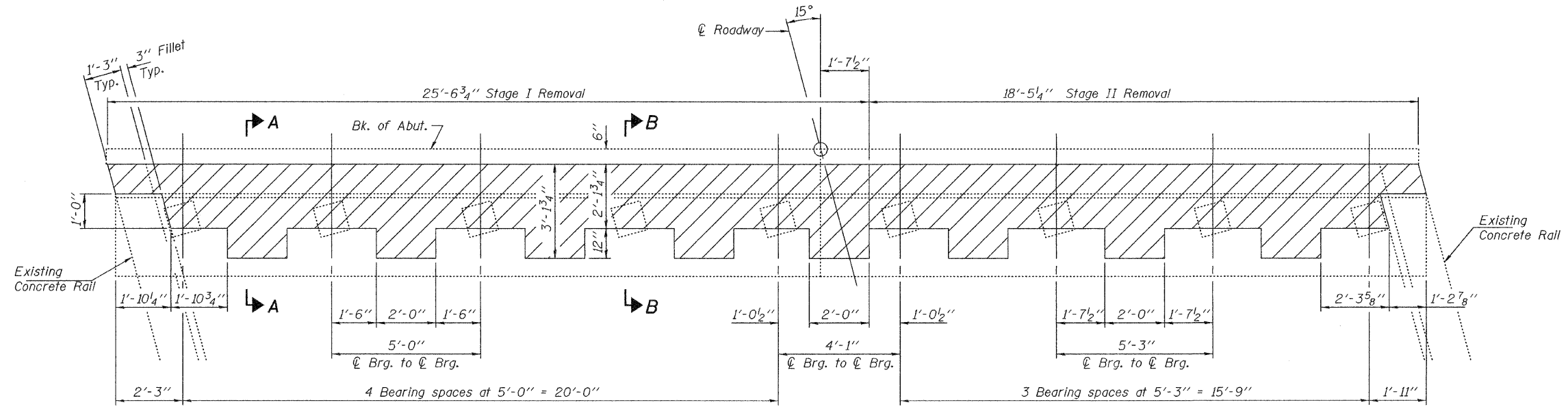


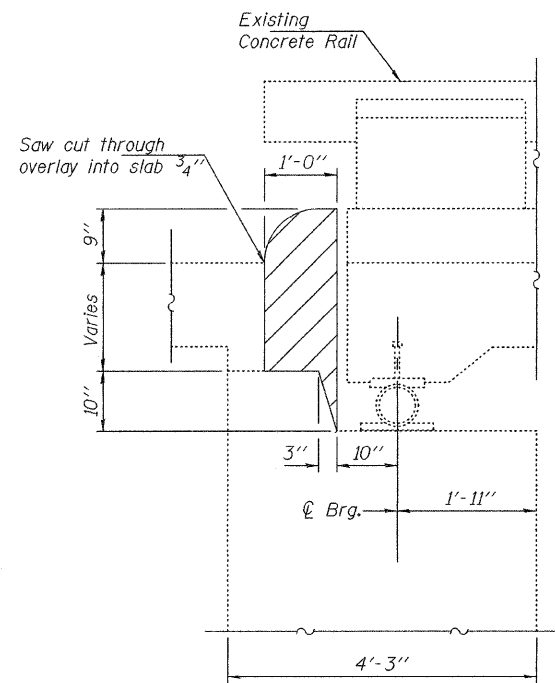
STATE OF ILLINOIS  
DEPARTMENT OF TRANSPORTATION



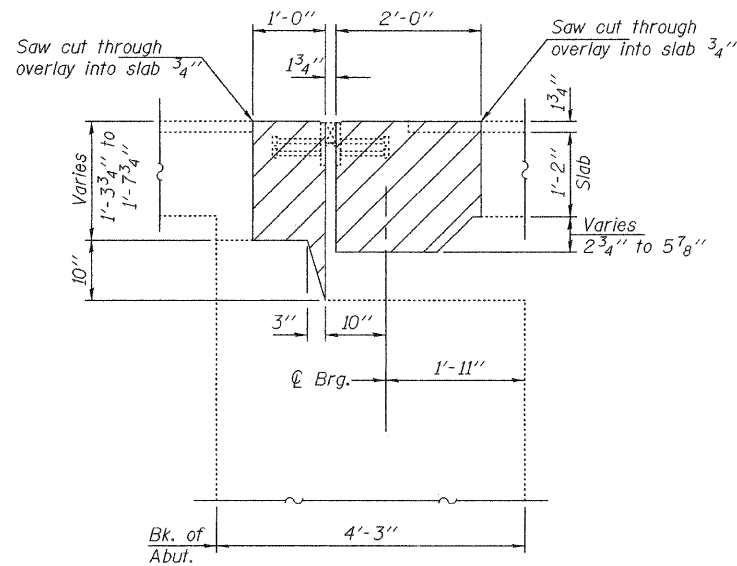
**TYPICAL ABUTMENT PLAN**

Wing Walls not shown for clarity.  
026-0003 W. Abut., 026-0004 E. Abut. shown  
026-0003 E. Abut., 026-0004 W. Abut. similar by 180° rotation

Note:  
Hatched areas indicate Concrete Removal.

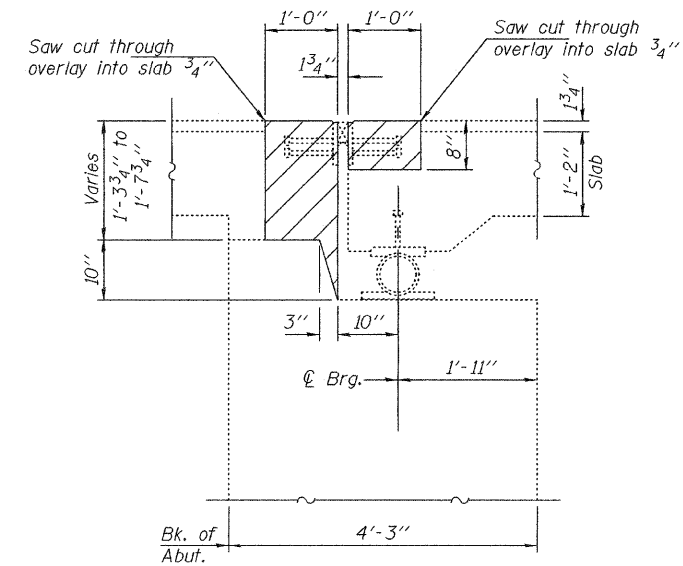


**TYPICAL CURB VIEW**



**SECTION A-A**

Horiz. Dim. at Rt. L's



**SECTION B-B**

Horiz. Dim. at Rt. L's

DESIGNED	AJB
CHECKED	GGE
DRAWN	Kyle M. Steffen
CHECKED	AJB GGE

NOVEMBER 21, 2008

EXAMINED *A. Carl Perry*  
ENGINEER OF STRUCTURAL SERVICES

PASSED *Ralph E. Anderson*  
ENGINEER OF BRIDGES AND STRUCTURES

**REPAIR DETAILS**  
**F.A.I. RTE. 70 OVER LICK CREEK**  
**SN 026-0003 (EB) & 0004 (WB)**

SHEET NO. 3 8 SHEETS	F.A.I. RTE. 70	SECTION -	COUNTY FAYETTE	TOTAL SHEETS 59	SHEET NO. 18
	FED. ROAD DIST. NO. ILLINOIS FED. AID PROJECT			CONTRACT NO. 94993	