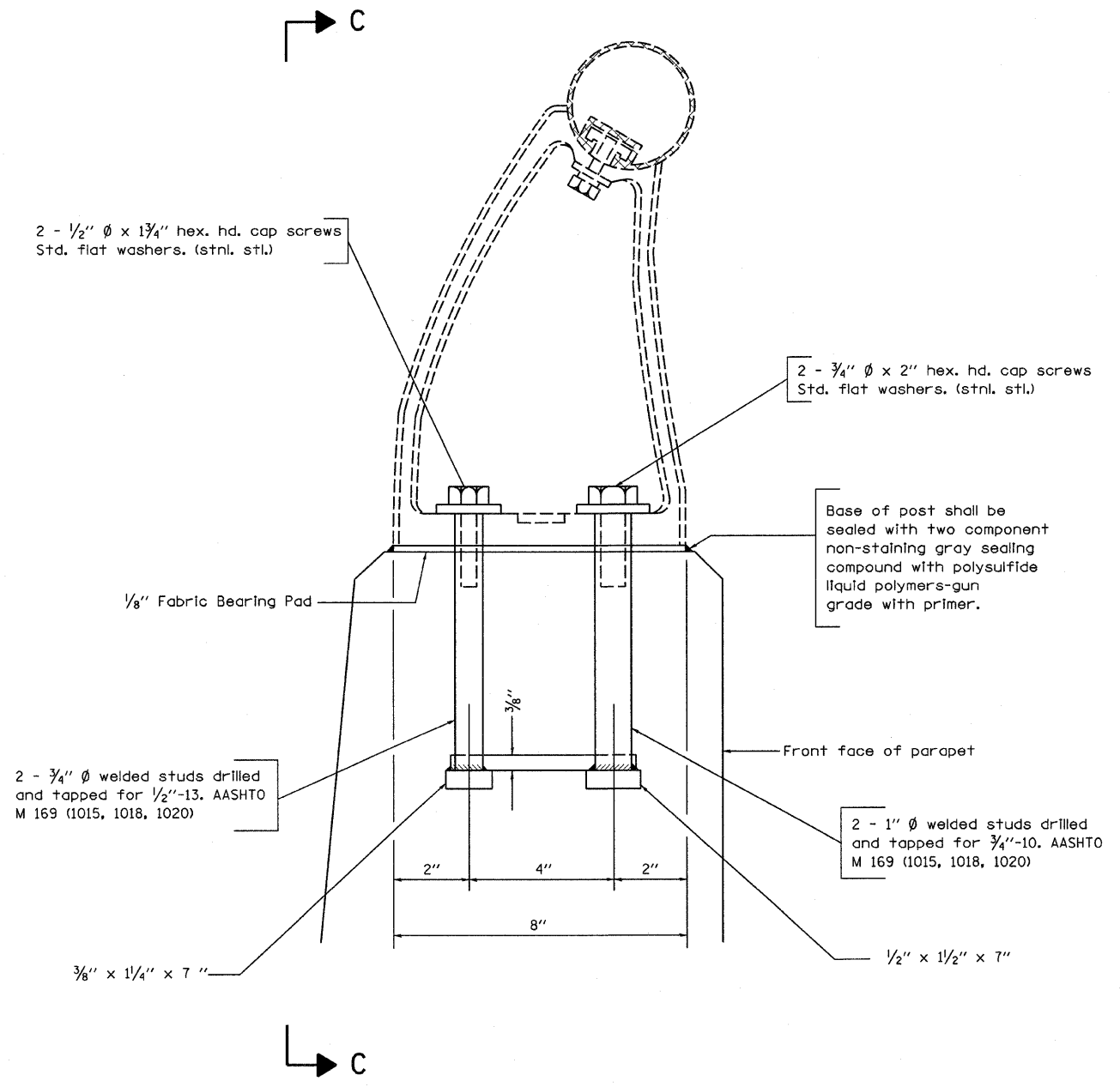


VIEW C-C



Note: New Rail Post anchorage devices will be required at each location where posts are connected to new construction. Cost shall be included with Concrete Superstructure.

FILE NAME =	USER NAME = swartzrw	DESIGNED -	REVISED -	STATE OF ILLINOIS DEPARTMENT OF TRANSPORTATION	RAIL SUPPORT ANCHOR DETAILS SN. 026-0007 AND 026-0008	F.A.I. RTE.	SECTION	COUNTY	TOTAL SHEETS	SHEET NO.
ca:\pwwork\pwwid001\SWARTZRW\dms36208\thel... eledesign_94993.dgn	DESIGNED -	REVISED -	70			D-7 BRIDGE DECK REPAIRS	FAYETTE	59	43	
PLOT SCALE = 20.0000 "/ IN.	CHECKED -	REVISED -	CONTRACT NO. 94993							
PLOT DATE = 10/17/2008	DATE -	REVISED -	FED. ROAD DIST. NO.			ILLINOIS FED. AID PROJECT				

SHEET NO. 10
12 SHEETS

SCALE: N/A SHEET NO. 10 OF 12 SHEETS STA. TO STA.