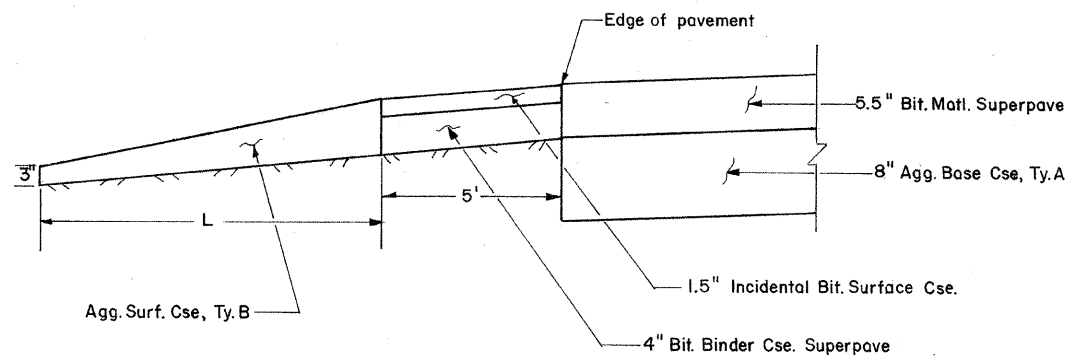


PROPOSED TYPICAL ENTRANCE

FIELD ENTRANCES			
LOCATION	WIDTH "W"	LENGTH "L"	RADIUS "R"
STA 19+10 LT	20	142	10
STA 22+50 RT	16	45	15



SECTION A-A

ENTRANCE QUANTITIES					
LOCATION	INCIDENTAL BITUMINOUS SURFACE	PRIME	AGG PRIME	BITUMINOUS BINDER	AGG SURFACE COURSE TYPE B
Sta. 19+10, LT	2 TON	4 GAL	1 TON	2 TON	118 TON
Sta. 22+50, RT	2 TON	4 GAL	1 TON	2 TON	46 TON
TOTAL	4 TON	8 GAL	2 TON	4 TON	164 TON

SHELBY COUNTY HIGHWAY DEPARTMENT
ENTRANCES
SECTION 04-00256-00-BR