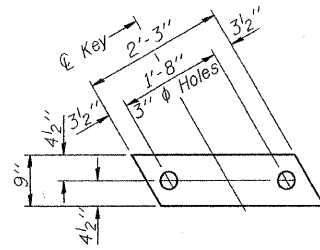


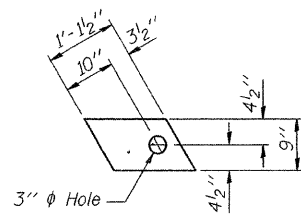
STATE OF ILLINOIS
DEPARTMENT OF TRANSPORTATION

ROUTE NO.	SECTION	COUNTY	TOTAL SHEETS	SHEET NO.	SHEET NO. 6 14 SHEETS
FAS 653	04-00256-00-BR	SHELBY	40	32	
ILLINOIS		FED. AID PROJECT-			

Contract No. 95555



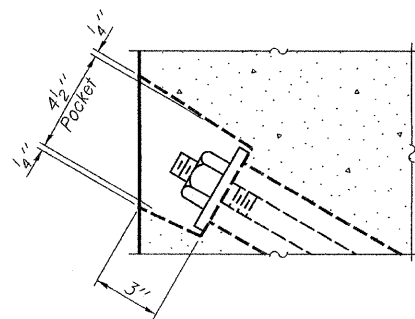
FABRIC BEARING PAD
(Interior)



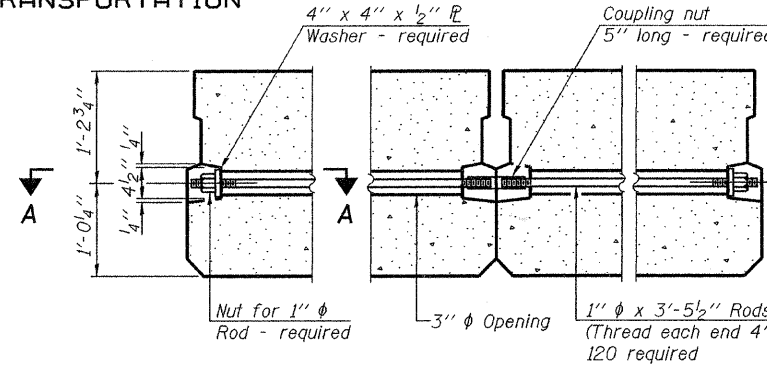
FABRIC BEARING PAD
(Exterior)

FIXED

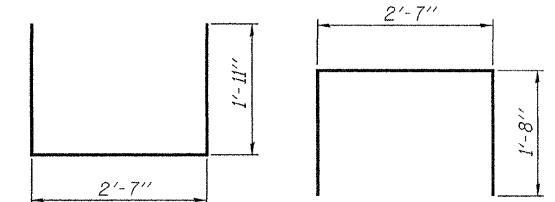
Note: Omit holes when using expansion bearings.



SECTION A-A

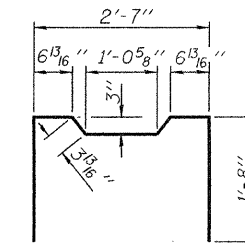


TYPICAL TRANSVERSE TIE ASSEMBLY

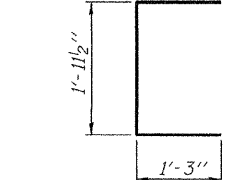


BAR S1(E)

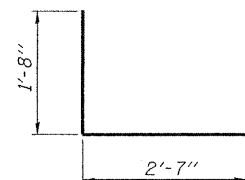
BAR S2(E)



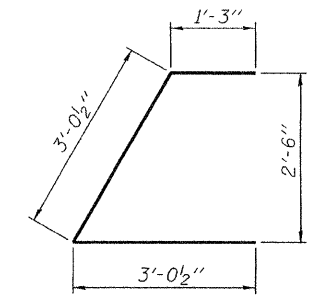
BAR S3(E)



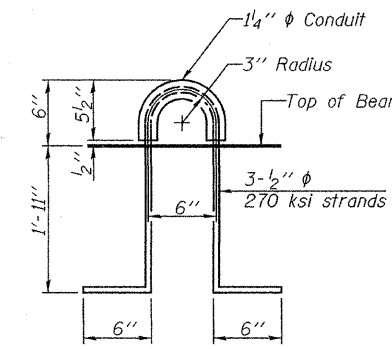
BAR S4(E)



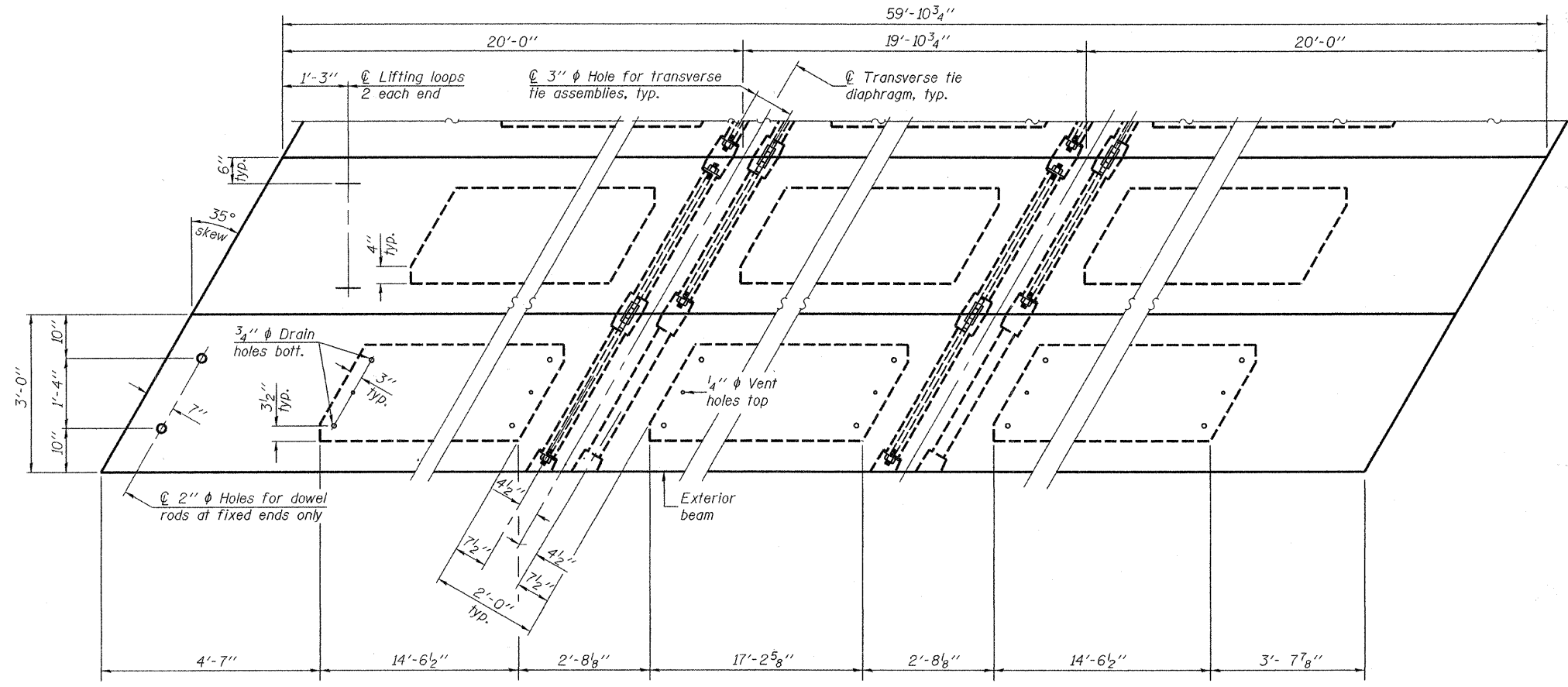
BAR U1(E)



BAR U2(E)



LIFTING LOOP DETAIL



PLAN VIEW

Note: Connect beams in pairs with the transverse tie configuration shown.

NOTES

- Prestressing steel shall be uncoated high strength, low relaxation 7-wire strand, Grade 270. The nominal diameter shall be 1/2" and the nominal cross-sectional area shall be 0.153 sq. in.
- The 1" rods in the transverse tie assembly shall be tightened to a snug fit and the threads set. Pockets on exterior faces of bridge shall be filled with grout after transverse tie assembly is in place.
- Reinforcement bars shall conform to ASTM A 706, Grade 60. (See Special Provisions).
- Two 1/8" fabric adjusting shims of the dimensions of the exterior bearing pad shall be provided for each bearing pad location.
- A minimum 2 1/2" lifting pin shall be used to engage the lifting loops during handling.
- Corrosion Inhibitor, per Article 1020.05(b)(12) and 1021.06 of the Standard Specifications, shall be used in the concrete for precast prestressed concrete deck beams.
- Compressive strength of prestressed concrete, f'c, shall be 6000 psi.
- Compressive strength of prestressed concrete at release, f'ci, shall be 5000 psi.
- The top surface of the beams shall be finished according to the IDOT Manual for fabrication of precast prestressed concrete products.

BILL OF MATERIAL

Precast Prestressed Concrete Deck Beams (27" depth)	Sq. Ft.	5391
---	---------	------

DESIGNED	Jay D. Edwards
CHECKED	Nick R. Barnett
DRAWN	h.t. duong
CHECKED	JDE/NRB/GRA

Sep. 4, 2008
 EXAMINED *Thomas J. Damagala*
 ENGINEER OF BRIDGE DESIGN
 PASSED *Ralph E. Anderson*
 ENGINEER OF BRIDGES AND STRUCTURES

27" x 36" PPC DECK BEAM DETAILS
F.A.S. RTE. 653 - SEC. 04-00256-00-BR
SHELBY COUNTY
STATION 21+06.00
STRUCTURE NO. 087-3563