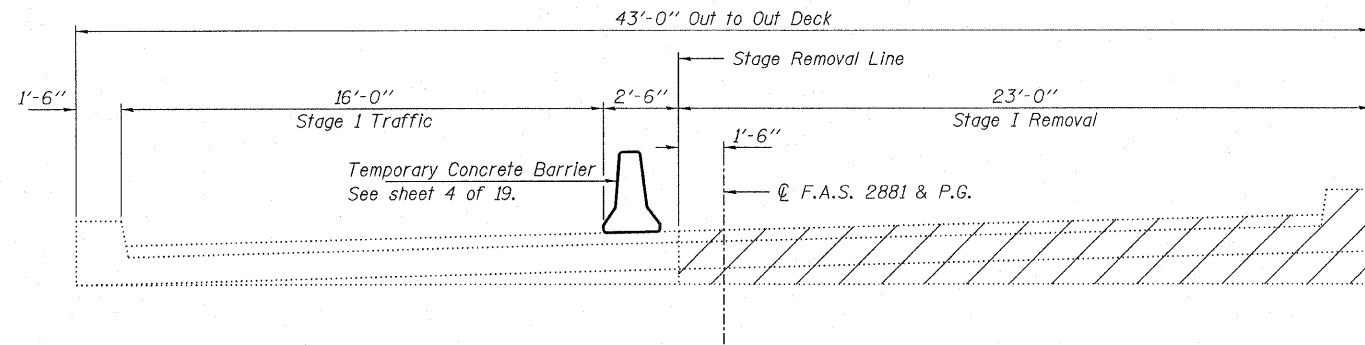
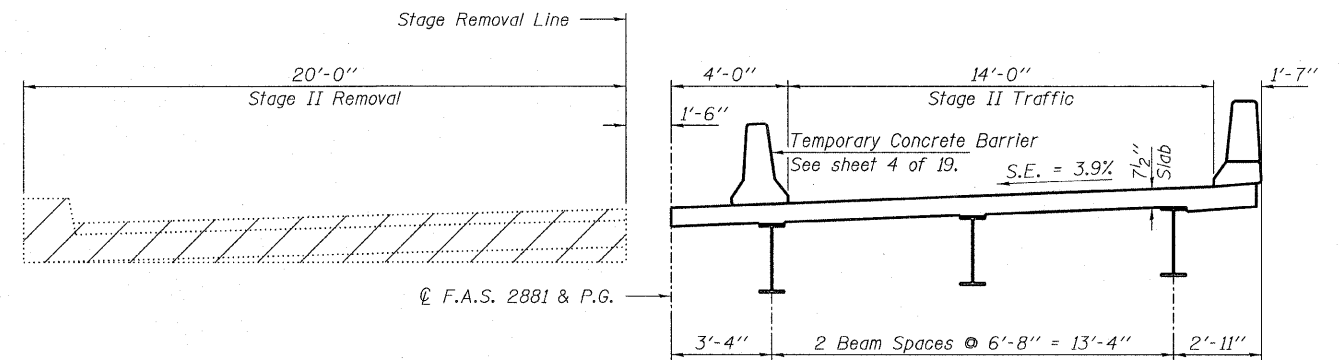


STATE OF ILLINOIS  
DEPARTMENT OF TRANSPORTATION

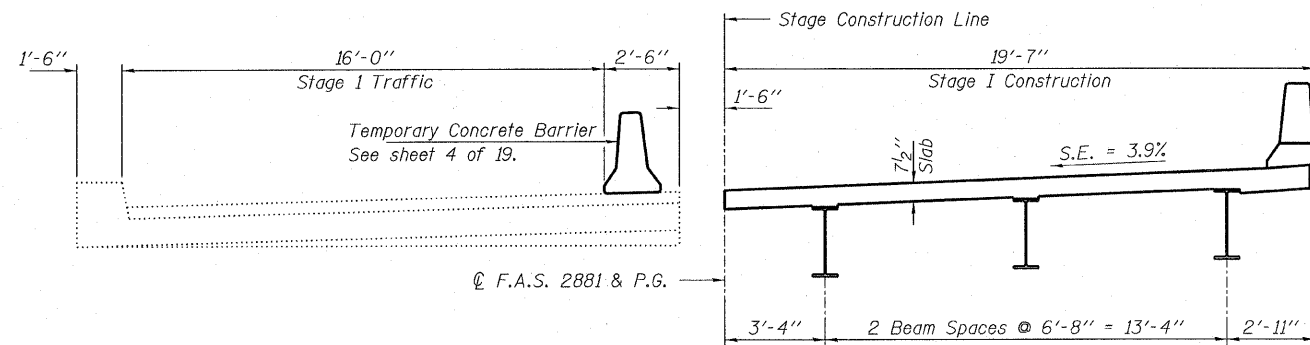


STAGE I REMOVAL

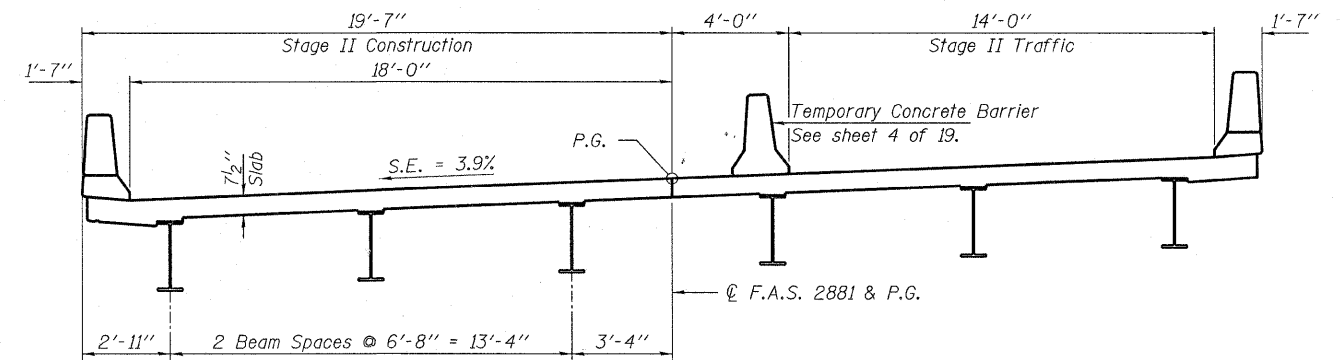


STAGE II REMOVAL

- Notes:  
1. All views are looking East.  
2. See Roadway Plans for quantity of Temporary Concrete Barrier.



STAGE I CONSTRUCTION



STAGE II CONSTRUCTION

DESIGNED - P.S.L.
CHECKED - M.D.C.
DRAWN - D.T.M.
CHECKED - S.W.M.

STAGE CONSTRUCTION DETAILS  
STRUCTURE NO. 083-0063

<b>HAMPTON, LENZINI &amp; RENWICK, INC.</b> CIVIL & STRUCTURAL ENGINEERS LAND SURVEYORS <b>HLR</b> 3085 STEVENSON DRIVE, SUITE 201 SPRINGFIELD, ILLINOIS 62703 (217) 546-3400	SHEET NO. 3	F.A.S. RTE. 2881	SECTION 30B-1	COUNTY SALINE	TOTAL SHEETS 45	SHEET NO. 17
	19 SHEETS	RALEIGH RD. OVER ELDORADO RESERVOIR SPILLWAY		CONTRACT NO. 98533		
PROJECT NUMBER: 08 0045.130	DATE: 09/02/08	FED. ROAD DIST. NO. 9		ILLINOIS FED. AID PROJECT		