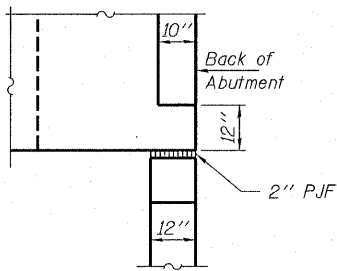
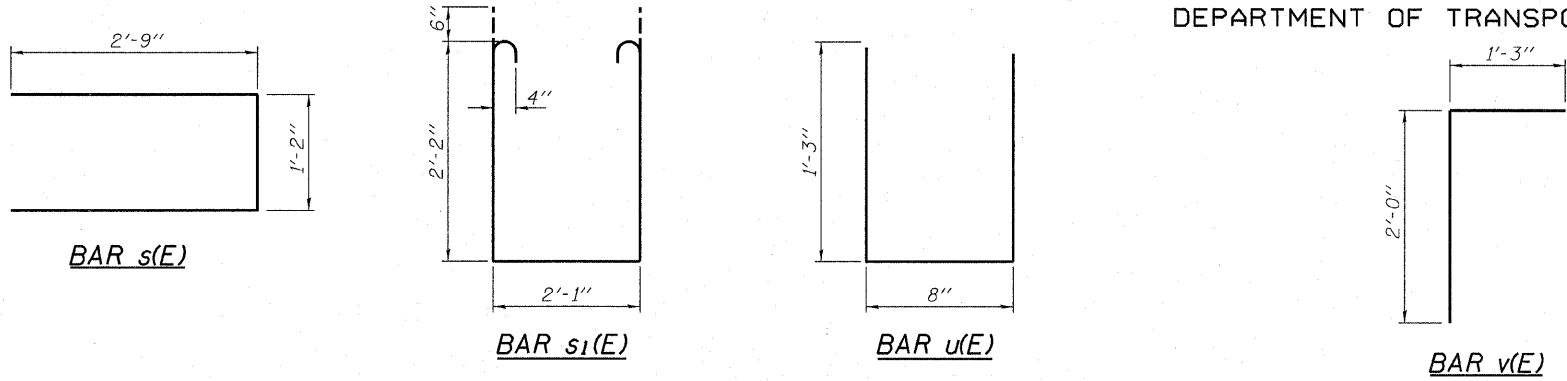
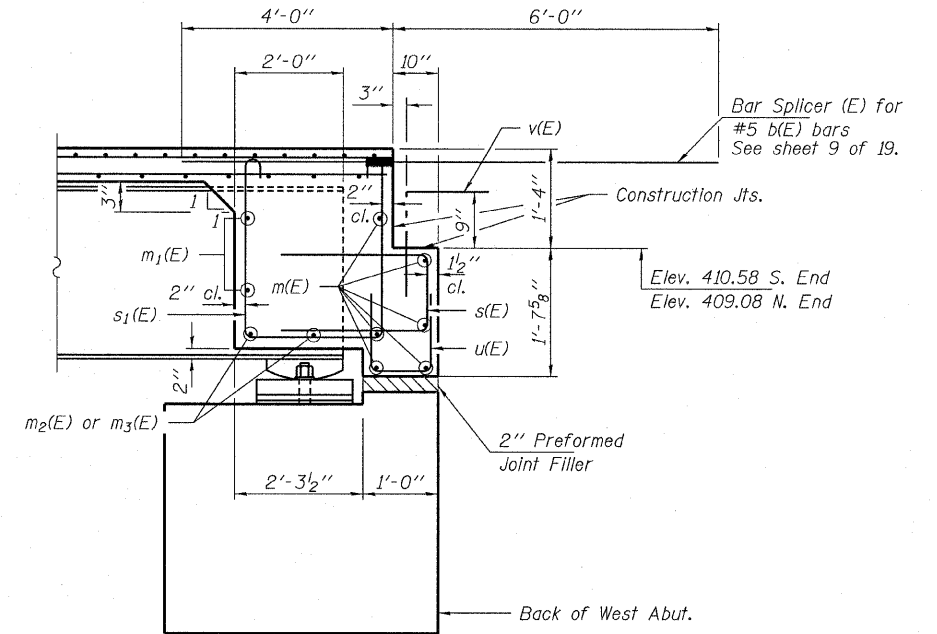


STATE OF ILLINOIS
DEPARTMENT OF TRANSPORTATION

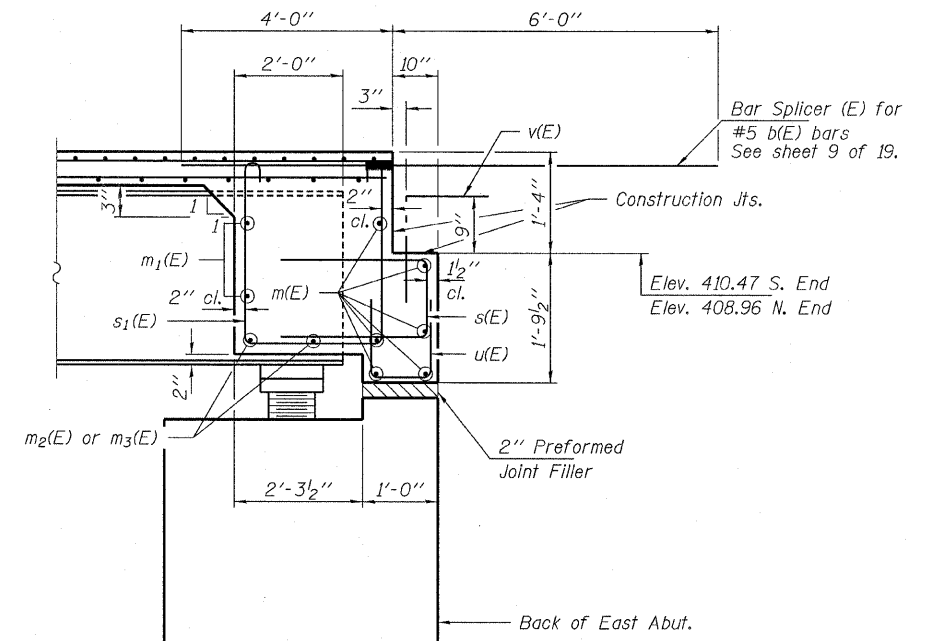


SECTION C-C

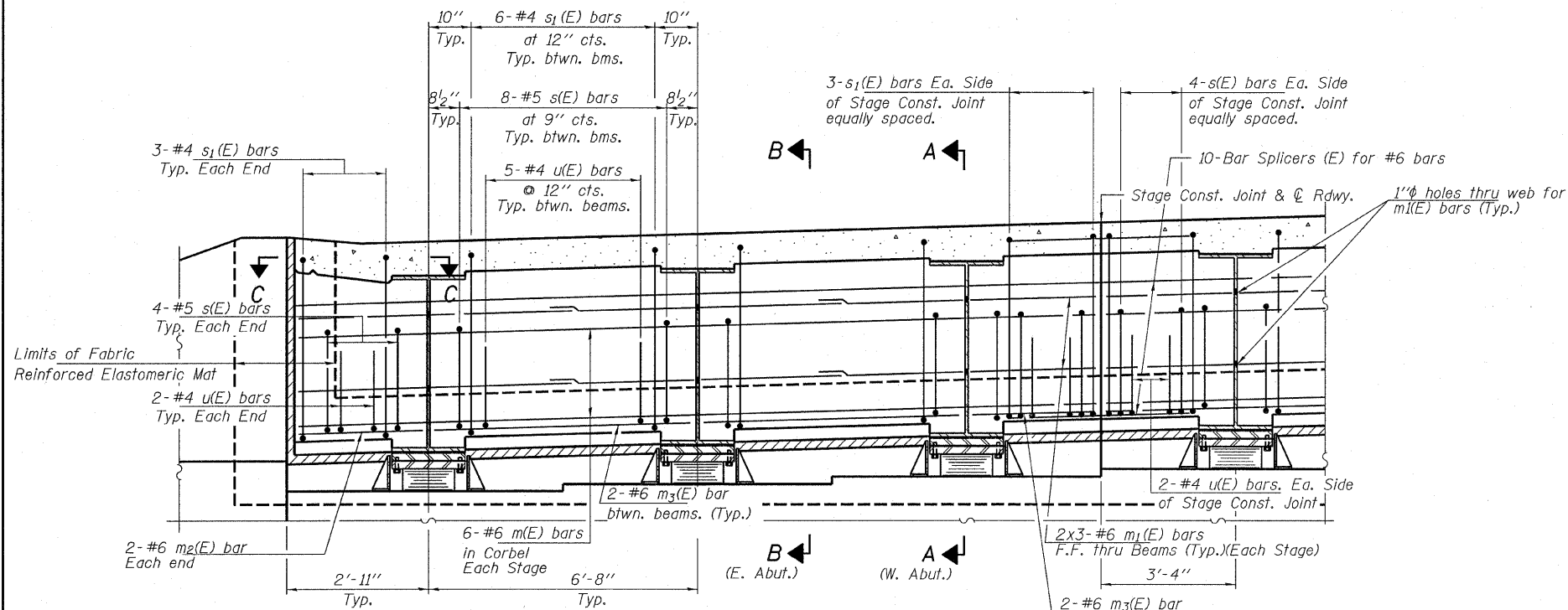


SECTION A-A
(West Abutment)

MIN. BAR LAPS
#6 bars = 2'-0"



SECTION B-B
(East Abutment)



DIAPHRAGM AT ABUTMENTS

(East Abut. shown. West Abutment similar except for Bearings.)

Symmetry around Stage Construction Line

F.F. - Front Face
B.F. - Back Face

Notes:
Reinforcement bars and Concrete in diaphragms are billed with Superstructure on sheet 9 of 19.
See sheet 12 of 19 for holes thru web for m1(E) bars.
See Sections A-A & B-B for bar locations.

DESIGNED - P.S.L.
CHECKED - M.D.C.
DRAWN - D.T.M.
CHECKED - S.W.M.

SUPERSTRUCTURE DETAILS
STRUCTURE NO. 083-0063

HAMPTON, LENZINI & RENWICK, INC. CIVIL & STRUCTURAL ENGINEERS LAND SURVEYORS 3085 STEVENSON DRIVE, SUITE 201 SPRINGFIELD, ILLINOIS 62703 (217) 546-3400	SHEET NO. 10 19 SHEETS	F.A.S. RTE.	SECTION	COUNTY	TOTAL SHEETS	SHEET NO.
		2881	30B-1	SALINE	45	24
PROJECT NUMBER: 08 0045.130 DATE: 09/02/08		RALEIGH RD. OVER ELDORADO RESERVOIR SPILLWAY		CONTRACT NO. 98533		
		FED. ROAD DIST. NO. 9 ILLINOIS		FED. AID PROJECT		