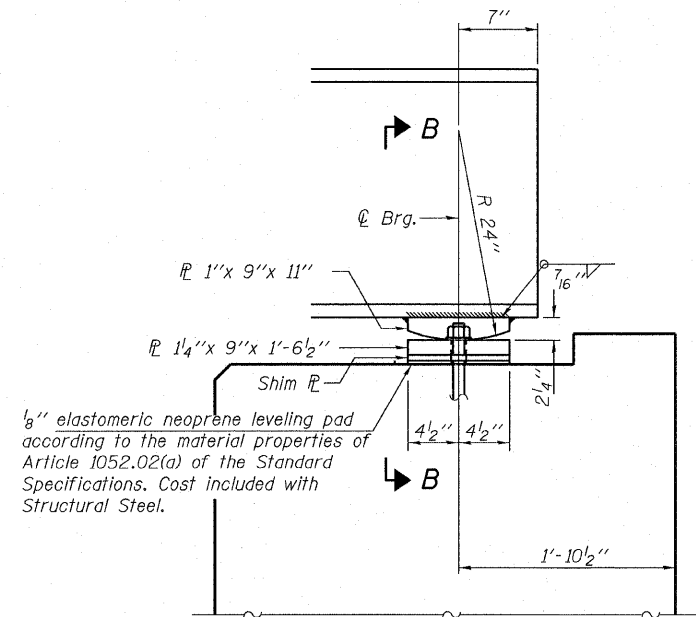
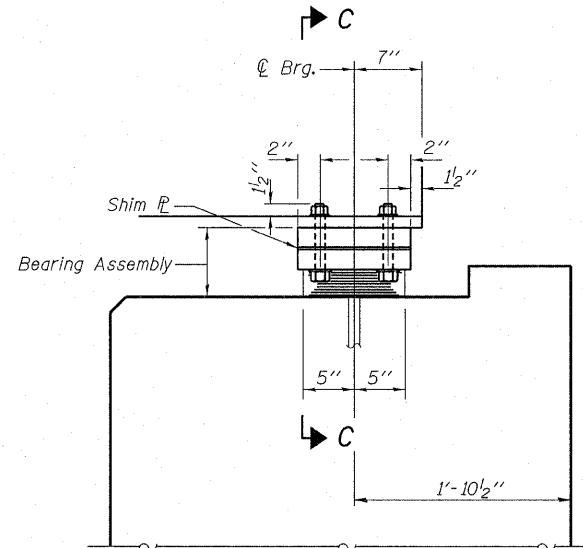


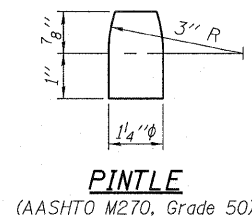
STATE OF ILLINOIS  
DEPARTMENT OF TRANSPORTATION



**FIXED BEARING (WEST ABUTMENT)**

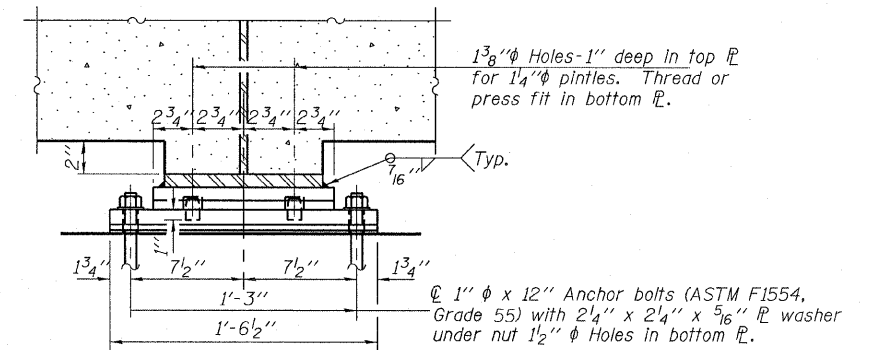


**EXPANSION BEARING (EAST ABUTMENT)**

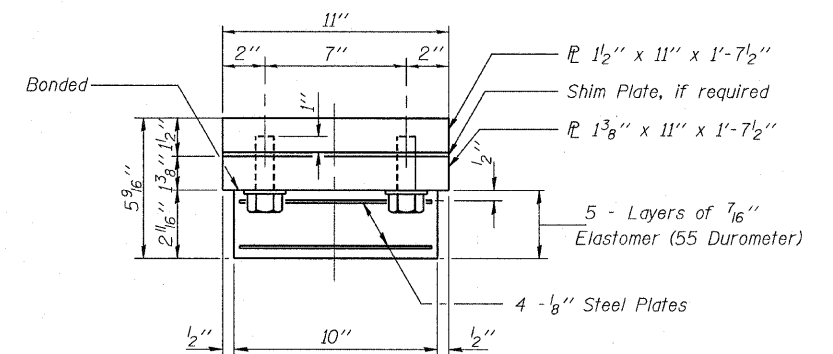


**PINTLE**

(AASHTO M270, Grade 50)

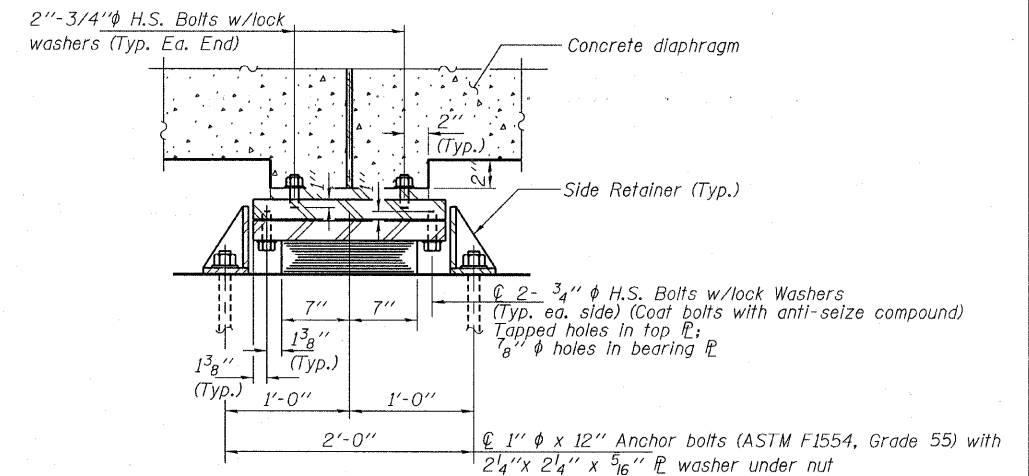


**SECTION B-B**



**BEARING ASSEMBLY**

Note: Shim plates shall not be placed under Bearing Assembly.



**SECTION C-C**

**BEARINGS**  
**STRUCTURE NO. 083-0063**

**Notes:**

Anchor bolts shall be ASTM F1554 all-thread (or an Engineer-approved alternate material) of the grade(s) and diameter(s) specified. The corresponding specified grade of AASHTO M314 anchor bolts may be used in lieu of ASTM F1554.

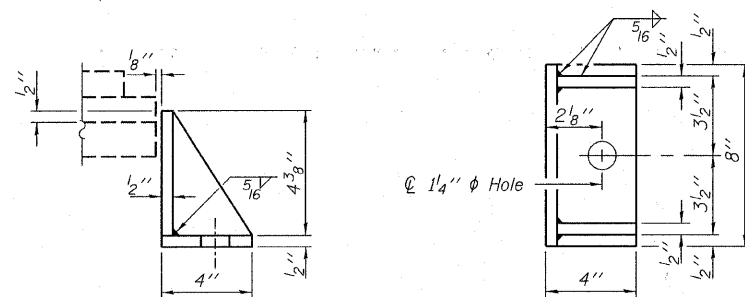
Anchor bolts at fixed bearings may be either cast in place or installed in holes drilled after the supported member is in place.

Anchor bolts for side retainers may be cast in place or installed in holes drilled before or after members are in place.

Drilled and set anchor bolts shall be installed according to Article 521.06 of the Standard Specifications.

Side retainers and other steel members required for the bearing assembly shall be included in the cost of Elastomeric Bearing Assembly, Type I.

The structural steel plates of the Bearing Assembly shall conform to the requirements of AASHTO M 270 Grade 50.



**SIDE RETAINER**

Equivalent rolled angle with stiffeners will be allowed in lieu of welded plates. Cost included with Bearing Assembly, Type-I Elastomeric.

**BILL OF MATERIAL**

Item	Unit	Total
Elastomeric Bearing Assembly Type I	Each	6
Anchor Bolts, 1"	Each	24

DESIGNED - P.S.L.
CHECKED - M.D.C.
DRAWN - D.T.M.
CHECKED - S.W.M.

<b>HAMPTON, LENZINI &amp; RENWICK, INC.</b> CIVIL & STRUCTURAL ENGINEERS LAND SURVEYORS <b>HLR</b> 3085 STEVENSON DRIVE, SUITE 201 SPRINGFIELD, ILLINOIS 62703 (217) 546-3400	SHEET NO. 13	F.A.S. RTE. 2881	SECTION 30B-1	COUNTY SALINE	TOTAL SHEETS 45	SHEET NO. 27
	19 SHEETS	RALEIGH RD. OVER ELDORADO RESERVOIR SPILLWAY		CONTRACT NO. 98533		
PROJECT NUMBER: 08 0045.130	DATE: 09/02/08	FED. ROAD DIST. NO. 9 ILLINOIS FED. AID PROJECT				