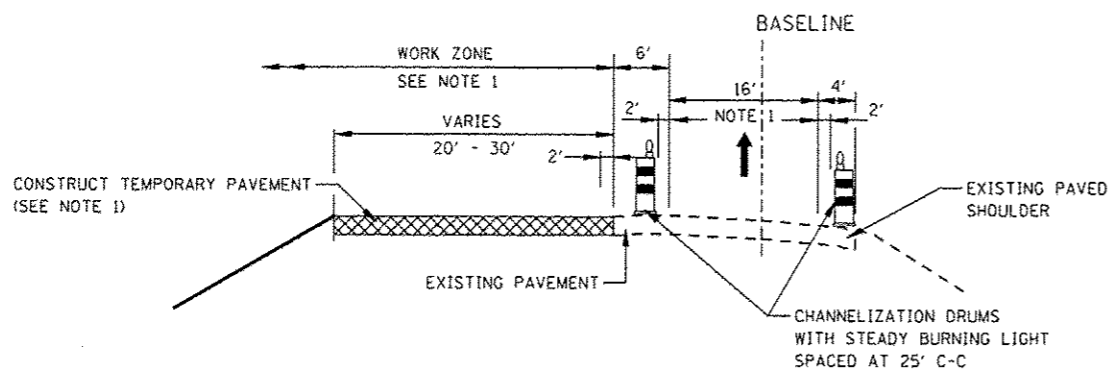


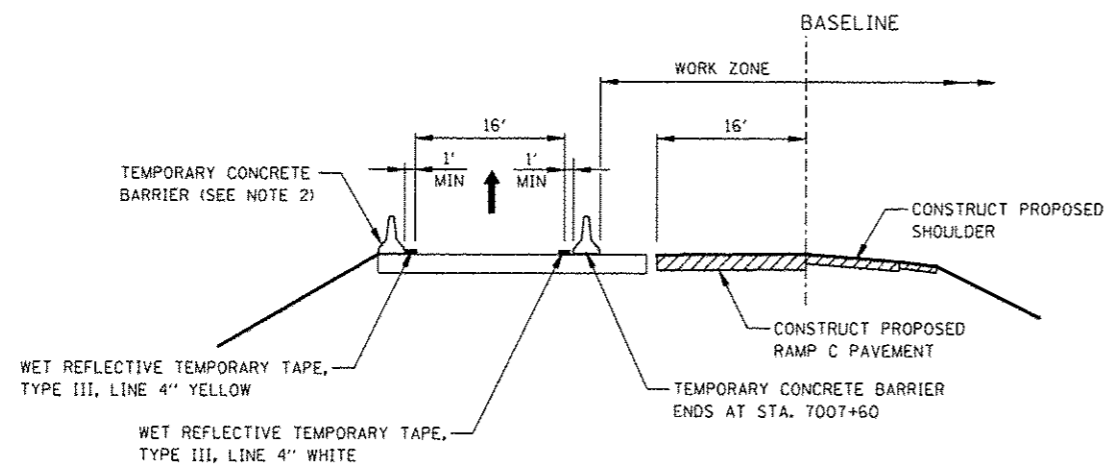
**EXISTING CONDITIONS**



**PRESTAGE NOTE**

1. THE TRAFFIC LANE IS TO BE SHIFTED RIGHT ONTO THE EXISTING RIGHT SHOULDER (AS SHOWN) DURING TEMPORARY PAVEMENT CONSTRUCTION. CHANNELIZATION DRUMS SHALL BE RELOCATED TO DELINEATE THE EDGES OF THE 16' TRAFFIC LANE REMAINING OPEN TO TRAFFIC. THIS WORK WILL NOT BE ALLOWED BETWEEN THE HOURS OF 2:00 PM AND 8:00 PM.

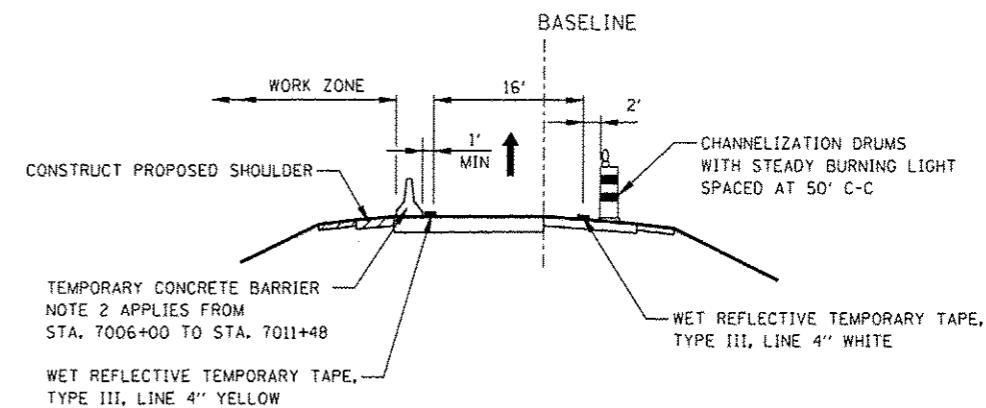
**PRESTAGE**



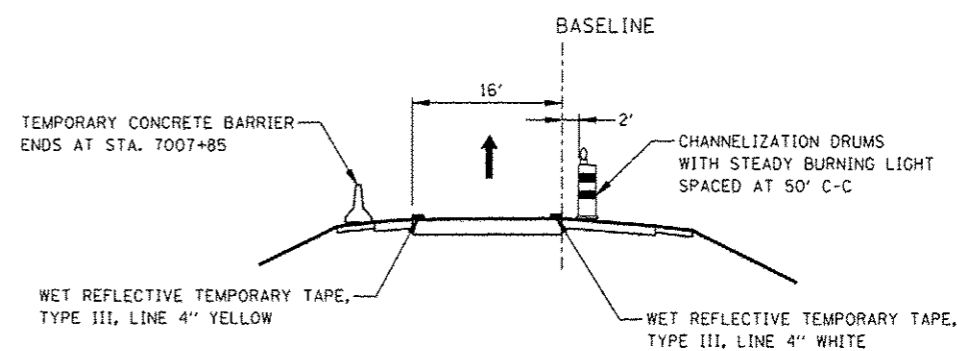
**STAGE 1**

**NOTES**

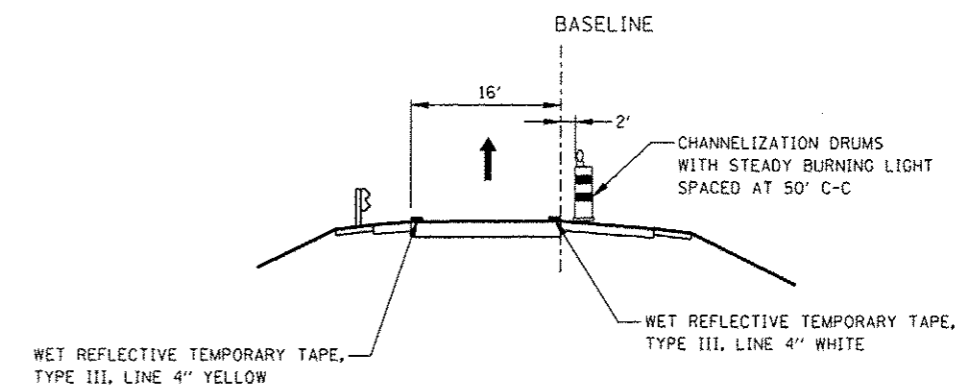
2. TEMPORARY CONCRETE BARRIER SHALL BE CONTINUOUSLY PINNED TO THE PAVEMENT. SEE MAINTENANCE OF TRAFFIC GENERAL NOTES.



**STAGES 1A & 1B**



**STAGE 2, 3 & 3A**



**STAGE 3B, 3C, 4, 4A & 4B**

FILE NAME =	USER NAME = #USER#	DESIGNED <i>PJO</i>	REVISED -ADDENDUM A 01/08/2013
#FILE#		DRAWN <i>KES</i>	REVISED -
		CHECKED <i>JCM</i>	REVISED -
		DATE <i>10/15/2012</i>	REVISED -

**STATE OF ILLINOIS  
DEPARTMENT OF TRANSPORTATION**

**MAINTENANCE OF TRAFFIC TYPICAL SECTIONS  
RAMP C**

F.A.P. RTE.	SECTION	COUNTY	TOTAL SHEETS	SHEET NO.
338	(112 & 113) WRS-5	DUPAGE	963	114
CONTRACT NO. 60I31			ILLINOIS FED. AID PROJECT	

SCALE: SHEET NO. 16 OF 17 SHEETS STA. TO STA.