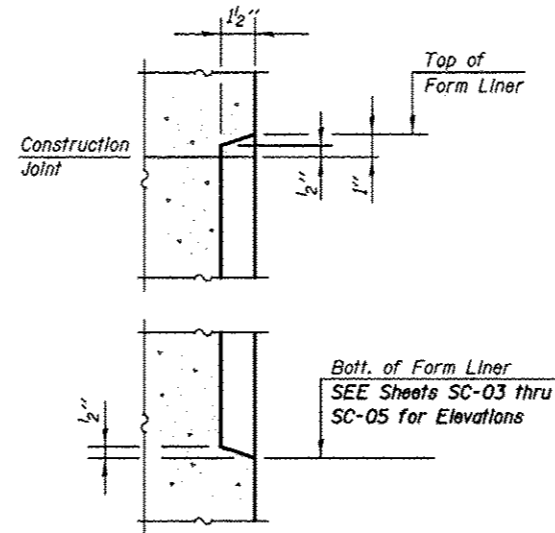
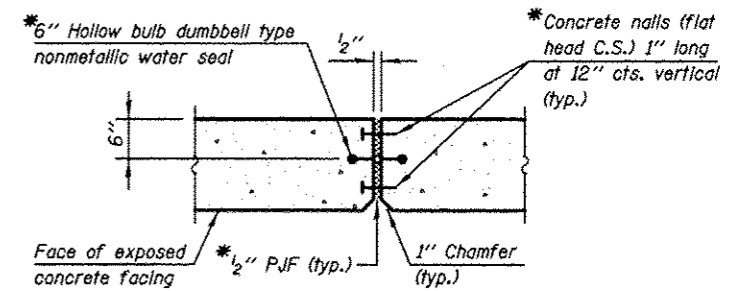


INSIDE ELEVATION - FORM LINER

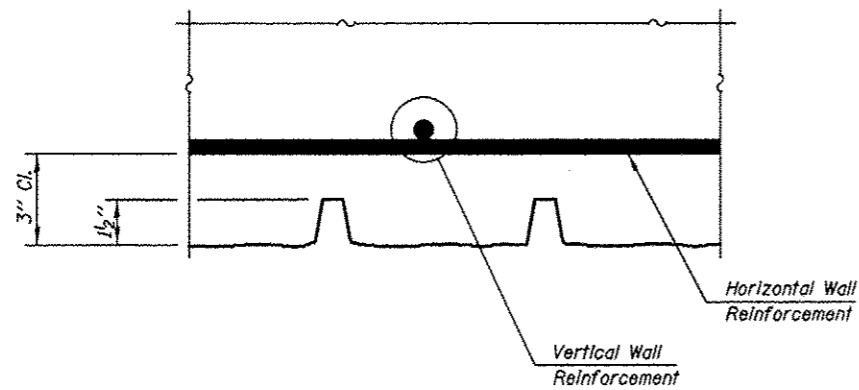


SECTION A-A

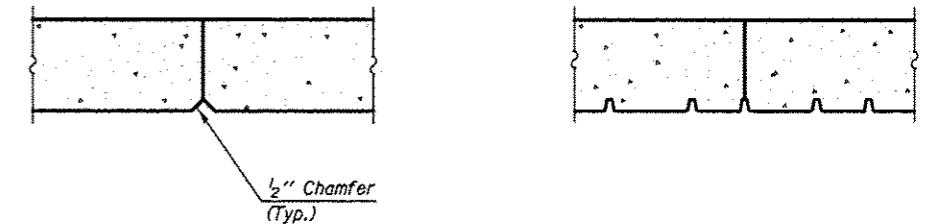


WALL EXPANSION JOINT DETAIL

* Cost Included with "Concrete Structures".



PLAN - FORM LINER

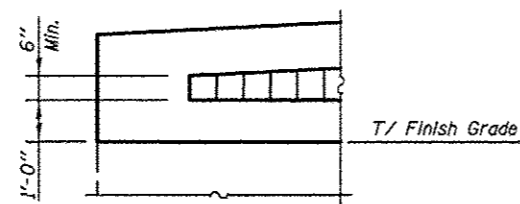


WALL CONSTRUCTION JOINT DETAIL

NOTE:
SEE Sheets SC-03 thru SC-05
for Bottom of Form Liner Elevations

WALL #	
STATION	ELEVATION
00+00.00	El. 00.00

WALL #	
STATION	ELEVATION
00+00.00	El. 00.00



END FORM LINER DETAIL