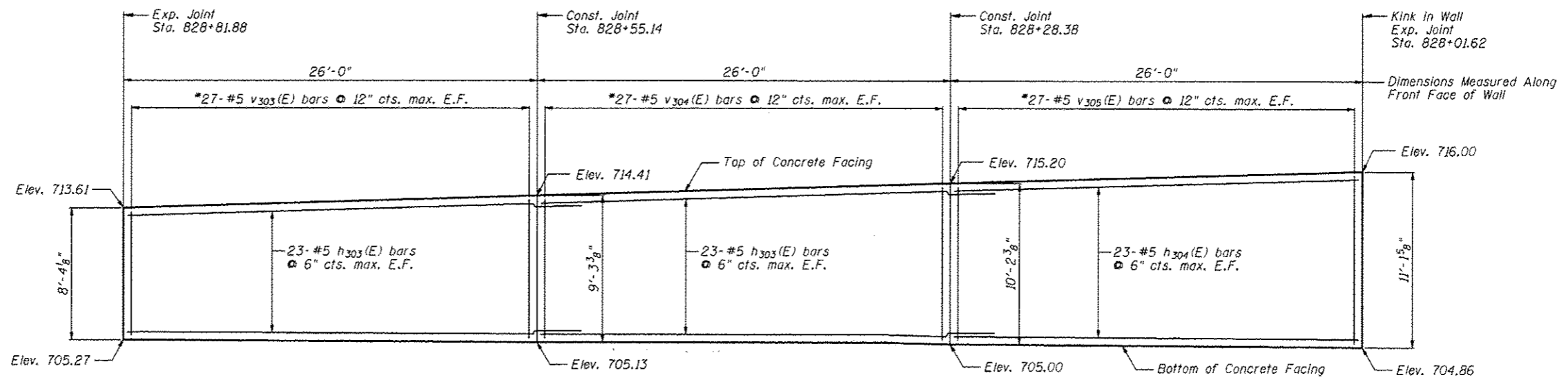


ELEVATION



ELEVATION

Notes:

Minimum lap for #5 bar is 3'-8".

Space reinforcement in wall to miss shear studs.

* signifies cut bar. Order per length on Bill of Material. Cut as shown in Cutting Diagram and use half of bars in each face.

See Sheet SD-8 for Concrete Facing Details and Bill of Material.

FILE NAME: \\V82131\8285-8286-ConcreteFacing.dwg



Zroka Engineering, P.C.
4216 North Hermitage
Chicago, IL 60613

USER NAME = SAW	DESIGNED - LAS	REVISED Δ 12/17/2012 L.A.S.
	CHECKED - DAZ	REVISED
PLOT SCALE = 0.8000' / IN.	DRAWN - SAW	REVISED
PLOT DATE = 12/12/2012	CHECKED - JLA	REVISED

STATE OF ILLINOIS
DEPARTMENT OF TRANSPORTATION

CONCRETE FACING 1
STRUCTURE NUMBER 022-W065

SHEET NO. SD-6 OF SD-11 SHEETS

F.A.P. RTE.	SECTION	COUNTY	TOTAL SHEETS	SHEET NO.
338/JL 59	(112 & 113) WRS-5	DUPAGE	963	667
CONTRACT NO. 60131			ILLINOIS FED. AID PROJECT	