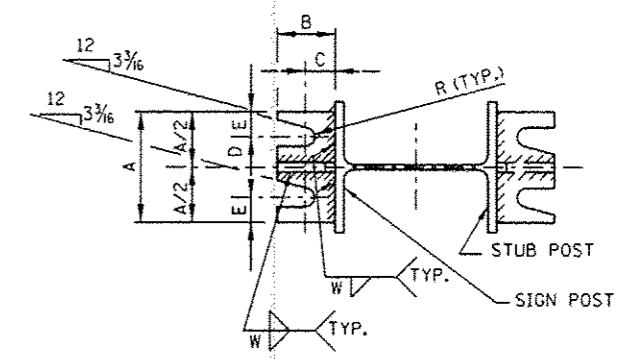
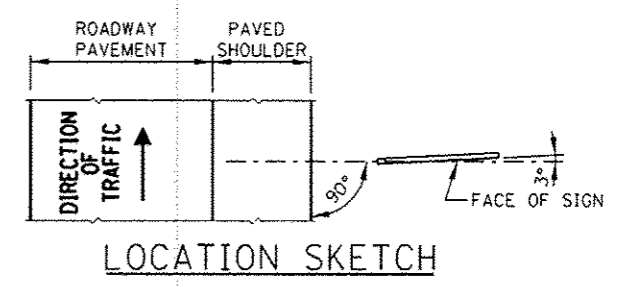
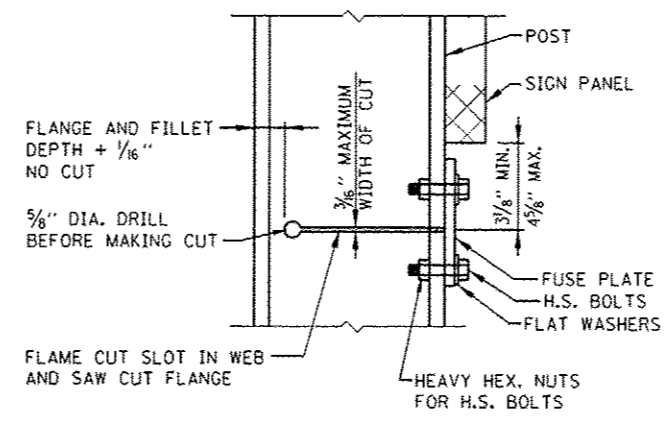
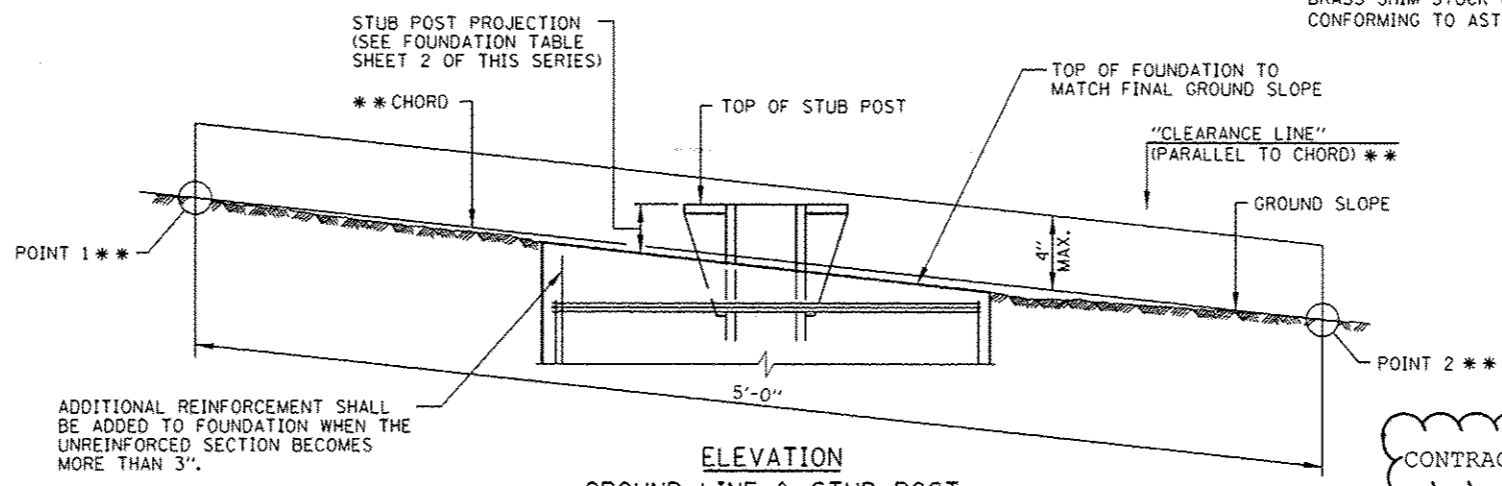
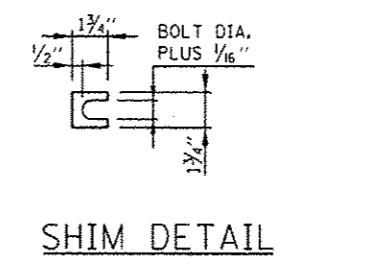
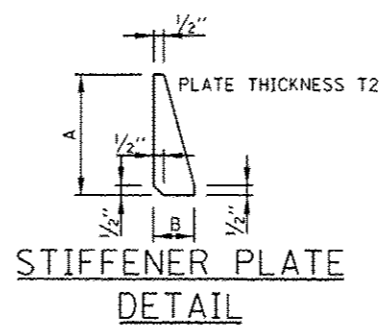
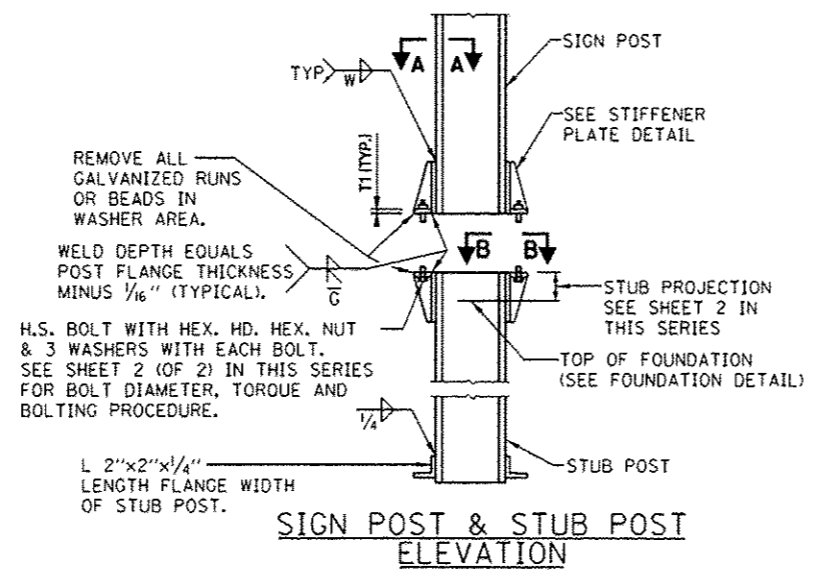


G & H DIM. TABLE		
BOLT DIA.	G	H
1/2"	2"	1 1/8"
5/8"	2 1/4"	1 1/4"
3/4"	2 1/2"	1 3/8"
7/8"	2 3/4"	1 1/2"
1"	3"	1 5/8"
1 1/8"	3 1/4"	1 3/4"
1 1/4"	3 1/2"	1 7/8"

FABRICATORS NOTES
 THE SLOT AND THE 3/8" DIA. HOLE IN THE WEB AND THE FUSE PLATE BOLT HOLES IN THE FLANGE SHALL BE MADE BEFORE GALVANIZING. POST FLANGE SHALL BE SAW CUT AFTER GALVANIZING AND BARE METAL SURFACES SHALL BE COATED WITH AN APPROVED ZINC SOLDER OR ZINC-RICH PAINT. THESE SURFACES SHALL NOT BE COATED UNTIL THE FUSE PLATE IS INSTALLED AND BOLTS FULLY TIGHTENED.



GENERAL NOTES
DESIGN: AASHTO STANDARD SPECIFICATIONS FOR STRUCTURAL SUPPORTS FOR HIGHWAY SIGNS, LUMINAIRE AND TRAFFIC SIGNALS-DATED 1994 OR LATEST EDITION.
CONSTRUCTION: IDOT STANDARD SPECIFICATIONS AND THE SPECIAL PROVISIONS.
LOADING: FOR 80 MPH WIND VELOCITY PLUS 30% GUST FACTOR NORMAL TO SIGN.
UNIT STRESSES:
 STRUCTURAL STEEL - PER AASHTO
 REINFORCING STEEL - 24,000 P.S.I.
 CLASS SP CONCRETE - 1,400 P.S.I.
 MINIMUM SOIL PRESSURE - 1.25 TONS/SQ. FT.
WELDING: ALL WELDING TO BE CONTINUOUS UNLESS OTHERWISE SHOWN. ALL WELDING TO BE DONE IN ACCORDANCE WITH CURRENT AWS SPECIFICATIONS, AND IDOT STANDARD SPECIFICATIONS.
MATERIALS: ALL STRUCTURAL STEEL SHALL CONFORM TO ASTM A36 AND IDOT STANDARD SPECIFICATIONS.
 ALL HIGH STRENGTH STEEL BOLTS, NUTS AND WASHERS SHALL CONFORM TO IDOT STANDARD SPECIFICATIONS.
 HIGH STRENGTH STEEL BOLTS, NUTS AND HARDENED WASHERS SHALL BE GALVANIZED IN ACCORDANCE WITH AASHTO M232.
 HIGH STRENGTH BOLTS IN BASE PLATES SHALL BE TIGHTENED TO THE TORQUE SHOWN ON SHEET 2 IN THIS SERIES.
 AFTER FABRICATION, THE POST, FUSE PLATE, BASE PLATE AND UPPER 6" OF STUB POST SHALL BE HOT-DIP GALVANIZED ACCORDING TO ASTM M111, EXCEPT AS NOTED UNDER FABRICATOR NOTES.



ADDITIONAL REINFORCEMENT SHALL BE ADDED TO FOUNDATION WHEN THE UNREINFORCED SECTION BECOMES MORE THAN 3".
ELEVATION GROUND LINE & STUB POST
 ** FOR ALL "POINT 1" AND "POINT 2" LOCATIONS, "CLEARANCE LINE" MUST BE AT OR ABOVE TOP OF STUB POST.

SHEET 1 OF 3

CONTRACT 60I31 SHEET 945A OF 963

Illinois Tollway
Open Roads for a Faster Future

DATE	REVISIONS
1-1-2009	REVISED NOTES
2-7-2012	IR GROUND LINE AND STUB POST ADDED STUB POST CLEARANCE DIMENSIONS, REVISED SIGN INSTALLATION CLEARANCE DIMENSIONS

BREAKAWAY SIGN SUPPORT DETAILS
STANDARD F9-03

APPROVED *Paul Kovacs* CHIEF ENGINEER DATE 1-1-2010