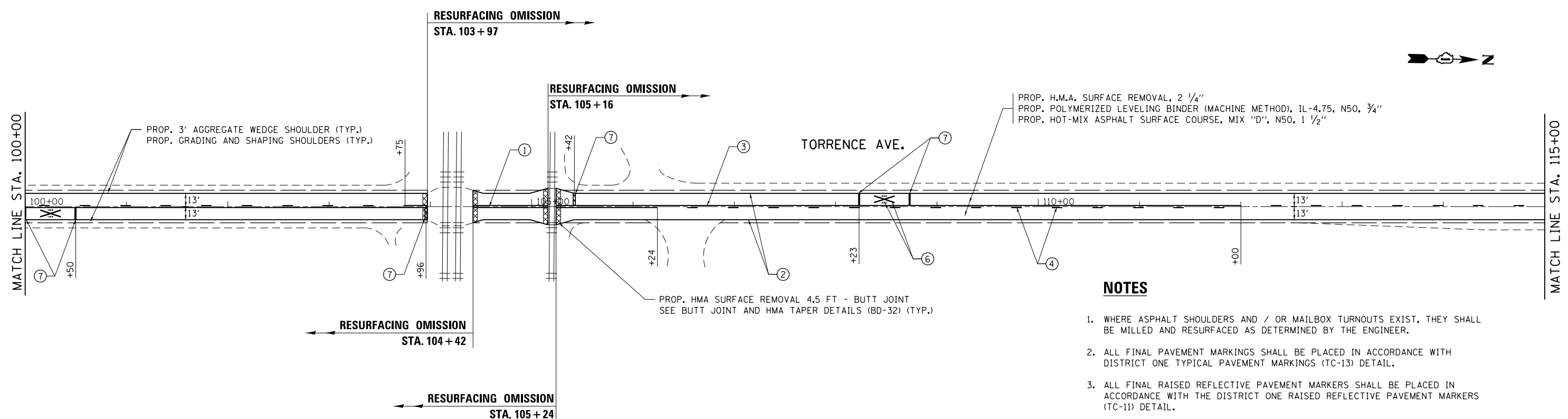


**PAVEMENT MARKING LEGEND**

- |   |  |
|---|--|
| ① THPL PAVT MK, 4" DOUBLE YELLOW LINE, 11" C-C (TYP.)     | ⑦ THPL PAVT MK, 24" WHITE STOP BAR (TYP.)                            |
| ② THPL PAVT MK, 4" WHITE EDGE LINE (TYP.)                 | ⑧ THPL PAVT MK, 6" WHITE DOTTED LINE (6' SKIP 2' DASH) (TYP.)        |
| ③ THPL PAVT MK, 4" YELLOW LINE (TYP.)                     | ⑨ THPL PAVT MK, 12" WHITE CROSSWALK LINE (TYP.)                      |
| ④ THPL PAVT MK, 4" YELLOW LINE (30' SKIP 10' DASH) (TYP.) | ⑩ THPL PAVT MK, 12" YELLOW DIAGONALS (TYP.), (SEE TC-13 FOR SPACING) |
| ⑤ THPL PAVT MK, 6" WHITE LINE (TYP.)                      | ⑪ THPL PAVT MK, 8" WHITE LINE (TYP.)                                 |
| ⑥ THPL PAVT MK, LETTERS & SYMBOLS (TYP.)                  | ⑫ THPL PAVT MK, 4" WHITE LANE LINE (30' SKIP 10' DASH) (TYP.)        |



**NOTES**

- WHERE ASPHALT SHOULDERS AND / OR MAILBOX TURNOUTS EXIST, THEY SHALL BE MILLED AND RESURFACED AS DETERMINED BY THE ENGINEER.
- ALL FINAL PAVEMENT MARKINGS SHALL BE PLACED IN ACCORDANCE WITH DISTRICT ONE TYPICAL PAVEMENT MARKINGS (TC-13) DETAIL.
- ALL FINAL RAISED REFLECTIVE PAVEMENT MARKERS SHALL BE PLACED IN ACCORDANCE WITH THE DISTRICT ONE RAISED REFLECTIVE PAVEMENT MARKERS (TC-11) DETAIL.

FILE NAME =	USER NAME = pughst	DESIGNED -	REVISED -	<b>STATE OF ILLINOIS DEPARTMENT OF TRANSPORTATION</b>	<b>TORRENCE AVE. (IL RTE. 83 (GLENWOOD DYER RD.) TO STEGER RD.) ROADWAY AND PAVEMENT MARKING PLAN</b>	F.A.U. RTE.	SECTION	COUNTY	TOTAL SHEETS	SHEET NO.
et:\pwwork\puidot\pughst\02246874\01111111	sh-t-plan.dgn	DRAWN -	REVISED -			2937	2010-112-R5	COOK	32	13
	PLOT SCALE = 100.0000' / in.	CHECKED -	REVISED -			CONTRACT NO. 60M44				
	PLOT DATE = 10/22/2012	DATE -	REVISED -			ILLINOIS FED. AID PROJECT				
					SCALE: 1"=50'	SHEET NO. 4 OF 7 SHEETS	STA. 85+00 TO STA. 115+00			