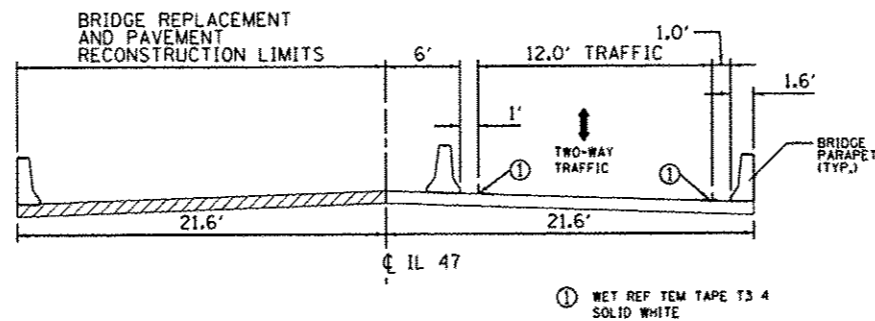
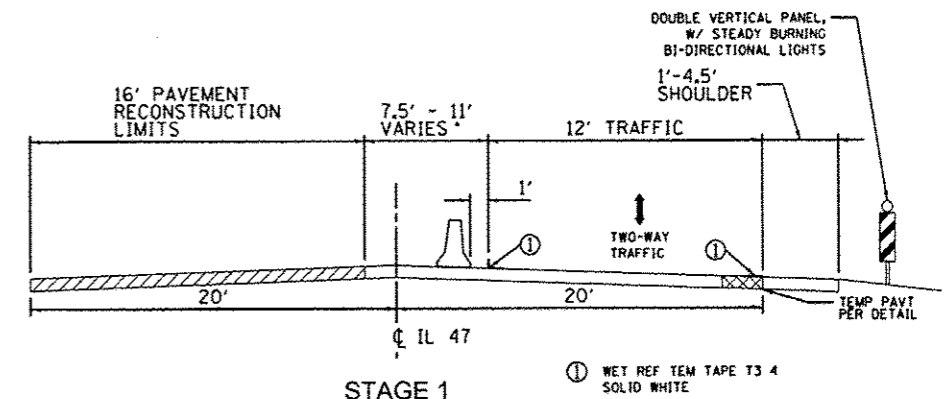


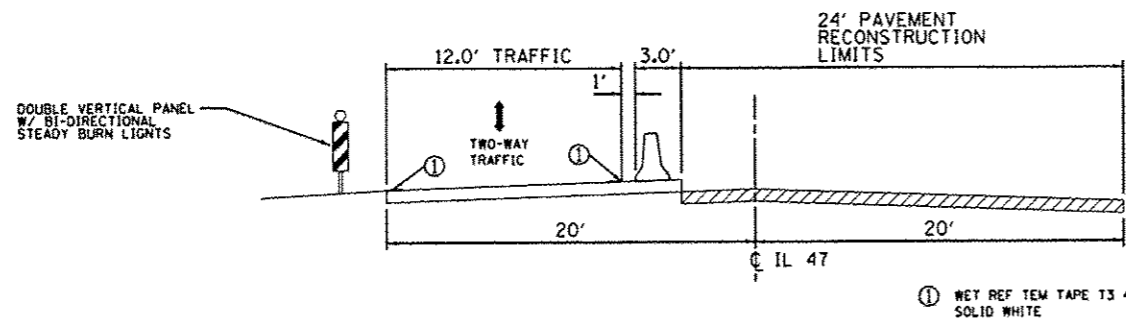
STAGE 1
 STA 1454+50 TO STA 1457+00
 STA 1470+00 TO STA 1471+00



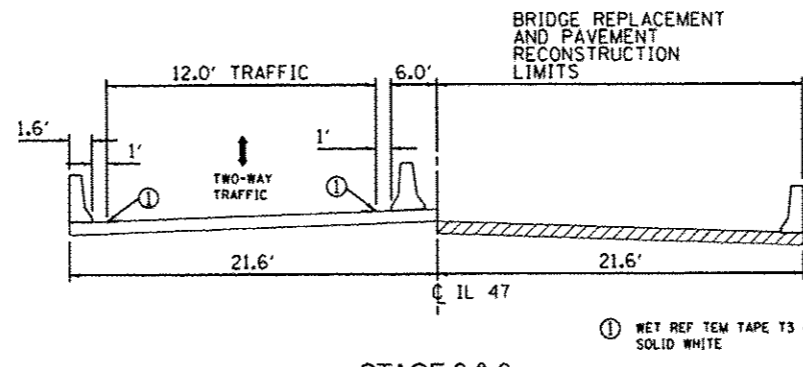
STAGE 1
 STA 1462+20 TO STA 1463+40



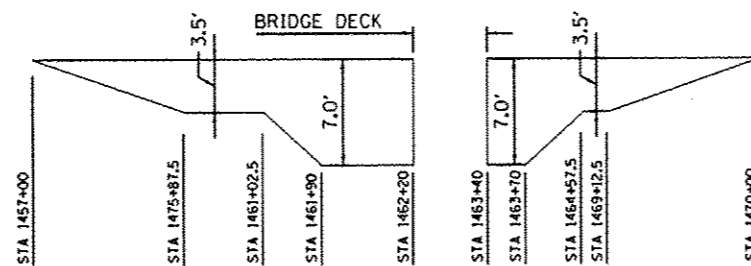
STAGE 1
 STA 1457+00 TO STA 1457+87.5: TAPER FROM 4.0 FT TO 7.5 FT
 STA 1457+87.5 TO STA 1461+02.5: 7.5 FT
 STA 1461+02.5 TO STA 1461+90: TAPER FROM 7.5 FT TO 11.0 FT
 STA 1461+90 TO STA 1462+20: 11.0 FT
 STA 1463+40 TO STA 1463+70: 11.0 FT
 STA 1463+70 TO STA 1464+57.5: TAPER FROM 11.0 FT TO 7.5 FT
 STA 1464+57.5 TO STA 1469+12.5: 7.5 FT
 STA 1469+12.5 TO STA 1470+00: TAPER FROM 7.5 FT TO 4.0 FT



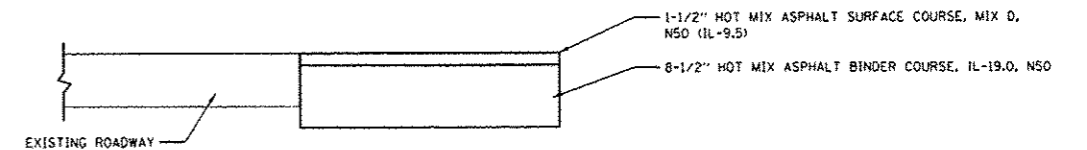
STAGE 2 & 3
 STA 1454+50 TO STA 1462+20
 STA 1463+40 TO STA 1471+00



STAGE 2 & 3
 STA 1462+20 TO STA 1463+40



STAGE 1
 TEMPORARY PAVEMENT DETAIL



TEMPORARY PAVEMENT
 CROSS SECTION

Rev. Sheet 1-3-13

ROBERT E. HAMILTON
 CONSULTING ENGINEERS, INC.
 Engineers - Surveyors - Planners
 Joliet, Illinois (815) 730-9444

USER NAME - rmm
 DESIGNED - JTS
 DRAWN - DWS
 CHECKED - JAR
 DATE - 8-23-2011
 PLT SCALE = 100.0000' / 1" / in.
 PLT DATE = 12/9/2012

DESIGNED - JTS
 DRAWN - DWS
 CHECKED - JAR
 DATE - 8-23-2011

REVISED - 10-8-2012
 REVISED -
 REVISED -
 REVISED -

STATE OF ILLINOIS
 DEPARTMENT OF TRANSPORTATION

IL ROUTE 47 OVER VIRGIL DITCH #2
 MOT TYPICAL SECTIONS

SCALE: NONE SHEET NO. OF SHEETS STA. TO STA.

F.A.P. RTE. 326	SECTION 106X-8	COUNTY KANE	TOTAL SHEETS 87	SHEET NO. 15
FED. ROAD DIST. NO. ILLINOIS FED. AID PROJECT			CONTRACT NO. 60N13	