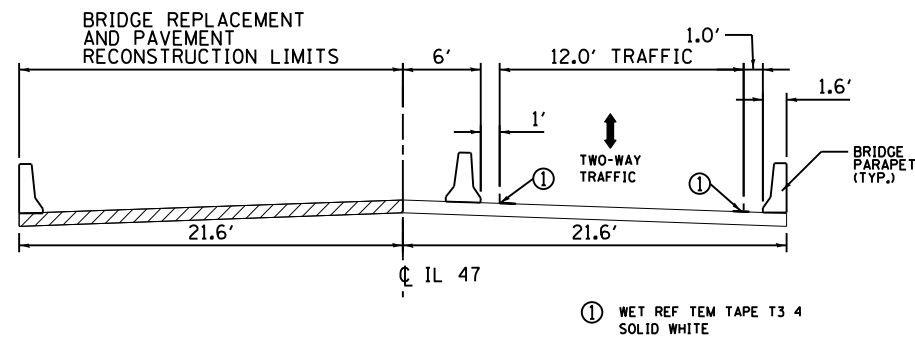


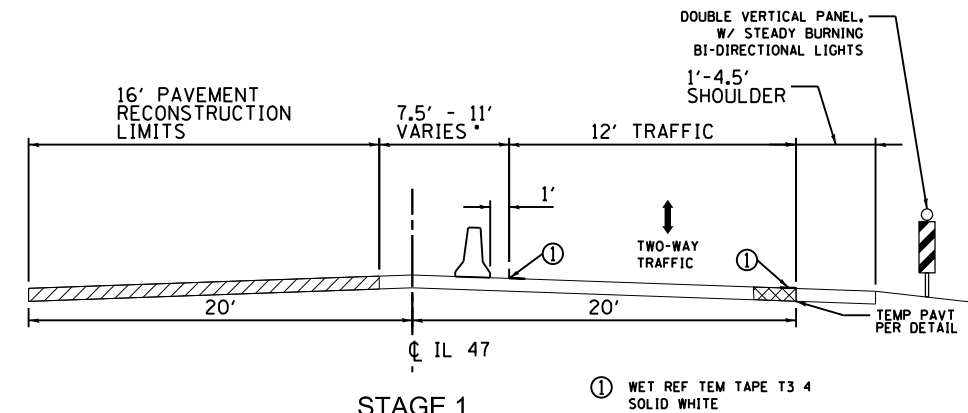
STAGE 1

STA 1454+50 TO STA 1457+00  
STA 1470+00 TO STA 1471+00



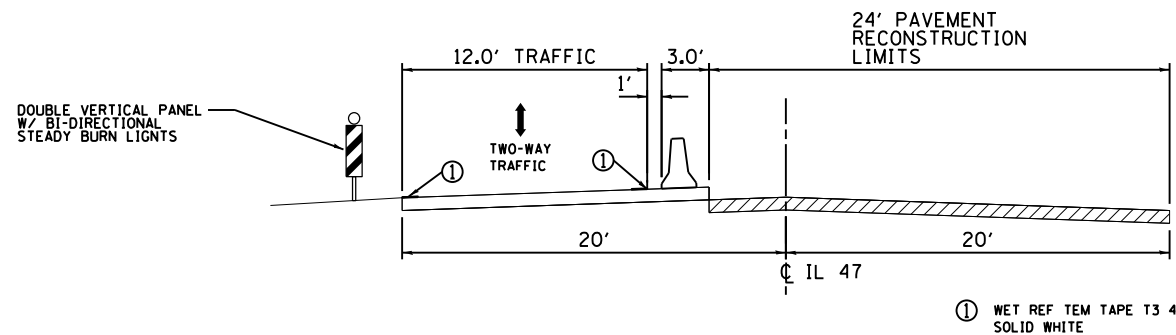
STAGE 1

STA 1462+20 TO STA 1463+40



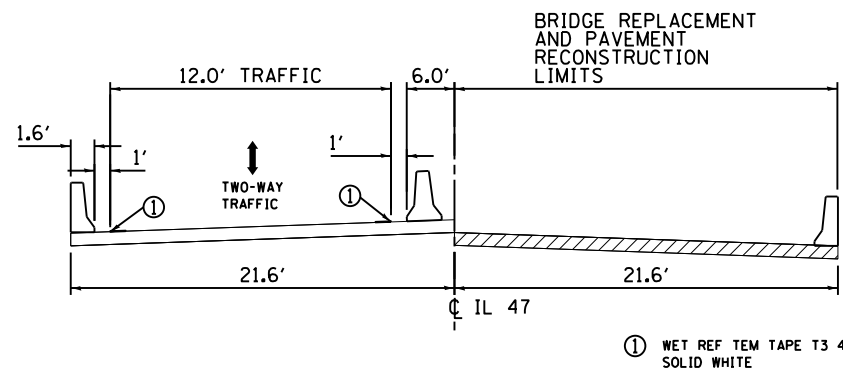
STAGE 1

STA 1457+00 TO STA 1457+87.5: TAPER FROM 4.0 FT TO 7.5 FT  
STA 1457+87.5 TO STA 1461+02.5: 7.5 FT  
STA 1461+02.5 TO STA 1461+90: TAPER FROM 7.5 FT TO 11.0 FT  
STA 1461+90 TO STA 1462+20: 11.0 FT  
STA 1463+40 TO STA 1463+70: 11.0 FT  
STA 1463+70 TO STA 1464+57.5: TAPER FROM 11.0 FT TO 7.5 FT  
STA 1464+57.5 TO STA 1469+12.5: 7.5 FT  
STA 1469+12.5 TO STA 1470+00: TAPER FROM 7.5 FT TO 4.0 FT



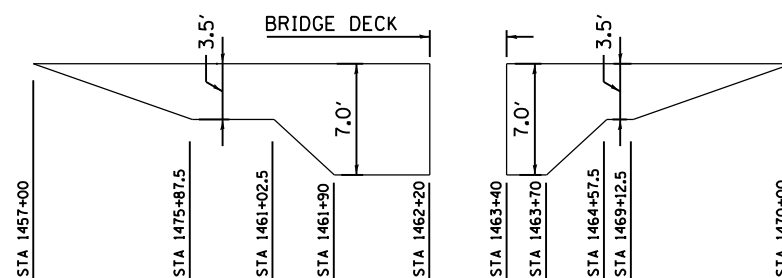
STAGE 2 & 3

STA 1454+50 TO STA 1462+20  
STA 1463+40 TO STA 1471+00

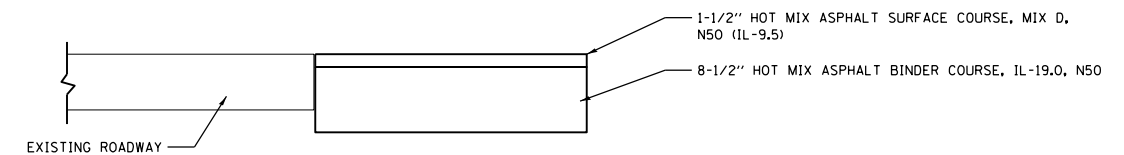


STAGE 2 & 3

STA 1462+20 TO STA 1463+40



STAGE 1  
TEMPORARY PAVEMENT DETAIL



TEMPORARY PAVEMENT  
CROSS SECTION

FILE NAME = D160N13-sht-MOT SEC.dgn

USER NAME = mmann  
DRAWN - DWS  
CHECKED - JAR  
DATE - 8-23-2011

DESIGNED - JTS  
REVIS - 10-8-2012

REVIS - 10-8-2012  
REVIS -  
REVIS -

STATE OF ILLINOIS  
DEPARTMENT OF TRANSPORTATION

IL ROUTE 47 OVER VIRGIL DITCH #2  
MOT TYPICAL SECTIONS

SCALE: NONE SHEET NO. OF SHEETS STA. TO STA.

F.A.P. RTE.	SECTION	COUNTY	TOTAL SHEETS	SHEET NO.
326	106X-8	KANE	87	15
CONTRACT NO. 60N13				
FED. ROAD DIST. NO. ILLINOIS FED. AID PROJECT				