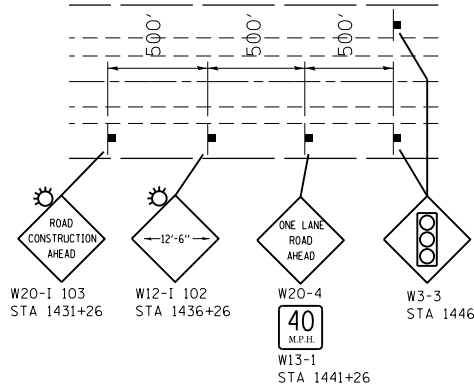
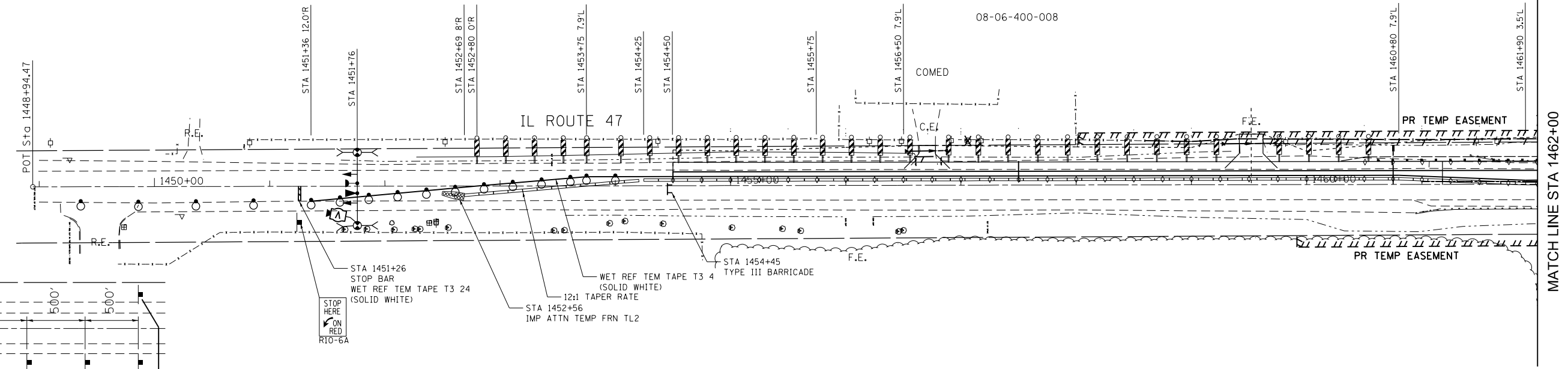
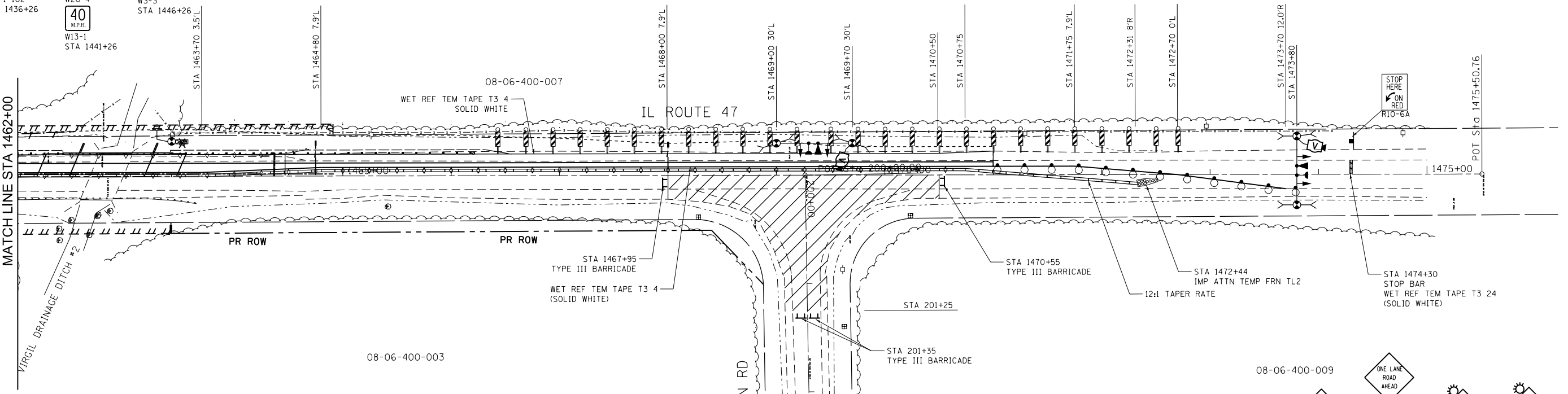


08-06-400-008



MATCH LINE STA 1462+00



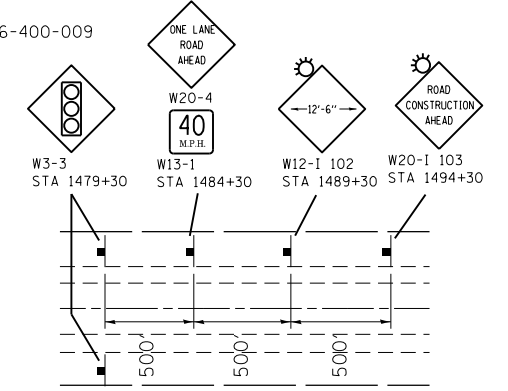
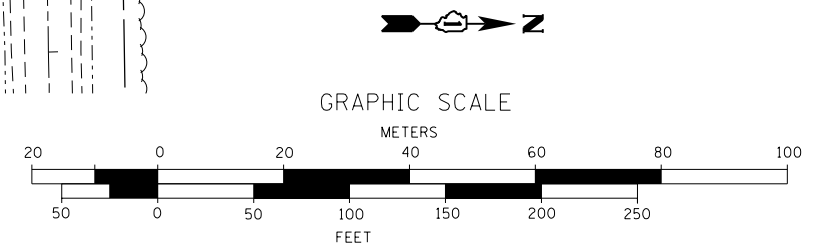
08-06-400-003

08-06-400-009

SYMBOL LEGEND

	WORK AREA		DRUM WITH STEADY BURNING BI-DIRECTIONAL LIGHT
	SIGN		TEMPORARY CONCRETE BARRIER
	TYPE III BARRICADE		CRYSTAL, BI-DIRECTIONAL BARRIER WALL/GUARDRAIL MARKER
	TRAFFIC SIGNAL		DOUBLE VERTICAL PANEL, W/ STEADY BURNING BI-DIRECTIONAL LIGHT
	IMPACT ATTENUATOR		

NOTE:
TRAFFIC CONTROL SHALL BE ERRECTED AS SHOWN AND ACCORDING TO "TRAFFIC CONTROL AND PROTECTION, STANDARD 701321".
SEE TEMPORARY TRAFFIC SIGNAL AND LIGHTING PLAN FOR STAGE 2.



FILE NAME =
D160N13-sht-staging2.dgn

USER NAME = mmann
PLOT SCALE = 100.0000' / in.
PLOT DATE = 10/24/2012

DESIGNED - JTS
DRAWN - DWS
CHECKED - JAR
DATE - 8-23-2011

REVISED - 10-8-2012
REVISED -
REVISED -
REVISED -

**STATE OF ILLINOIS
DEPARTMENT OF TRANSPORTATION**

**IL ROUTE 77 OVER VIRGIL DITCH #2
SUGGESTED STAGE OF CONSTRUCTION & TRAFFIC CONTROL - STAGE 2**

SCALE: 1"=50' SHEET NO. OF SHEETS STA. TO STA.

F.A.P. RTE.	SECTION	COUNTY	TOTAL SHEETS	SHEET NO.
326	106X-8	KANE	87	17
CONTRACT NO. 60N13				
FED. ROAD DIST. NO. ILLINOIS FED. AID PROJECT				