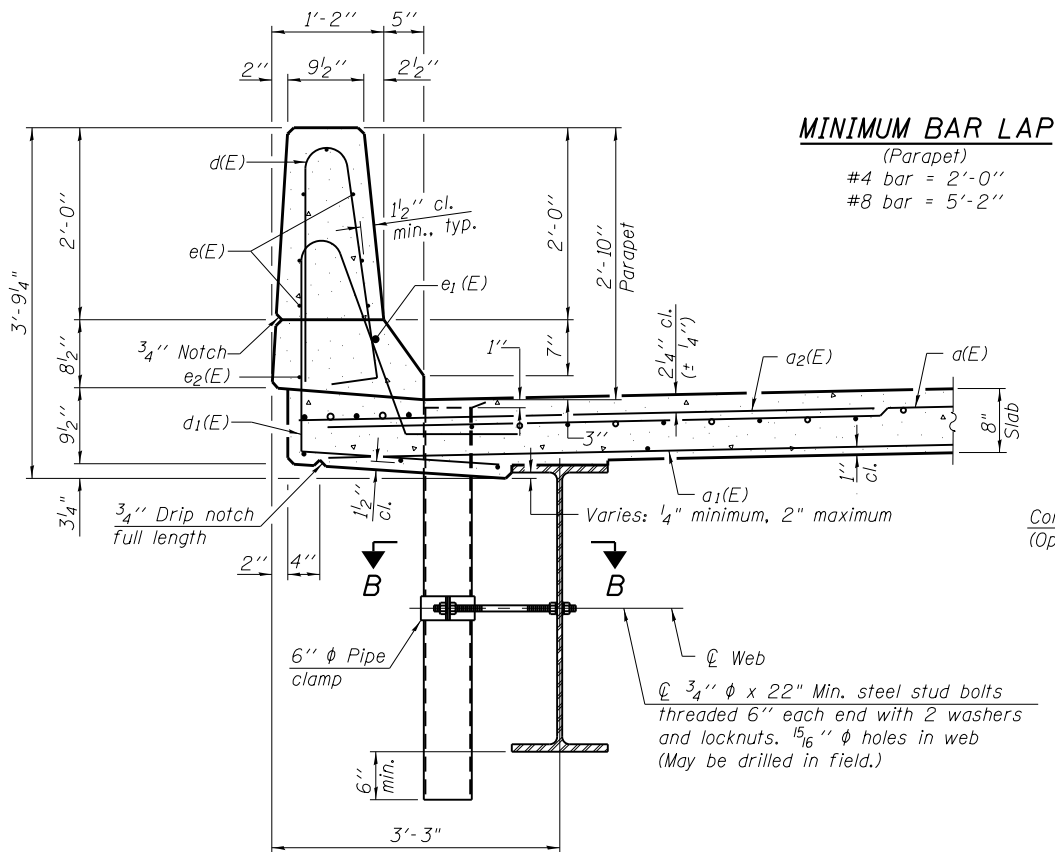
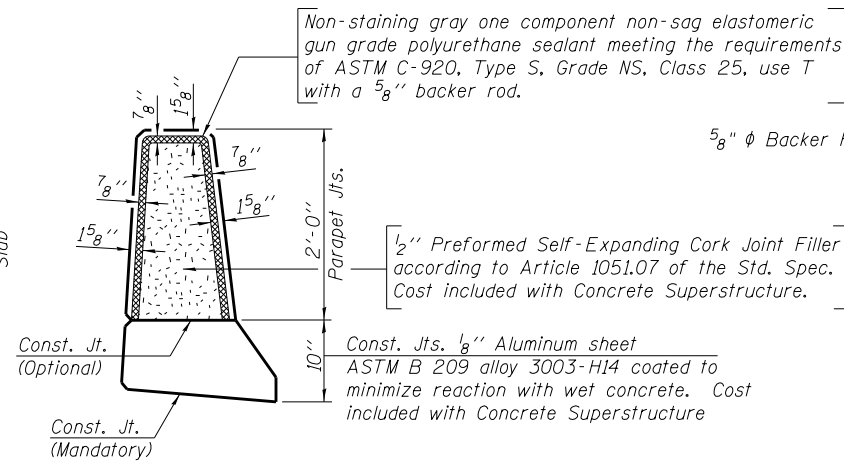


INSIDE ELEVATION OF PARAPET



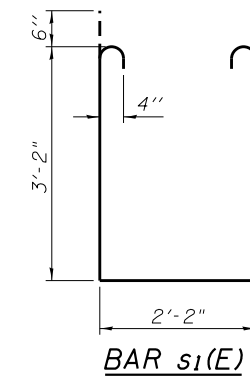
MINIMUM BAR LAP
(Parapet)
#4 bar = 2'-0"
#8 bar = 5'-2"



PARAPET JOINT DETAILS

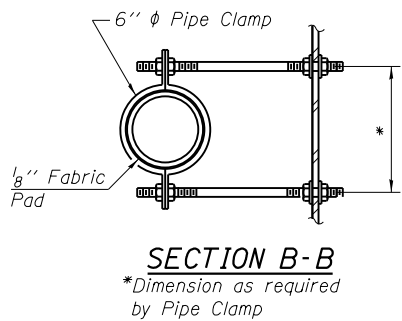
Notes:
The exterior surfaces of the floor drains shall be painted with the finish coat as specified in the special provisions for Cleaning and Painting New Metal Structures. The exterior surfaces of the drains shall be cleaned according to Society of Protective Coatings Spec. SSPC-SP1 prior to painting.
Fiberglass pipe shall conform to ASTM D 2996, with short-time rupture strength hoop tensile stress of 30,000 p.s.i. minimum.
Galvanize clamping device according to AASHTO M232. Cost of clamping device and inserts is included with Floor Drains.

BAR s(E)

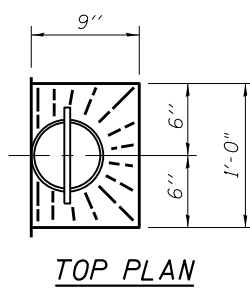


BAR s1(E)

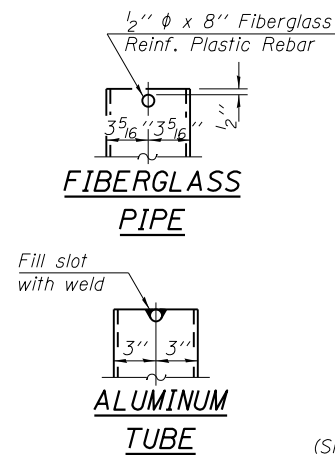
SECTION THRU PARAPET



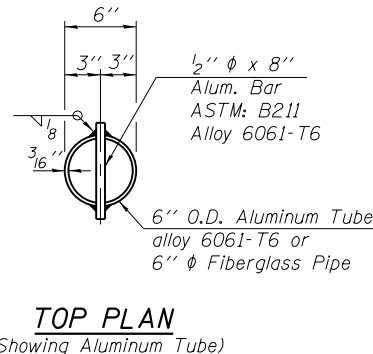
SECTION B-B
*Dimension as required by Pipe Clamp



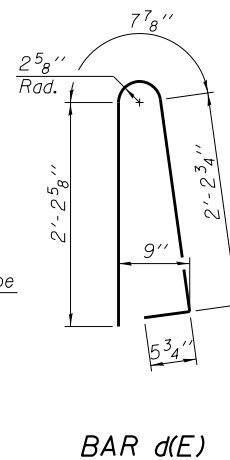
TOP PLAN



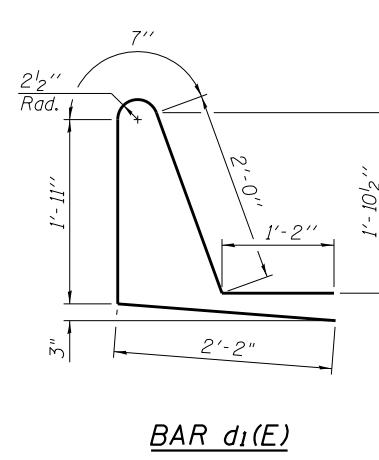
ALUMINUM TUBE



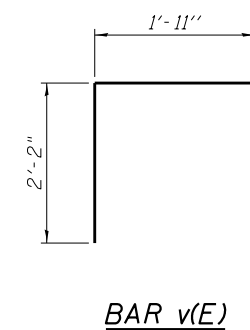
TOP PLAN
(Showing Aluminum Tube)



BAR d(E)



BAR d1(E)



BAR v(E)

SUPERSTRUCTURE BILL OF MATERIAL

Bar	No.	Size	Length	Shape
d(E)	296	#5	20'-9"	—
a1(E)	182	#5	20'-9"	—
a2(E)	294	#6	6'-6"	—
a3(E)	8	#5	23'-1"	—
b(E)	92	#5	35'-8"	—
b1(E)	108	#5	24'-8"	—
d(E)	152	#5	5'-7"	⌒
d1(E)	152	#5	7'-10"	⌒
e(E)	56	#4	16'-11"	—
e1(E)	6	#8	26'-4"	—
e2(E)	6	#4	24'-3"	—
m(E)	20	#6	23'-1"	—
m1(E)	24	#6	10'-1"	—
m2(E)	8	#6	7'-7"	—
m3(E)	4	#6	3'-2"	—
m4(E)	4	#6	3'-8"	—
s(E)	92	#5	6'-10"	⌒
s1(E)	84	#4	9'-6"	⌒
v(E)	88	#5	4'-1"	⌒
Reinforcement Bars, Epoxy Coated		Pound	25,640	
Concrete Superstructure		Cu. Yds.	121.0	

Bars indicated thus 1x3-#4 etc. indicates 1 line of bars with 3 lengths per line.

S-I-D 1-27-12



USER NAME =	DESIGNED - RJP	REVISED
PLOT SCALE =	CHECKED - MJT	REVISED
PLOT DATE =	DRAWN - JTF	REVISED
	CHECKED - MJT	REVISED

STATE OF ILLINOIS
DEPARTMENT OF TRANSPORTATION

SUPERSTRUCTURE DETAILS
STRUCTURE NO. 045-0078

SHEET NO. 10 OF 22 SHEETS

F.A.P. RT.E.	SECTION	COUNTY	TOTAL SHEETS	SHEET NO.
326	106X-B	KANE	87	48
				CONTRACT NO. 60N13

ILLINOIS FED. AID PROJECT