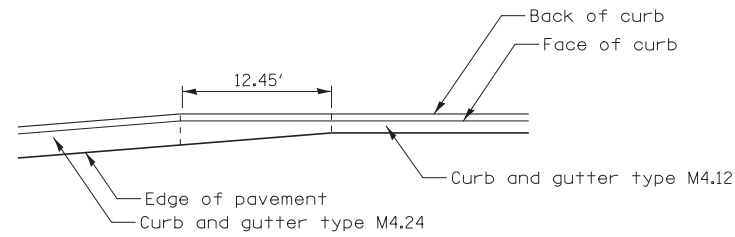
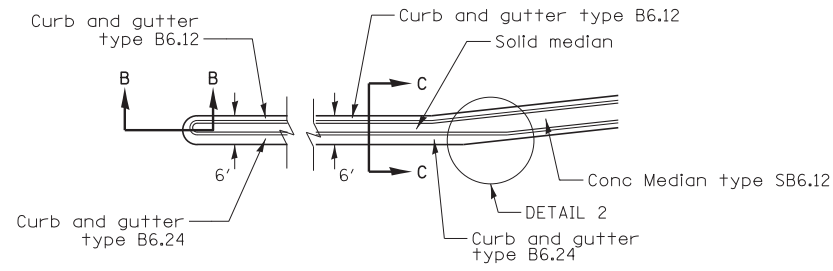


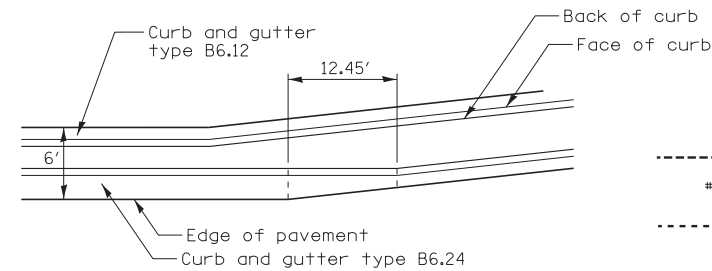
**PLAN
CONCRETE MEDIAN TYPE SM (SPECIAL)**
STA. 170+72.85 to STA. 173+51.74



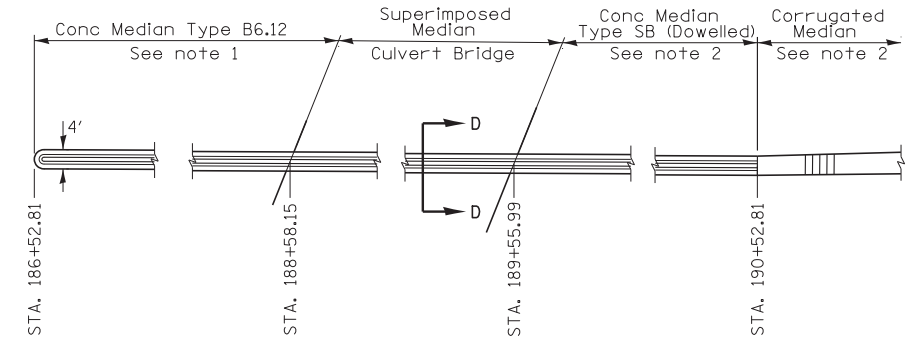
DETAIL 1



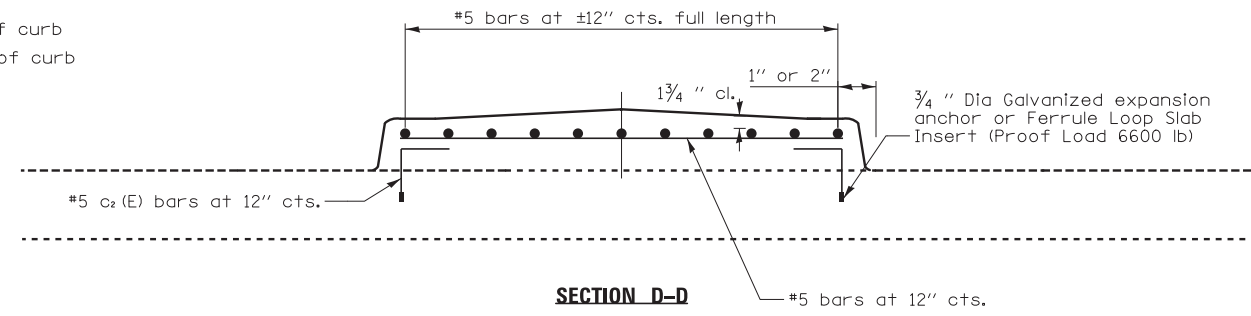
**PLAN
CONCRETE MEDIAN TYPE SB (SPECIAL)**
STA. 175+26.17 to STA. 177+27.77
STA. 179+41.17 to STA. 185+47.78



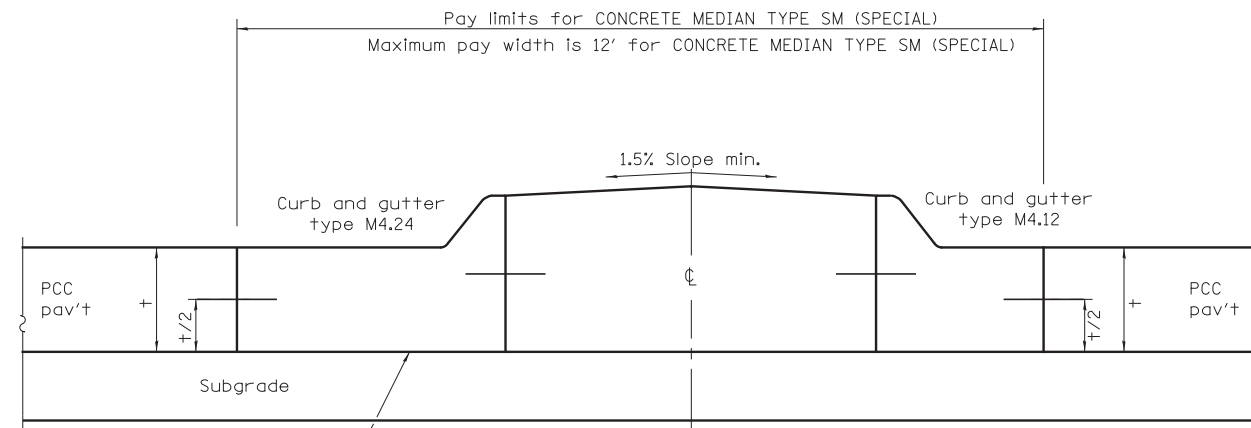
DETAIL 2



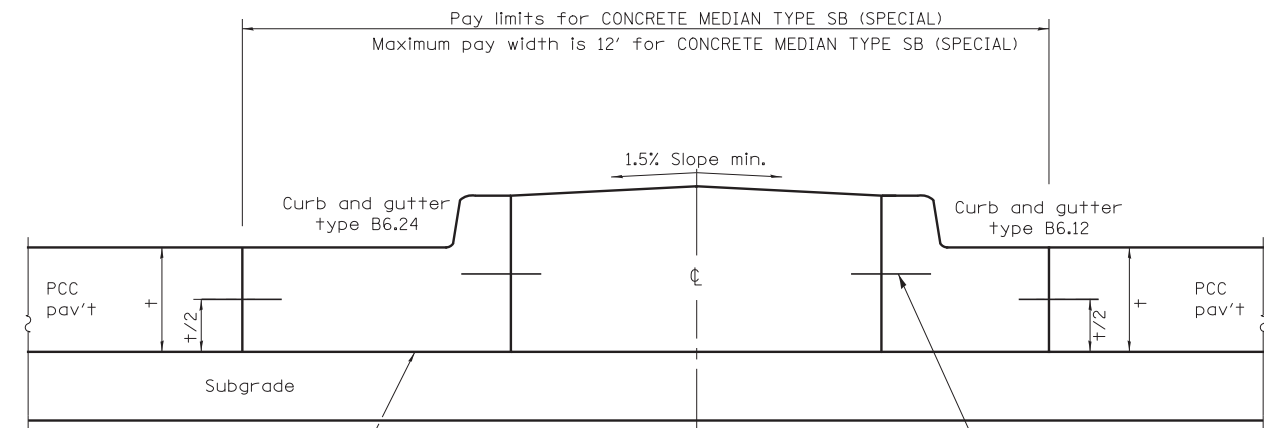
**PLAN
CONCRETE MEDIAN**
STA. 186+52.81 to STA. 195+17.83



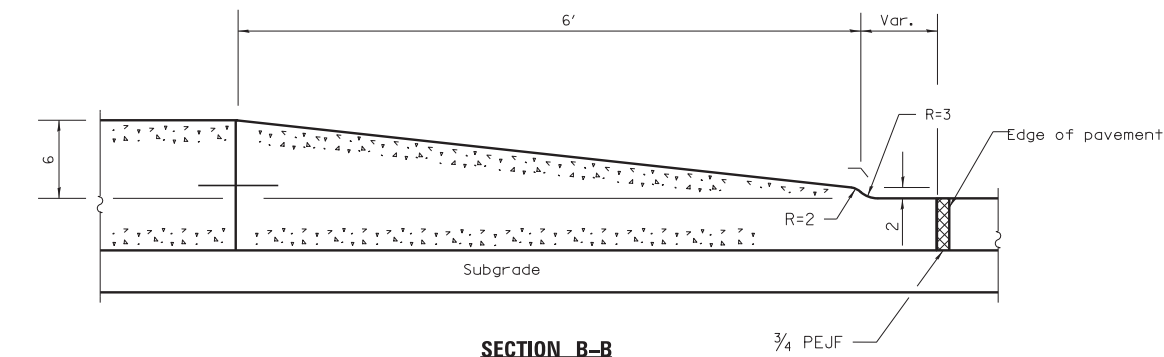
SECTION D-D



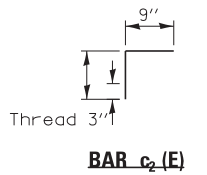
SECTION A-A



SECTION C-C



SECTION B-B



BAR c2 (E)

NOTES:

1. See IDOT standard 606001.
2. See District 1 standard BD-05.

GENERAL NOTES

- PEJF = Preformed expansion joint filler.
- Median layout and radii shall be as shown on the plans.
- See Standard 420001 and 606001 for details not shown.
- 3/4 PEJF conforming to the full cross section of the curb, gutter and median surface.
- t = Pavement thickness.
- All dimensions are in inches unless otherwise shown.



USER NAME = mkostr	DESIGNED LLS/MMK	REVISED -
	DRAWN MMK	REVISED -
PLOT SCALE = 20:1	CHECKED LLS	REVISED -
PLOT DATE = 23-OCT-2012	DATE 10/19/12	REVISED -

**STATE OF ILLINOIS
DEPARTMENT OF TRANSPORTATION**

**ROADWAY DETAILS
CONCRETE MEDIAN TYPE SB AND SM (SPECIAL)**

SCALE: N.T.S. SHEET NO. 4 OF 7 SHEETS STA. TO STA.

F.A.P. RTE.	SECTION	COUNTY	TOTAL SHEETS	SHEET NO.
330	0105-WRS	COOK	537	73
CONTRACT NO. 60P35				
ILLINOIS FED. AID PROJECT				

PD-04