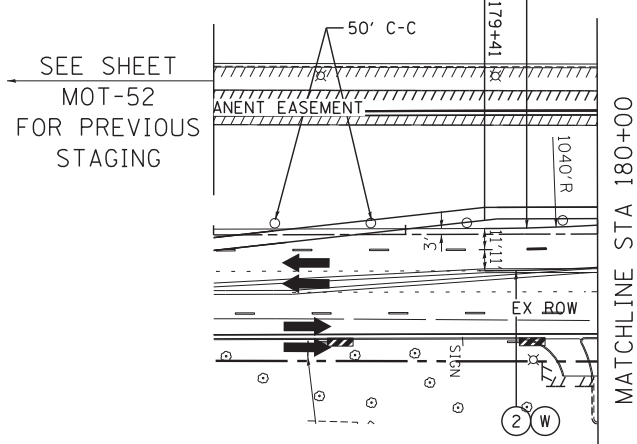
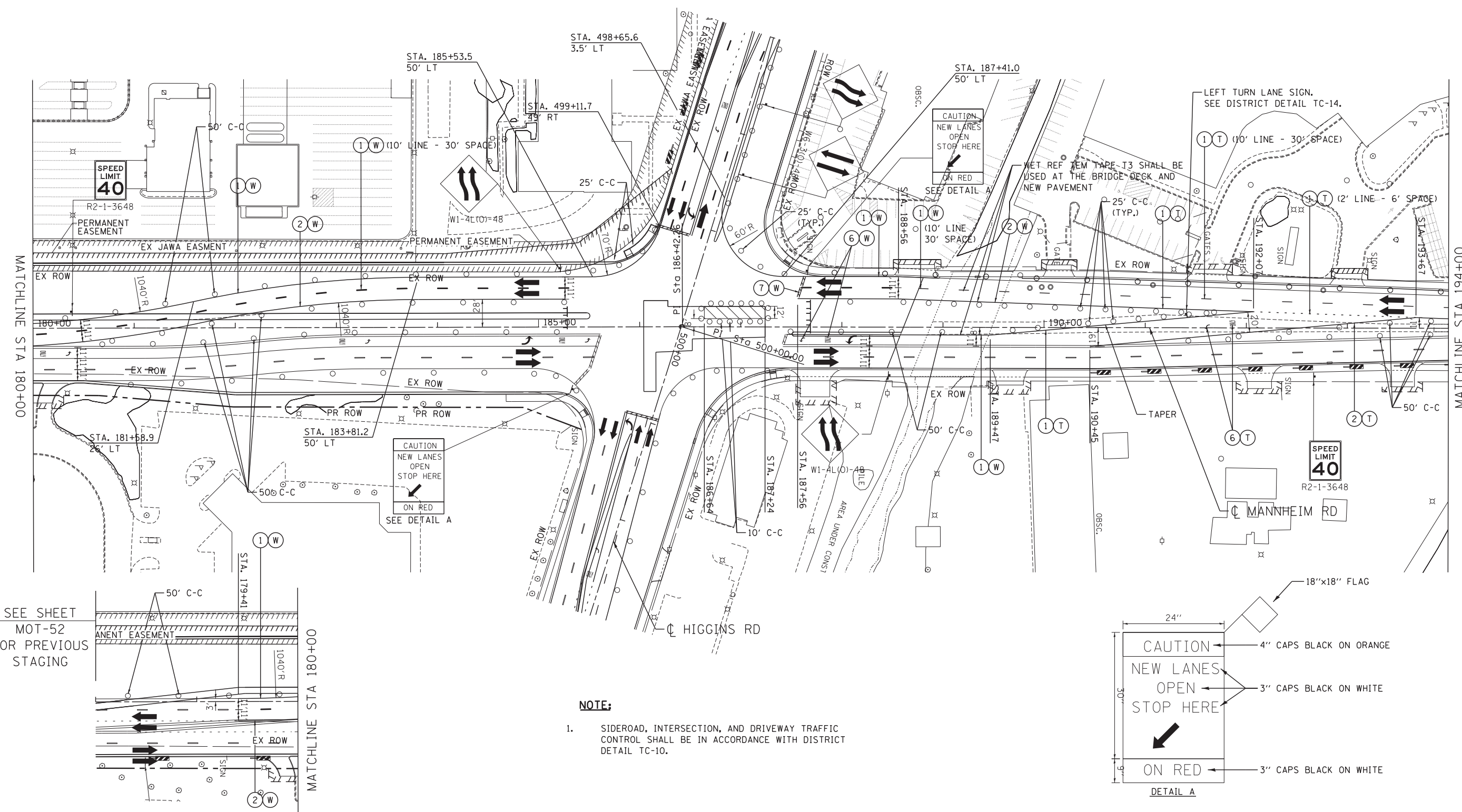
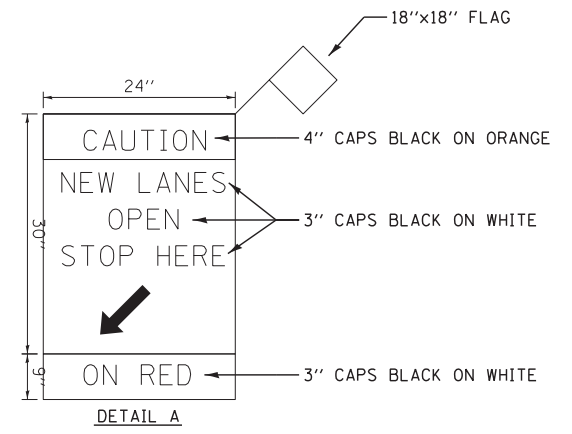


**MAINTENANCE OF TRAFFIC LEGEND**

	WORK AREA		TRAFFIC DIRECTION		ARROW BOARD		PVT MK - LINE 4" WHITE		PVT MK - LINE 24" WHITE
	TEMPORARY PAVEMENT (TO BE CONSTRUCTED IN CURRENT STAGE)		BARRICADE, TYPE III, W/ TYPE A BI-DIRECTIONAL FLASHING LIGHT		DOUBLE VERTICAL PANEL		PVT MK - LINE 4" YELLOW		PVT MK - LINE 8" WHITE
			TYPE II BARRICADES OR DRUMS W/ TYPE C STEADY BURN LIGHT		PROPOSED SIGN		PVT MK - DBL 4" YELLOW		TEMP PVT MK (SEE GENERAL NOTES SHT G-03)
			TYPE B MONO-DIRECTIONAL FLASHING LIGHT		TEMPORARY CONCRETE BARRIER		PVT MK - LINE 6" WHITE		WET REF TEM TAPE T3 (SEE GENERAL NOTES SHT G-03)
					RAMP CLOSED		PVT MK - LINE 12"		PERM PVT MK (SEE PVT MK PLANS)



**NOTE:**  
1. SIDEROAD, INTERSECTION, AND DRIVEWAY TRAFFIC CONTROL SHALL BE IN ACCORDANCE WITH DISTRICT DETAIL TC-10.



9888-ref\_11st\_name8888  
 10-22-2012 18:01:41  
 MOHAMMAD F:\DOC\EXP\CHI-00012584-02\COMMON\SET\TEMP\SET\PL01\DI00P35-SHT-STAGING2L6.DGN

FILE NAME =	USER NAME = *USER*	DESIGNED - BRH	REVISED -
*FILEL*		DRAWN - JZP	REVISED -
	PLOT SCALE = *SCALE*	CHECKED - KDA	REVISED -
	PLOT DATE = *DATE*	DATE - 10/19/12	REVISED -

**STATE OF ILLINOIS  
DEPARTMENT OF TRANSPORTATION**

**MAINTENANCE OF TRAFFIC  
STAGE 2 - SUB-STAGE D**

SCALE: 1"=50' SHEET NO. OF SHEETS STA. 180+00 TO STA. 194+00

F.A. RTE.	SECTION	COUNTY	TOTAL SHEETS	SHEET NO.
	0105-WRS	COOK	537	150
CONTRACT NO. 60P35				
ILLINOIS FED. AID PROJECT				

MOT-69