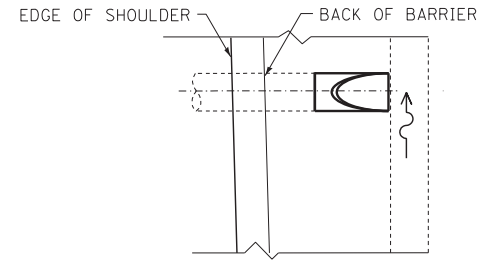
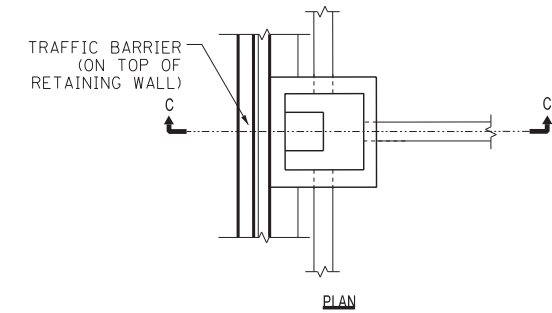


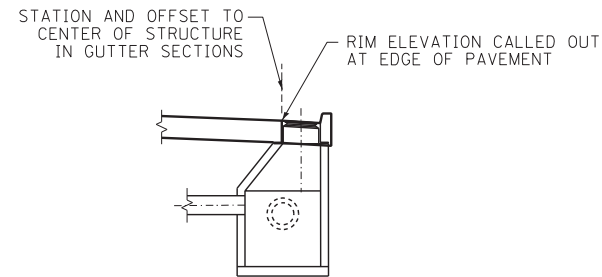
ELEVATION - FLARED END SECTION



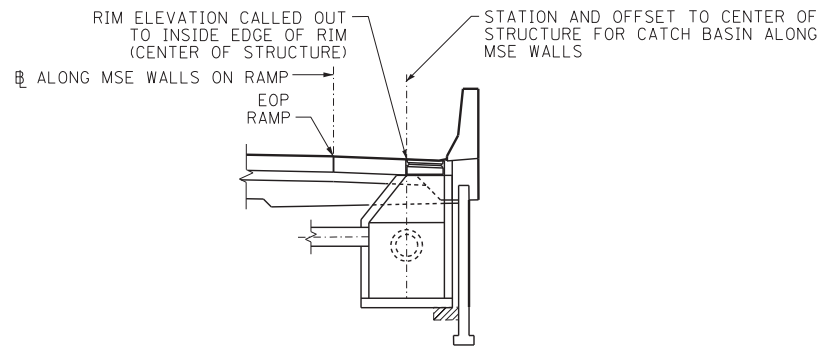
PLAN VIEW - FLARED END SECTION



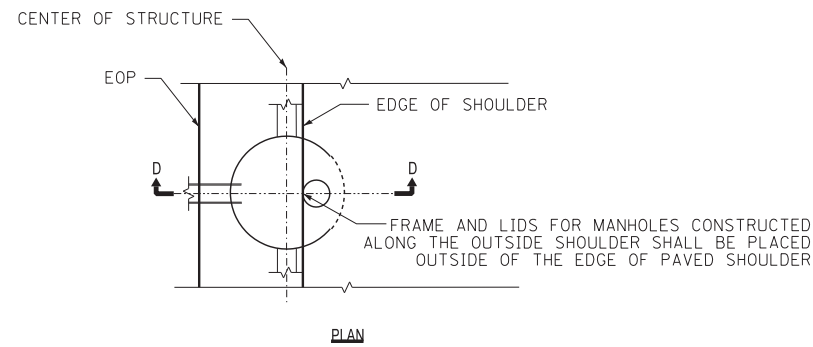
PLAN VIEW - CATCH BASINS ALONG RETAINING WALLS



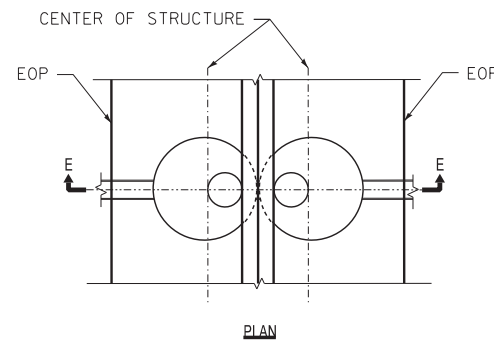
ELEVATION - CATCH BASIN W/CURB & GUTTER



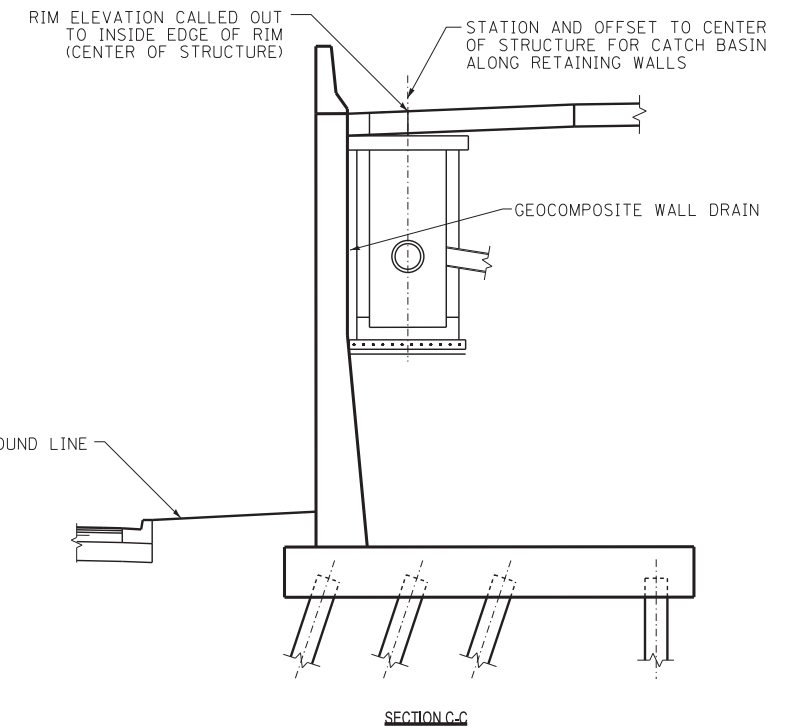
ELEVATION - CATCH BASINS ALONG MSE WALLS



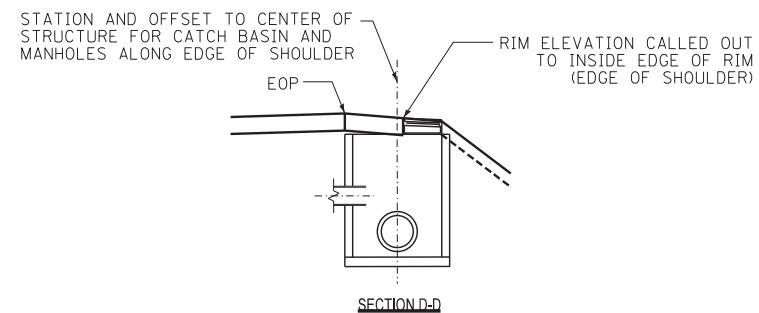
PLAN - MANHOLES ALONG OUTSIDE SHOULDER



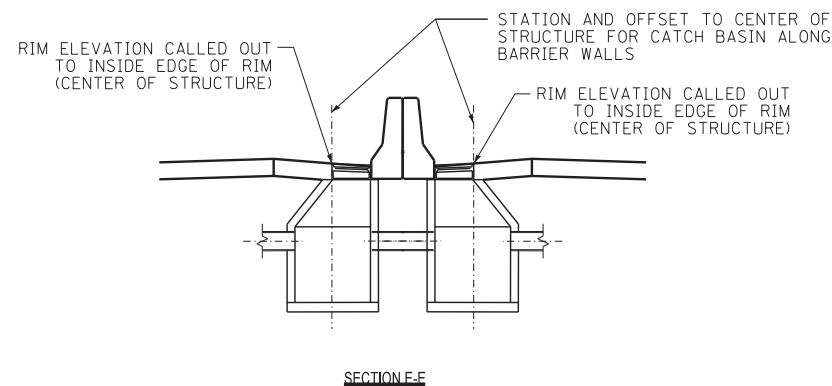
PLAN VIEW - CATCH BASINS AT BARRIER WALLS



ELEVATION - CATCH BASIN ALONG RETAINING WALLS



ELEVATION - MANHOLES ALONG OUTSIDE SHOULDER



ELEVATION - CATCH BASINS AT BARRIERS WALLS

F:\DOC\EXP\CHI-00012584-02\COMMON\SET\TEMP\SET\PL01\DI60P35-SHT-DRINET_065.DGN
 BAJZEKJ
 10-05-2012, 14:51:25
 -DI60P35-BORBERT.DGN

FILE NAME =
 FILEL
TENG TENG & ASSOCIATES, INC.
 ENGINEERS/ARCHITECTS/PLANNERS
 CHICAGO, ILLINOIS

USER NAME = *USER*	DESIGNED - TKL	REVISED -
PLOT SCALE = *SCALE*	DRAWN - KC	REVISED -
PLOT DATE = *DATE*	CHECKED - MCD	REVISED -
	DATE - 10/19/12	REVISED -

STATE OF ILLINOIS
DEPARTMENT OF TRANSPORTATION

DRAINAGE DETAILS

SCALE: N.T.S. SHEET NO. OF SHEETS STA. TO STA.

F.A. RTE.	SECTION	COUNTY	TOTAL SHEETS	SHEET NO.
	0105-WRS	COOK	537	192
CONTRACT NO. 60P35				
ILLINOIS FED. AID PROJECT				

DD-06