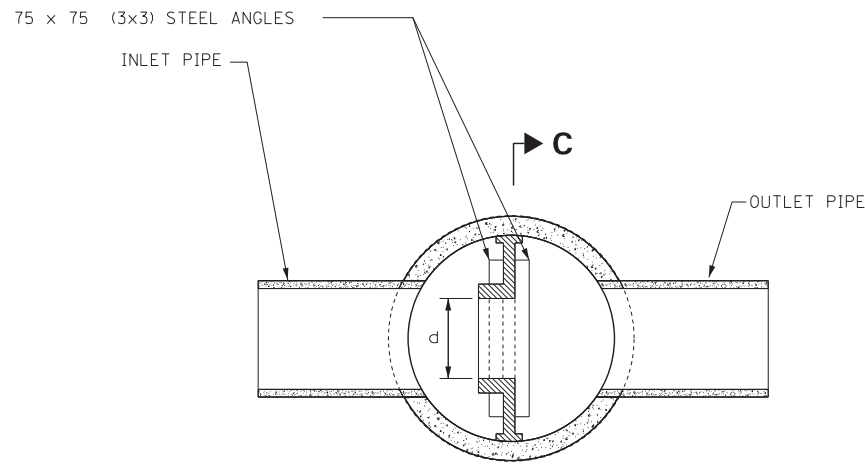
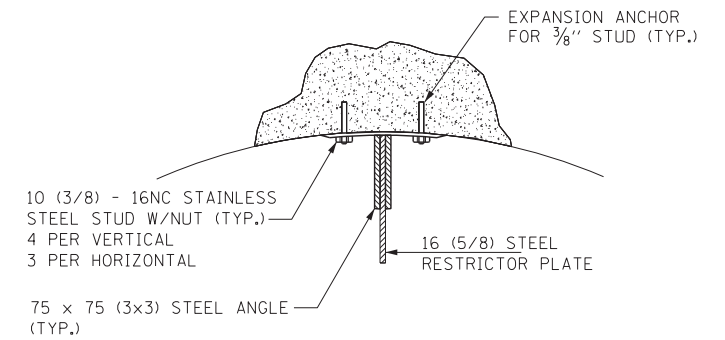


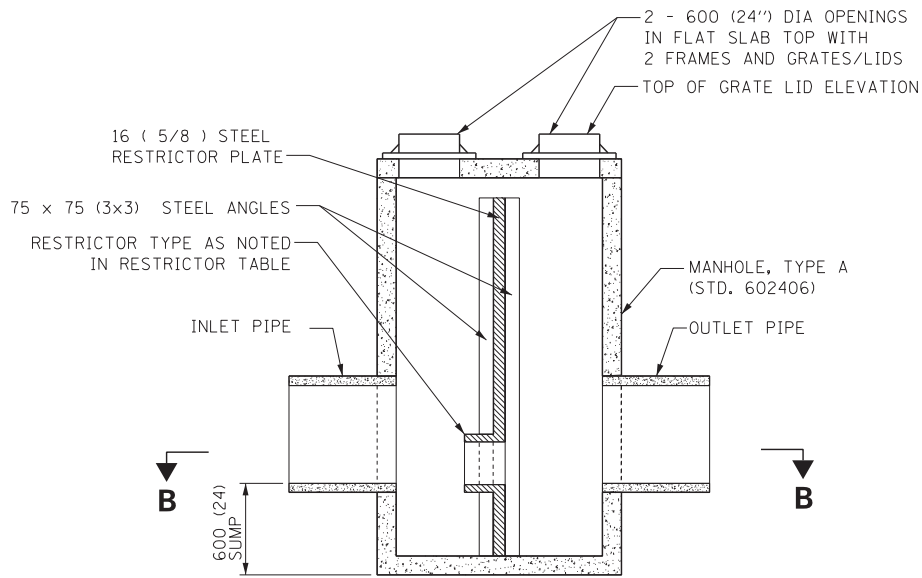
PLAN



SECTION B-B



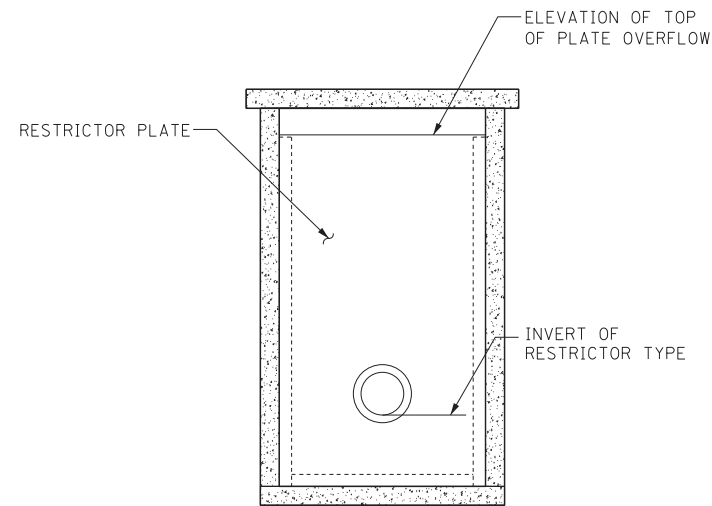
ANGLE FASTENER DETAIL



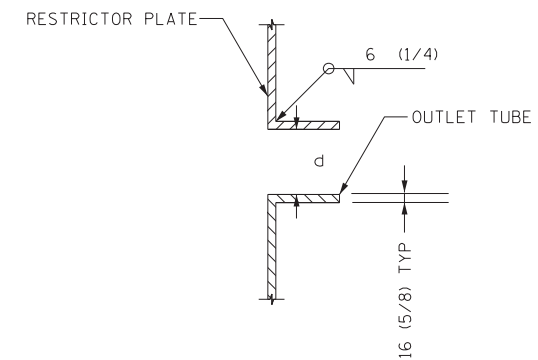
SECTION A-A

**MANHOLE WITH RESTRICTOR PLATE**

N.T.S.



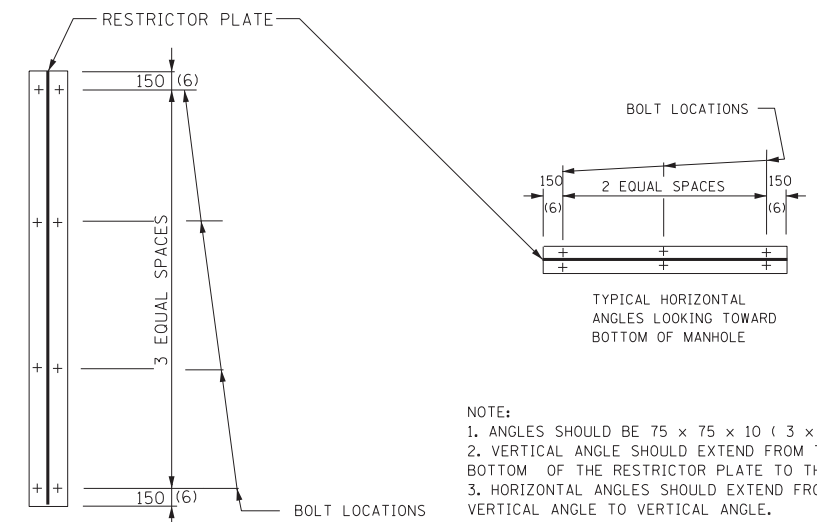
SECTION C-C



INLET TUBE DETAIL

RESTRICTOR TYPE
2
SHARP EDGED
C-61

STR. ID	STATION OFFSET	MANHOLE DIAMETER	FRAME AND GRATE	RESTRICTOR TYPE	INSIDE RESTRICTOR TYPE DIA	INVERT OF RESTRICTOR TYPE	ELEVATION OF TOP OF PLATE OVERFLOW
996	175+35, 60.9' RT	6'	TIFCL	2	20.5"	631.1	634.9



STEEL ANGLE BOLTING DETAILS

- NOTE:
1. ANGLES SHOULD BE 75 x 75 x 10 ( 3 x # x 3/4 ).
  2. VERTICAL ANGLE SHOULD EXTEND FROM THE BOTTOM OF THE RESTRICTOR PLATE TO THE TOP.
  3. HORIZONTAL ANGLES SHOULD EXTEND FROM VERTICAL ANGLE TO VERTICAL ANGLE.

F:\DOC\EXP\CHI-00012584-02\COMMON\SET\TEMP\SET\PL01\DI60P35-SHT-DRINET\_07.DGN  
 BAJZEKJ  
 10-05-2012, 14:51:26  
 TENG & ASSOCIATES, INC.  
 ENGINEERS/ARCHITECTS/PLANNERS  
 CHICAGO, ILLINOIS

FILE NAME =	USER NAME = *USER*	DESIGNED - TKL	REVISED -
*FILEL*		DRAWN - KC	REVISED -
	PLOT SCALE = *SCALE*	CHECKED - MCD	REVISED -
	PLOT DATE = *DATE*	DATE - 10/19/12	REVISED -

STATE OF ILLINOIS  
DEPARTMENT OF TRANSPORTATION

DRAINAGE DETAILS

SCALE: N.T.S. SHEET NO. OF SHEETS STA. TO STA.

F.A. RTE.	SECTION	COUNTY	TOTAL SHEETS	SHEET NO.
	0105-WRS	COOK	537	193
CONTRACT NO. 60P35				
ILLINOIS FED. AID PROJECT				

DD-07