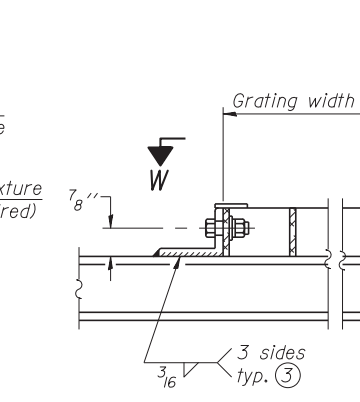
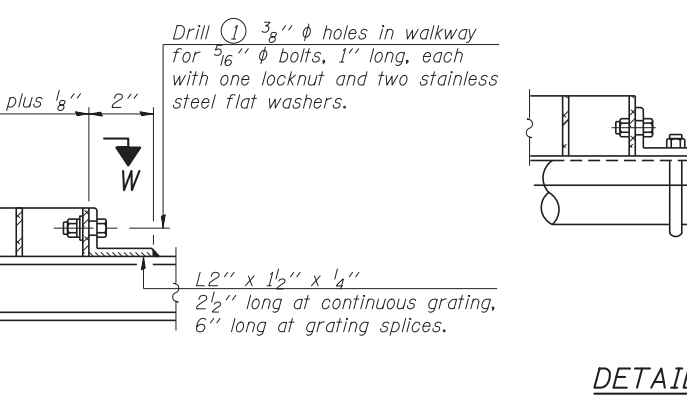


(CONTINUOUS WALKWAY GRATING)

(AT WALKWAY GRATING SPLICE)



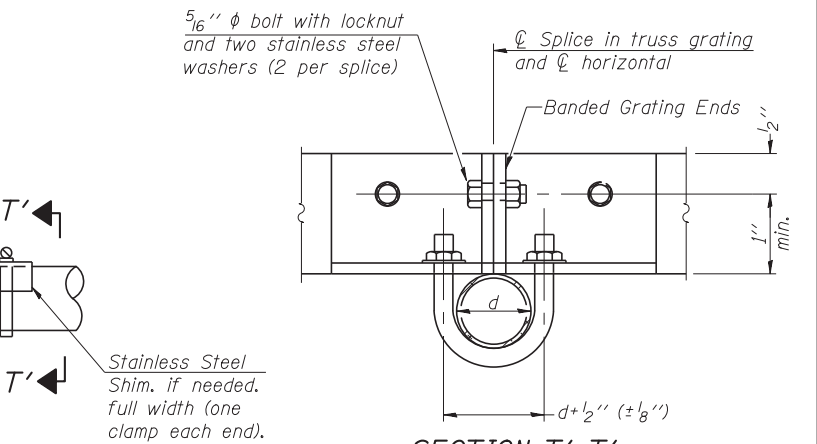
DETAIL W
(Walkway grating)



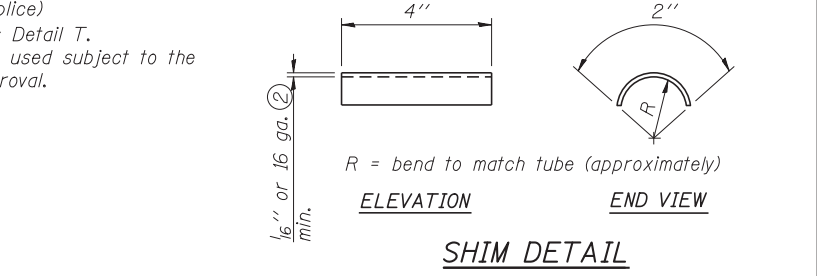
DETAIL T'
(Truss grating splice)

SPECIFICATIONS FOR STANDARD ALUMINUM GRATING
 Main Bearing Bars (MBB) shall be 3/16" x 1 1/2" on 1 3/16" centers and conform to ASTM B211 Alloy 6061-T6.
 Cross bars (CB) shall be 3/16" x 1 1/2" on 4" centers and conform to ASTM B221 Alloy 6063-T5 or 6061-T6.

OR
 Aluminum Grating with modified "t" sections for main bearing bars shall meet the following requirements:
 Main bars shall conform to ASTM B221 Alloy 6061-T6 and have a minimum section modulus equal to 0.0705 in.³ per bar, a depth of 1 1/2", spaced on 1 3/16" centers.
 Cross bars shall conform to ASTM B221 Alloy 6063-T5 or T-42 and spaced on 4" centers.

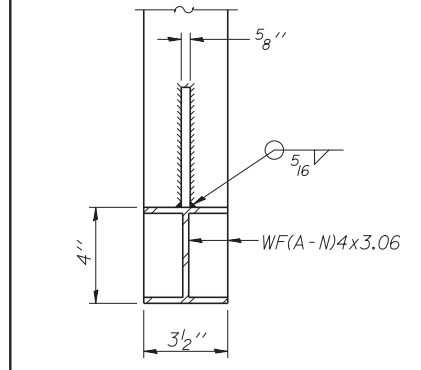


SECTION T'-T'

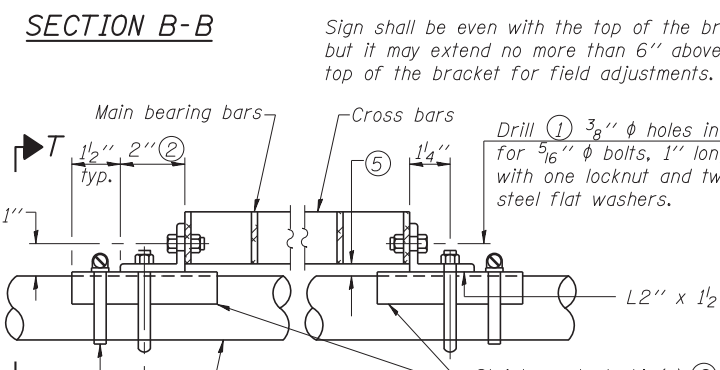


SHIM DETAIL

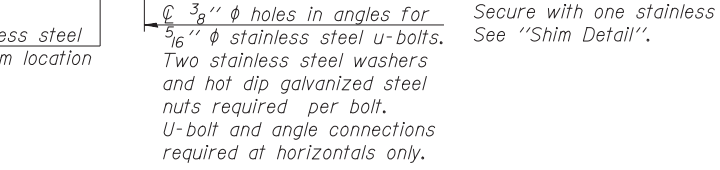
- ① Drilling holes in grating may be done in shop or field, based on Contractor's preference and subject to accurate alignment.
- ② Stainless steel shims shall be placed as shown in Detail T if needed to compensate for alignment variations between horizontal and diagonal pipes beyond adjustment provided by angles. Thicker shims may be used subject to shims performing properly.
- ③ If Handrail Joint present, weld angle to WF(A-N)4 and 1/4" extension bars. (See Base Sheet OSC-A-8.)
- ④ 1/8" x 1/2" x 2" welded to handrail posts to protect locations that contact grating.
- ⑤ Tube to grating gap may vary from 0 to 1/2", max. to align walkway, allow for camber, etc.
- ⑥ Based on actual sign height, D_s, given on Sheet S-1 of 8.



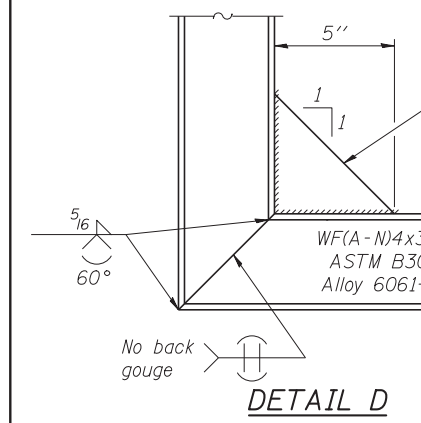
SECTION B-B



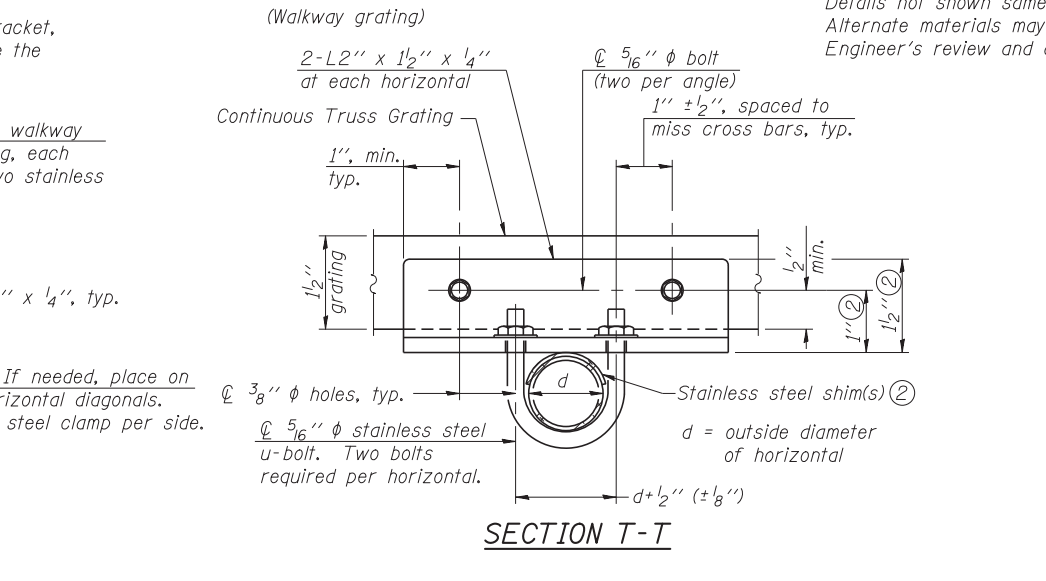
SECTION D-D



DETAIL T
(Continuous Truss grating)



DETAIL D



SECTION T-T

Structure Number	Station	A	⑥ B	C	⑥ D
1C016U045R006.2	122+00	6' 7/8"	---	5'-6"	---

Walkways are not required. This sheet is included to show, in Section B-B, the sign support/truss connection details.



USER NAME = lkalite	DESIGNED PCA	REVISED
CHECKED MRI	REVISOR	REVISOR
PLOT SCALE = 0.883333:1	DRAWN LK	REVISOR
PLOT DATE = 09-OCT-2012	DATE 10/19/12	REVISOR

STATE OF ILLINOIS
 DEPARTMENT OF TRANSPORTATION

CANTILEVER SIGN STRUCTURES - WALKWAY DETAILS
 ALUMINUM TRUSS & STEEL POST

F.A. RTE.	SECTION	COUNTY	TOTAL SHEETS	SHEET NO.
330	0105-WRS	COOK	537	224
CONTRACT NO. 60P35				
ILLINOIS FED. AID PROJECT				