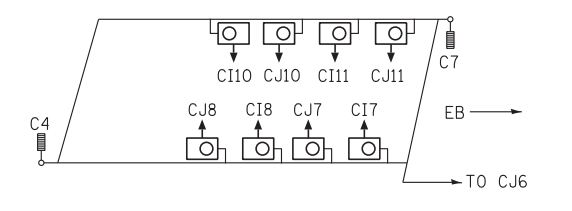
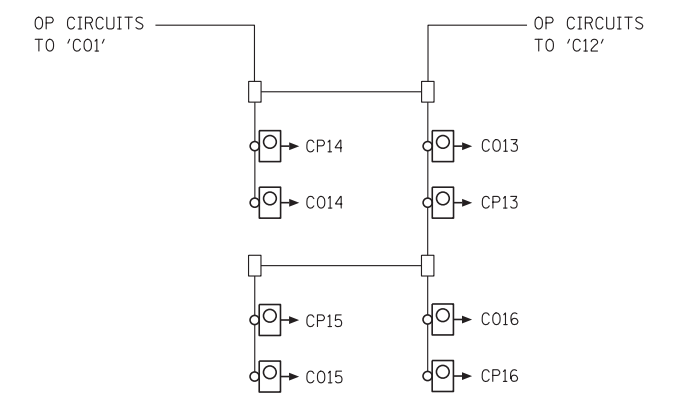


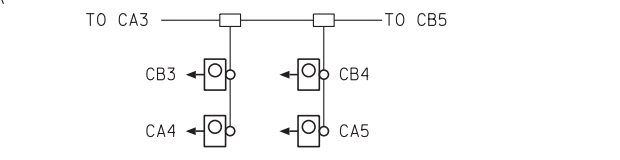
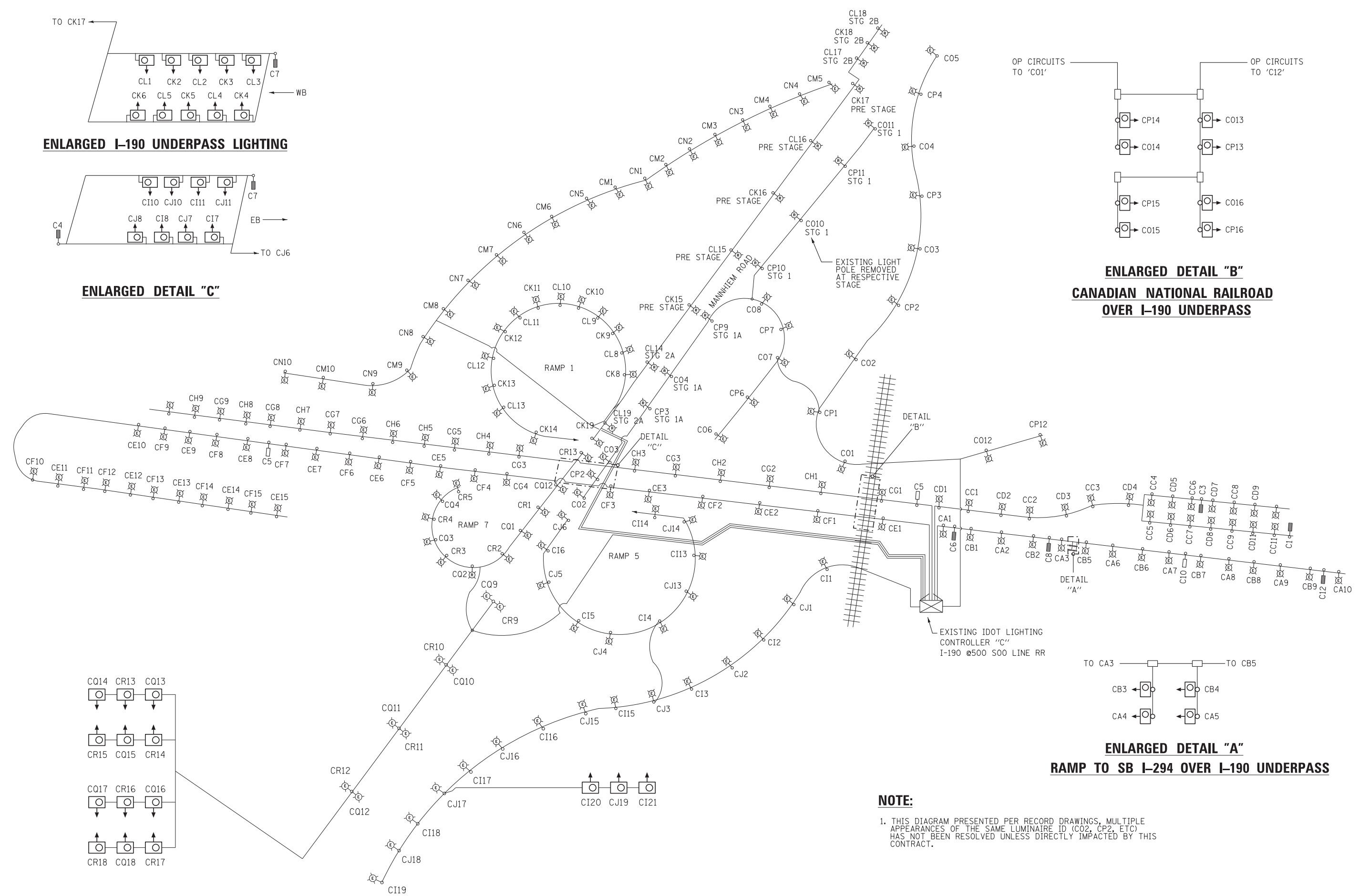
**ENLARGED I-190 UNDERPASS LIGHTING**



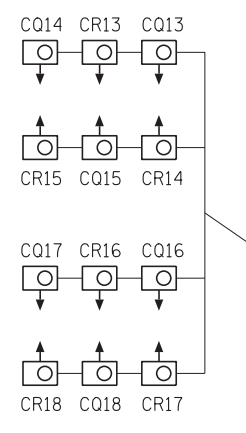
**ENLARGED DETAIL "C"**



**ENLARGED DETAIL "B"**  
**CANADIAN NATIONAL RAILROAD**  
**OVER I-190 UNDERPASS**



**ENLARGED DETAIL "A"**  
**RAMP TO SB I-294 OVER I-190 UNDERPASS**



**NOTE:**

1. THIS DIAGRAM PRESENTED PER RECORD DRAWINGS, MULTIPLE APPEARANCES OF THE SAME LUMINAIRE ID (C02, CP2, ETC) HAS NOT BEEN RESOLVED UNLESS DIRECTLY IMPACTED BY THIS CONTRACT.