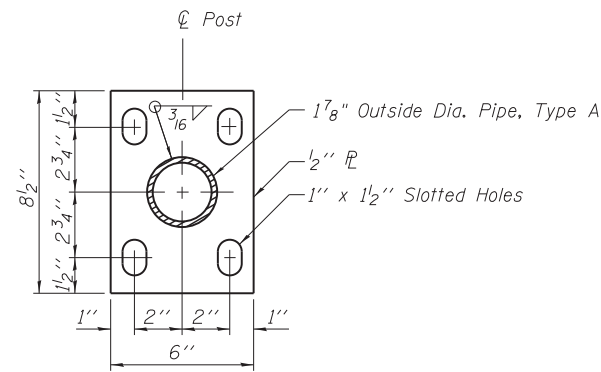


BILL OF MATERIAL

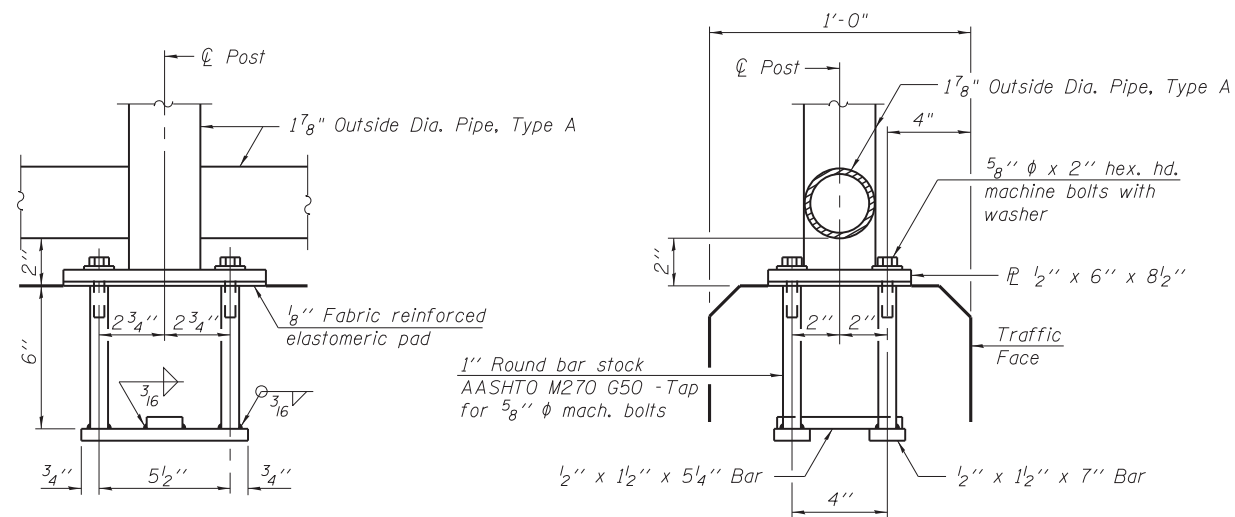
Item	Unit	Quantity
Chain Link Fence, 42" Attached to Structure (Special)	Foot	450



**BASE PL FOR CHAIN LINK FENCE
ATTACHED TO STRUCTURE**

(10'-0" Maximum Post Spacing)

All post, railing, splices, anchor devices, and bent plates shall be painted using the Inorganic Zinc/Acrylic System, color "Black".



ANCHOR BOLT DETAILS

In lieu of the cast-in-place anchor device shown, the Contractor has the option of drilling and setting 5/8" ϕ anchor rods according to Article 509.06 of the Standard Specifications. Embedment shall be according to the manufacturer's specifications.

C:\caddlib\pw\ssstegman\p\w\great_lakes\dms47849\016-Z009-60P35-07-DET.dgn



USER NAME =	DESIGNED - SEA	REVISED
	CHECKED - CJE	REVISED
PLOT SCALE =	DRAWN - SCS	REVISED
PLOT DATE = 10/19/2012	CHECKED - SEA	REVISED

**STATE OF ILLINOIS
DEPARTMENT OF TRANSPORTATION**

**MISCELLANEOUS DETAILS
STRUCTURE NO. 016-2009**

SHEET NO. 7 OF 10 SHEETS

F.A.P. RTE. 330	SECTION 0105-WRS	COUNTY COOK	TOTAL SHEETS 537	SHEET NO. 306
CONTRACT NO. 60P35				ILLINOIS FED. AID PROJECT