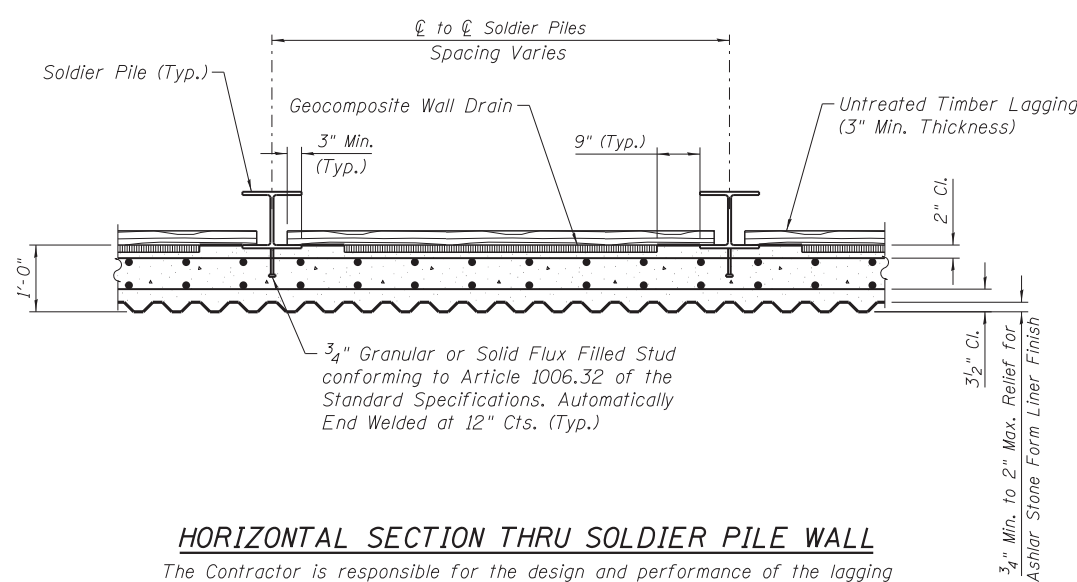
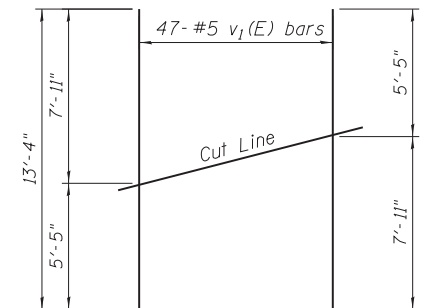


VERTICAL SECTION THRU SOLDIER PILE WALL WITH TYPE "B" GUTTER



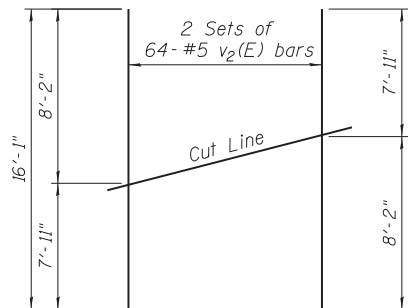
HORIZONTAL SECTION THRU SOLDIER PILE WALL

The Contractor is responsible for the design and performance of the lagging using no less than a 3 in. nominal rough-sawn thickness and timber with a minimum allowable bending stress of 1000 psi.



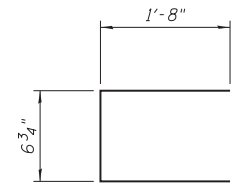
FIELD CUTTING DIAGRAM

Order v₁(E) full length. Cut as shown and use remainder of bars in opposite face.

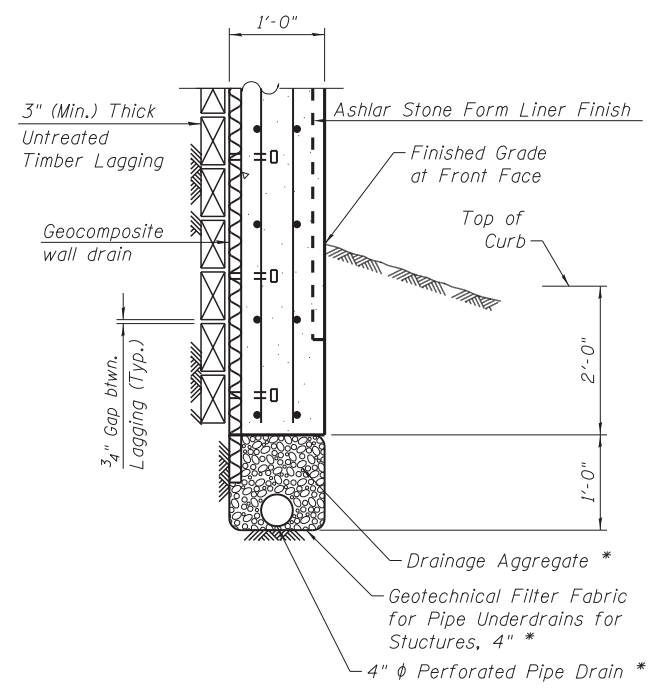


FIELD CUTTING DIAGRAM

Order v₂(E) full length. Cut as shown and use remainder of bars in opposite face.

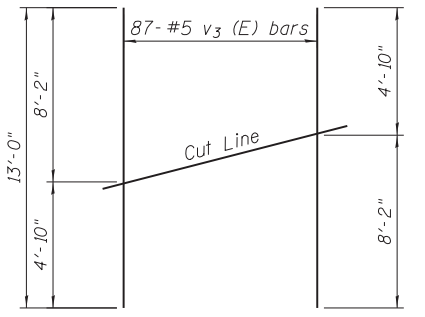


BAR d₁(E)



PIPE UNDERDRAIN DETAIL

* Included in the cost of Pipe Underdrains for Structures



FIELD CUTTING DIAGRAM

Order v₃(E) full length. Cut as shown and use remainder of bars in opposite face.

BILL OF MATERIAL STRUCTURE NO. 016-2010

Bar	No.	Size	Length	Shape
d ₁ (E)	88	#5	3'-11"	U
h ₁ (E)	18	#5	46'-9"	—
h ₂ (E)	108	#5	44'-4"	—
h ₃ (E)	54	#5	30'-8"	—
v ₁ (E)	47	#5	13'-4"	—
v ₂ (E)	256	#5	16'-1"	—
v ₃ (E)	87	#5	13'-0"	—
Reinforcement bars, epoxy coated			Pounds	14,090
Concrete Structures			Cu. Yds.	112.6

C:\caddlib\pw\ssfeqman\pwgreat_lakes\dms47849\016-2010-60P35-06-Def.dgn



USER NAME =	DESIGNED - SEA	REVISED
PLOT SCALE =	CHECKED - CJE	REVISED
PLOT DATE = 10/19/2012	DRAWN - SCS	REVISED
	CHECKED - SEA	REVISED

STATE OF ILLINOIS DEPARTMENT OF TRANSPORTATION

TYPICAL SECTIONS AND DETAILS STRUCTURE NO. 016-2010

SHEET NO. 6 OF 10 SHEETS

F.A.P. RTE. 330	SECTION 0105-WRS	COUNTY COOK	TOTAL SHEETS 537	SHEET NO. 315
ILLINOIS FED. AID PROJECT			CONTRACT NO. 60P35	