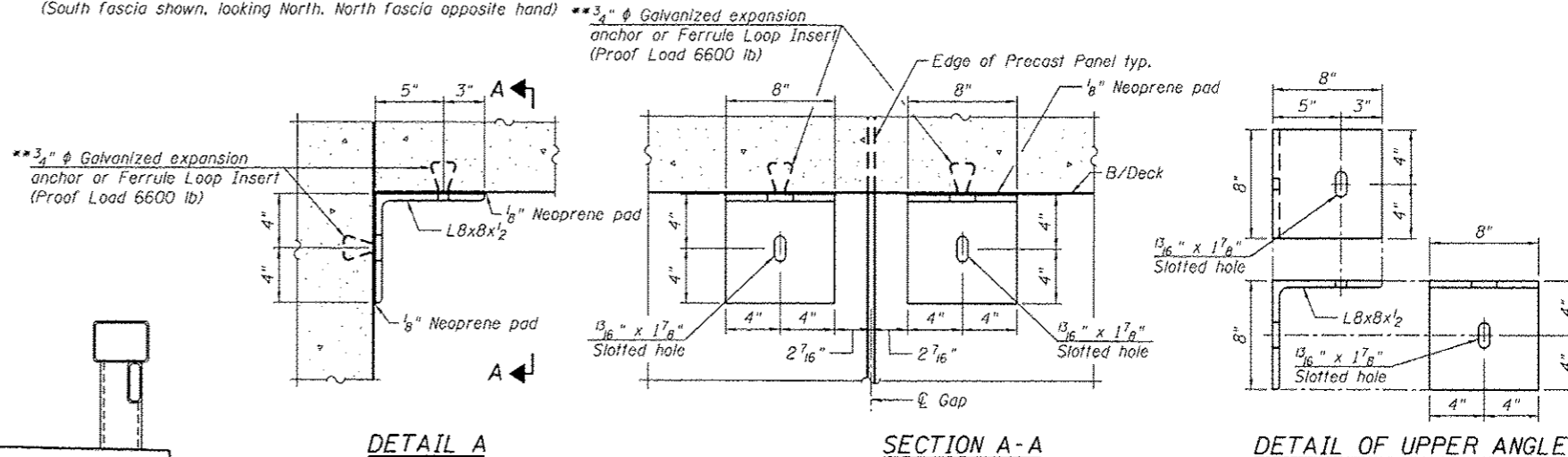


ELEVATION

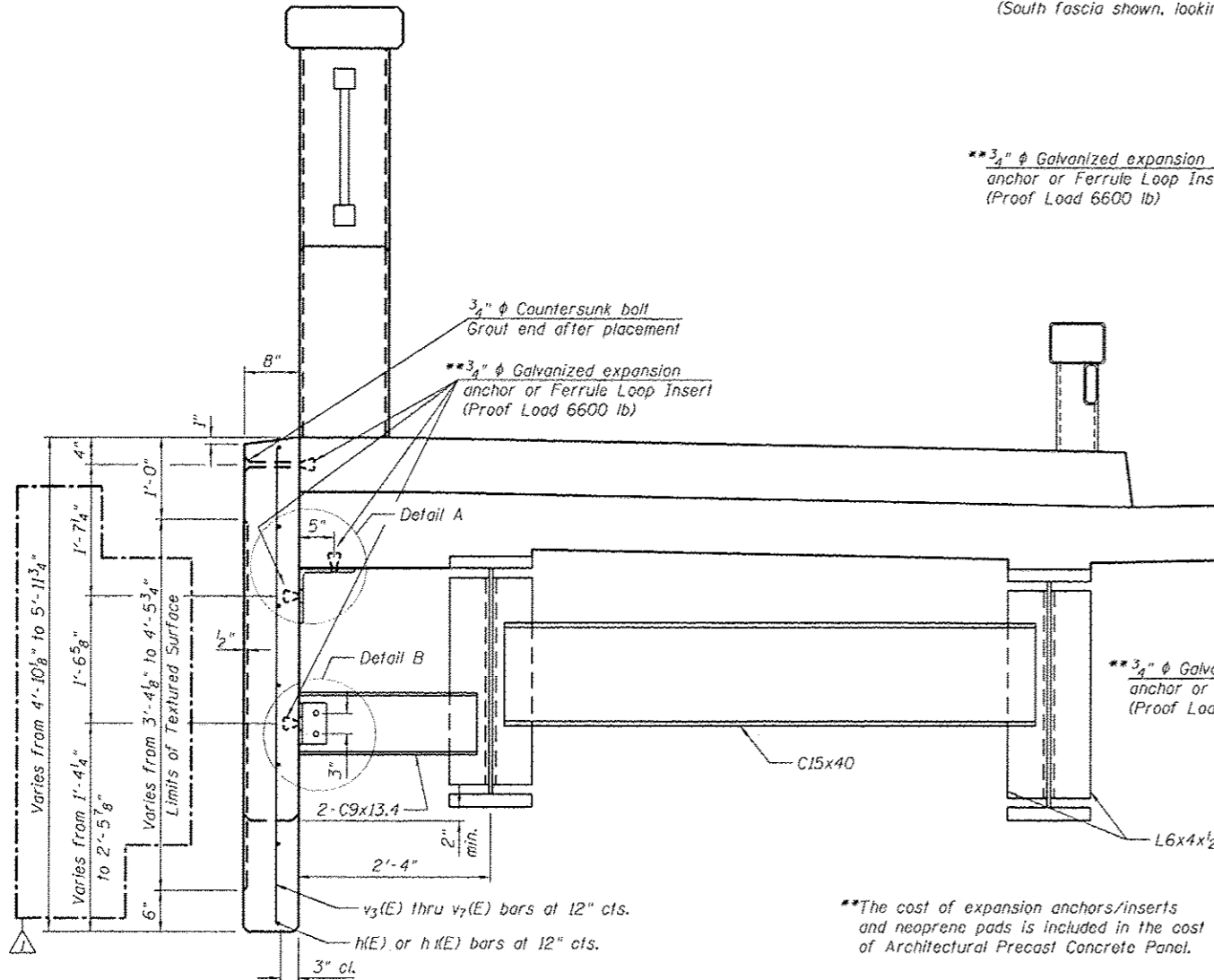
(South fascia shown, looking North. North fascia opposite hand)



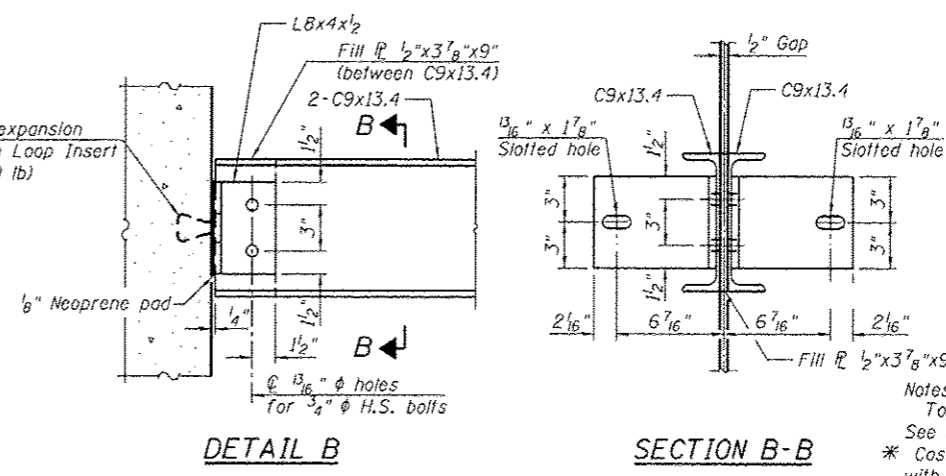
DETAIL A

SECTION A-A

DETAIL OF UPPER ANGLE



TYPICAL SECTION



DETAIL B

SECTION B-B

BILL OF MATERIAL

Bar	No.	Size	Length	Shape	
h(E)	28	#5	1'-8"	—	
h1(E)	104	#5	9'-1"	—	
v3(E)	12	#5	5'-8"	—	
v4(E)	40	#5	5'-7"	—	
v5(E)	40	#5	5'-2"	—	
v6(E)	40	#5	4'-10"	—	
v7(E)	40	#5	4'-7"	—	
* Reinforcement Bars, Epoxy Coated				Pound	1,950
* Architectural Precast Concrete Panel				Each	20

Notes:
 Top of panel is parallel to profile grade line. See sheet 1 of 30.
 * Cost of Reinforcement Bars, Epoxy Coated is included with Architectural Precast Concrete Panel. The L8x8¹/₂, L8x4x¹/₂ and ¹/₂" fill plates detailed are paid for as Furnishing and Erecting Structural Steel.

**The cost of expansion anchors/inserts and neoprene pads is included in the cost of Architectural Precast Concrete Panel.

12/31/2012 03:31:35 AM - G:\CADD\SSA\Br\cadd\Sheets\0162844-0160131-18-FASSET.dgn



USER NAME = jrmckow	DESIGNED - JRM	REVISION 12/19/2012 JRM
PLOT SCALE = 8/9" = 1'	CHECKED - MDS	REVISION -
PLOT DATE = 12/31/2012	DRAWN - DMG	REVISION -
	CHECKED - MDS	REVISION -

**STATE OF ILLINOIS
DEPARTMENT OF TRANSPORTATION**

**ARCHITECTURAL PRECAST CONCRETE PANEL
STRUCTURE NO. 016-2844**

SHEET NO. 18 OF 30 SHEETS

F.A.P. R.T.E. 0305	SECTION 11920.01, 1518, 2022 & 1922.4B/R	COUNTY COOK	TOTAL SHEETS 919	SHEET NO. 468
CONTRACT NO. 60T35			ILLINOIS FED. AID PROJECT	