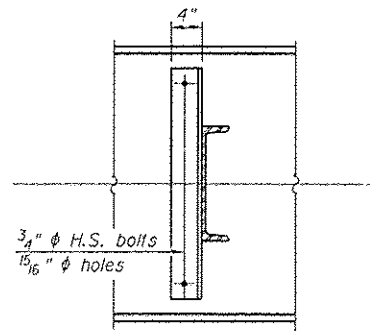
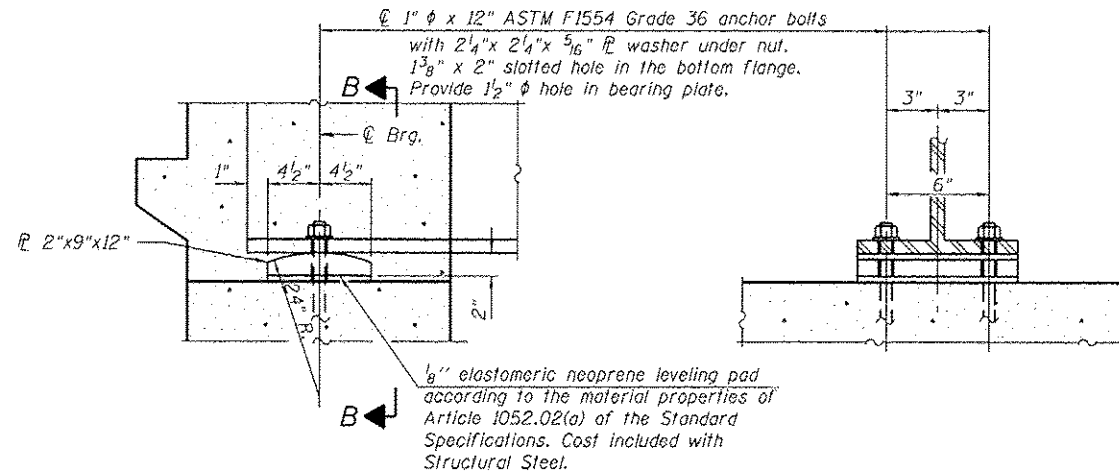


**INTERIOR DIAPHRAGM D**

Two hardened washers required for each set of oversized holes.



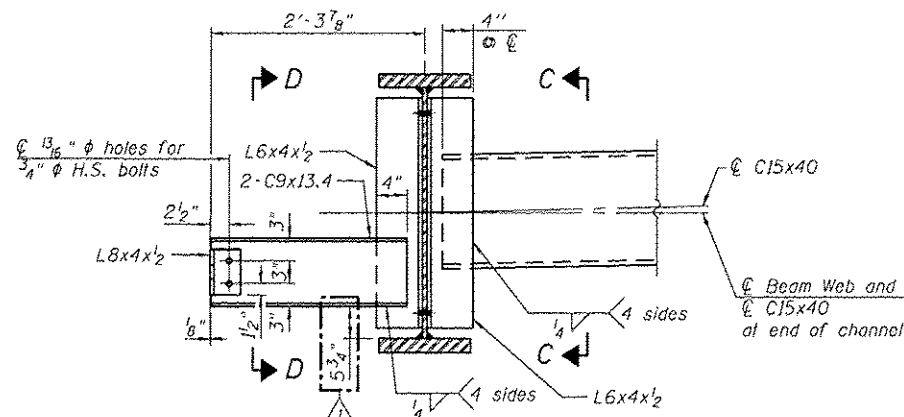
**SECTION C-C**



**ELEVATION AT ABUTMENT**

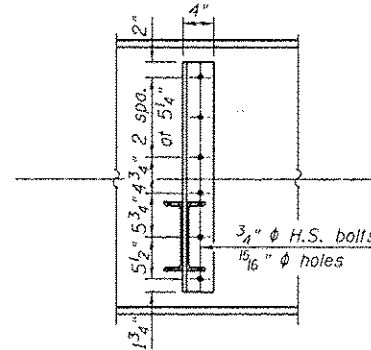
**SECTION B-B**

**FIXED BEARING**

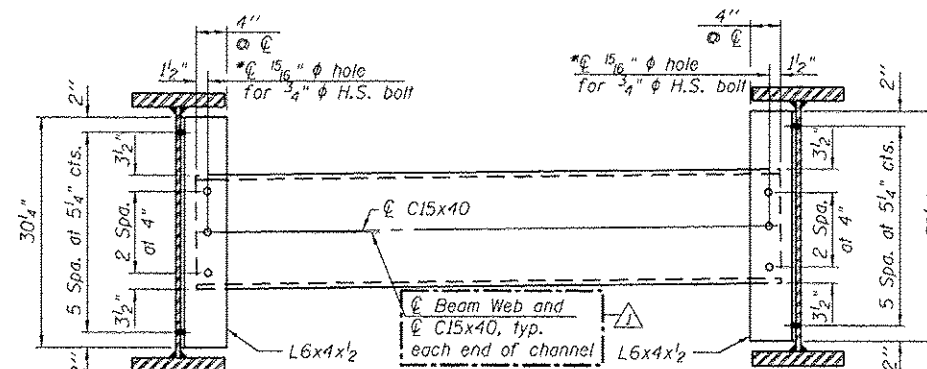


**INTERIOR DIAPHRAGM D1**

Two hardened washers required for each set of oversized holes.



**SECTION D-D**

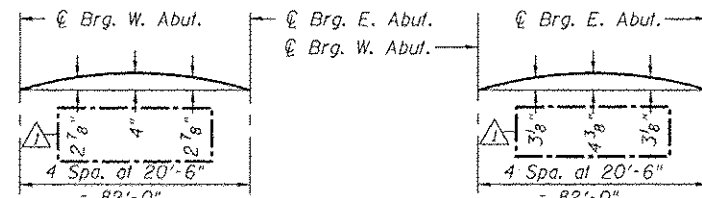


**INTERIOR DIAPHRAGM D2**  
(Between Girder 5 and Girder 6, looking East)

\* For the diaphragm connection between girder 5 and 6, only the top bolt hole shall be shop drilled in the connecting angle. The diaphragms shall be installed with a finger tightened bolts in the top holes prior to the Stage II deck pour. After the Stage II deck pour, the remaining holes in the connecting angle for the diaphragm shall be drilled using the holes in the diaphragm as a template. Install and tighten the remaining bolts. Cost of field drilling included with Furnishing and Erecting Structural Steel.

**BILL OF MATERIAL**

Item	Unit	Total
Anchor Bolts, 1"	Each	44



**CAMBER DIAGRAM**

(Includes all non-composite dead load, superimposed dead load and vertical profile adjustment.)

**TOP OF WEB ELEVATIONS**

Beam	W. Abut.	E. Abut.
1	632.17	632.15
2	632.00	631.98
3	632.14	632.12
4	632.28	632.26
5	632.42	632.40
6	632.56	632.54
7	632.42	632.40
8	632.28	632.26
9	632.14	632.12
10	632.00	631.98
11	632.17	632.15

"For fabrication only"

Notes:

Anchor bolts shall be ASTM F1554 all-thread (or an Engineer-approved alternate material) of the grade(s) and diameter(s) specified. The corresponding specified grade of AASHTO M314 anchor bolts may be used in lieu of ASTM F1554.  
Anchor bolts at fixed bearings may be either cast in place or installed in holes drilled after the supported member is in place.  
Drilled and set anchor bolts shall be installed according to Article 521.06 of the Standard Specifications.  
All diaphragms shall be installed as steel is erected and secured with erection pins and bolts except as otherwise noted. Individual diaphragms at supports may be temporarily disconnected to install bearing anchor rods.

12/31/2012 10:37:36 AM - G:\CHINA\58\B7\gga\cadd\Sheets\162844-D60T35-20-890.dgn



USER NAME: jrmichon	DESIGNED: JRM	REVISED: 12/19/2012 JRM
PLOT SCALE: 2/8" = 1' / 32"	CHECKED: MDS	REVISED: -
PLOT DATE: 12/31/2012	DRAWN: DMG	REVISED: -
	CHECKED: MDS	REVISED: -

STATE OF ILLINOIS  
DEPARTMENT OF TRANSPORTATION

STRUCTURAL STEEL DETAILS  
STRUCTURE NO. 016-2844

SHEET NO. 20 OF 30 SHEETS

F.A.P. R.I.E.	SECTION	COUNTY	TOTAL SHEETS	SHEET NO.
0305	1920.01.1518.2022&1922.4BR	COOK	919	470
CONTRACT NO. 60T35			ILLINOIS FED. AID PROJECT	