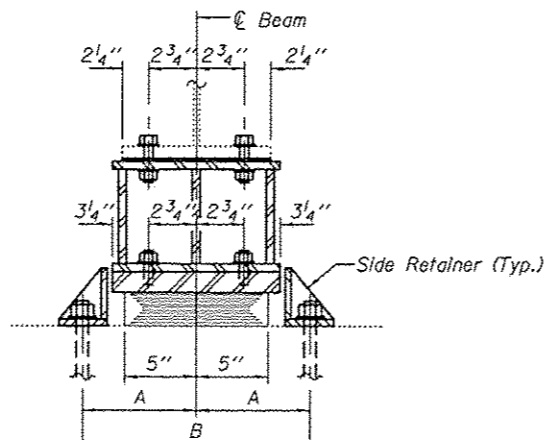


ELEVATION



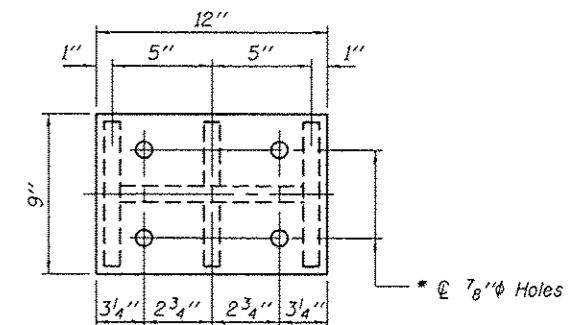
SECTION A-A

1" x 12" Anchor Bolts with 2 1/4" x 2 1/4" x 5/16" R washer under nut.

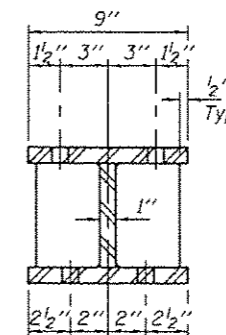
BEAM REACTIONS

R <sub>1</sub>	(K)	13.2
R <sub>2</sub>	(K)	23.0
Imp.	(K)	6.9
R (Total)	(K)	43.1

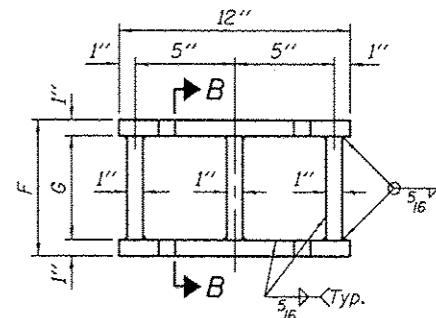
Notes:  
 Diaphragm removal and installation may be required to facilitate drilling holes. Cost included with Furnishing and Erecting Structural Steel.  
 New steel extensions, shim plates and connection bolts are included with Furnishing and Erecting Structural Steel.  
 Prior to ordering any material, the Contractor shall verify in the field all bearing height and shim thickness dimensions. Min. jack capacity = 25 Tons.  
 Anchor bolts shall be ASTM F1554 all-thread (or an Engineer-approved alternate material) of the grade(s) and diameter(s) specified. ASTM A307 Grade C anchor bolts may be used in lieu of ASTM F1554 Grade 36 (Fy=36ksi). The corresponding specified grade of AASHTO M314 anchor bolts may be used in lieu of ASTM F1554.  
 Drilled and set anchor bolts shall be installed according to Article 521.06 of the Standard Specifications.  
 Side retainers shall be included in the cost of Elastomeric Bearing Assembly, Type I.



PLAN TOP AND BOTTOM PLATE



SECTION B-B



STEEL EXTENSION DETAIL

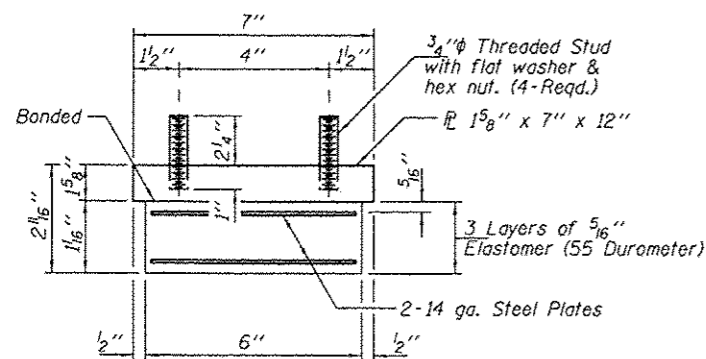
\* Use holes in existing flange of beams 7, 8A, 8B & 9 as template for drilling holes in top extension plate. Field drill holes in beams 1 thru 6 & 10 thru 15 using holes in top plate as template.

TYPE I ELASTOMERIC EXP. BRG.

(Pier 1, Span 1 or Pier 2, Span 3)

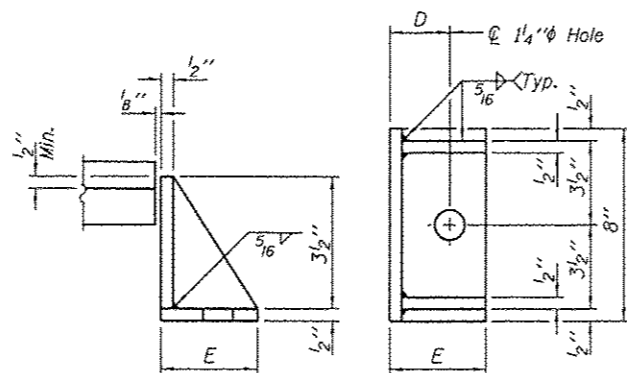
BEARING DIMENSIONS

MARK	BEAMS 1 THRU 6 & 10 THRU 15	BEAMS 7, 8A, 8B & 9
A	8 3/4"	9 3/4"
B	1'-5 1/2"	1'-7 1/2"
C	3"	5"
D	2 5/8"	3 5/8"
E	4 1/2"	5 1/2"
F	10 1/16"	11 9/16"
G	8 1/16"	9 9/16"



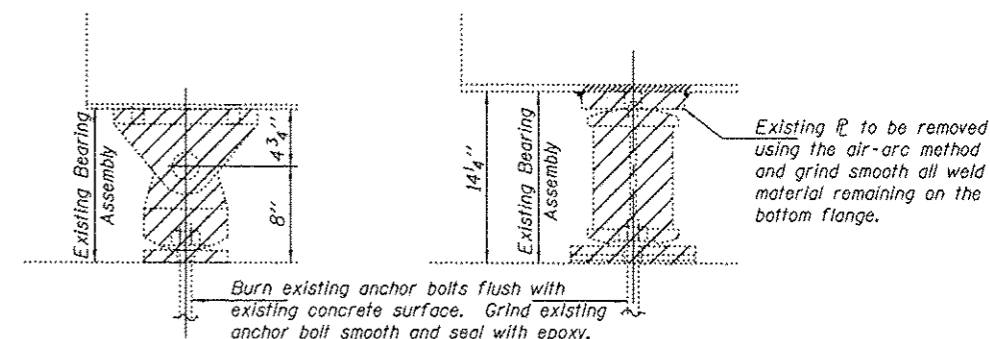
BEARING ASSEMBLY

Note: Shim plates shall not be placed under Bearing Assembly.



SIDE RETAINER

Equivalent rolled angle with stiffeners will be allowed in lieu of welded plates.



BEAMS 1 THRU 6 & 10 THRU 15 BEAMS 7, 8A, 8B & 9

EXISTING BEARING REMOVAL DETAIL

Cost included with Jack and Remove Existing Bearings.

BILL OF MATERIAL

Item	Unit	Total
Elastomeric Bearing Assembly, Type I	Each	32
Jack and Remove Existing Bearings	Each	32
Furnishing and Erecting Structural Steel	Pound	4510
Anchor Bolts 1"φ	Each	64

TYI/REPS 12-03-2008

DESIGNED VHV  
 CHECKED DAB  
 DRAWN ballva  
 CHECKED VHV DAB

EXAMINED  
 PASSED  
 Timothy A. ...  
 ACTING ENGINEER OF STRUCTURAL SERVICES  
 ...  
 ACTING ENGINEER OF BRIDGES AND STRUCTURES

DATE NOVEMBER 16, 2012  
 REVISED  
 REVISED

STATE OF ILLINOIS  
 DEPARTMENT OF TRANSPORTATION

REPAIR DETAILS  
 SN 016-0367

SHEET NO. 5 OF 7 SHEETS

F.A.P. RTE. SECTION COUNTY TOTAL SHEET NO.  
 341 608-1-BR(2) COOK 13 8  
 CONTRACT NO. 60T67  
 ILLINOIS FED. AID PROJECT