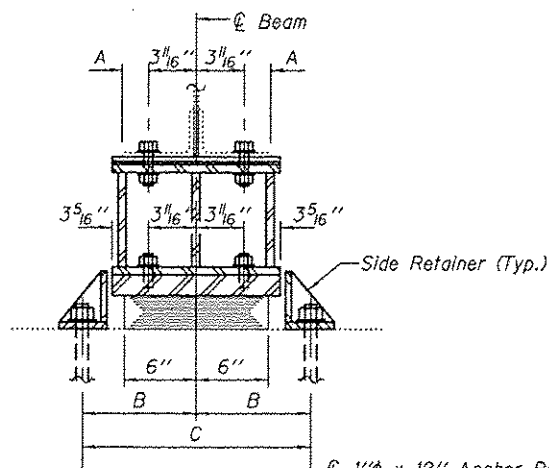


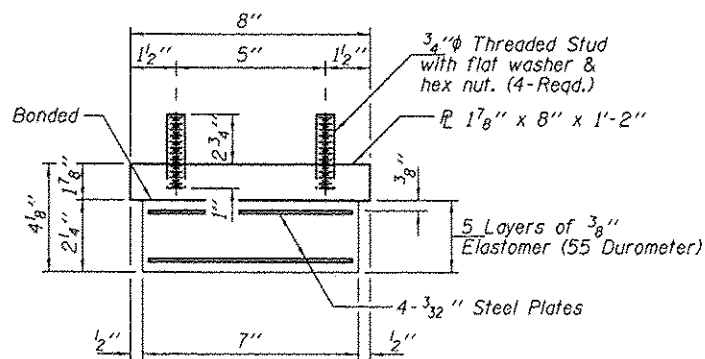
ELEVATION



SECTION A-A

TYPE I ELASTOMERIC EXP. BRG.

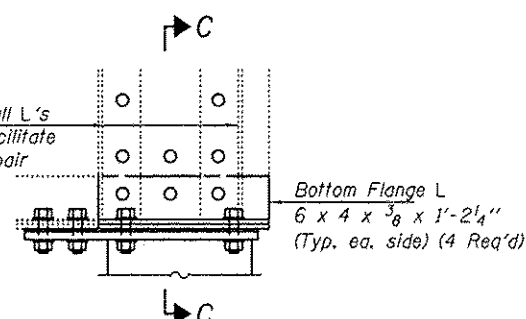
(Pier 2, Span 2)



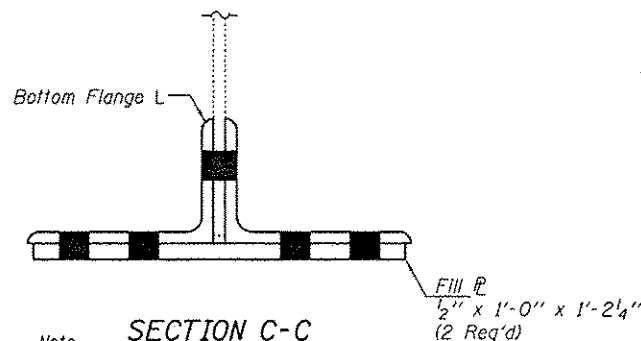
BEARING ASSEMBLY

Note: Shim plates shall not be placed under Bearing Assembly.

Remove & Reinstall L's as required to facilitate installation of Repair Plates & Angles.



ELEVATION AT FLANGE REPAIR

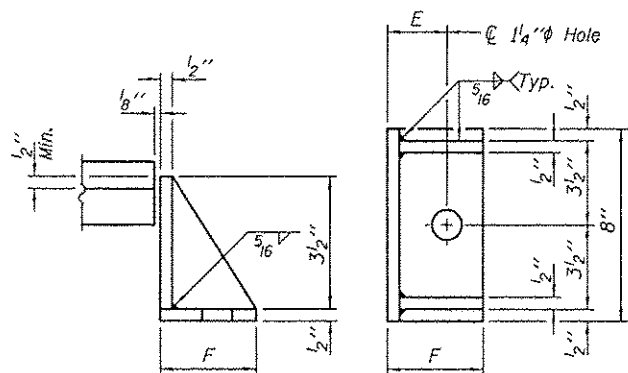


SECTION C-C
Field drill holes in new Repair P's & L's using existing holes as template.

Notes:
Diaphragm removal and reinstallation may be required to facilitate drilling holes. Cost included with Furnishing and Erecting Structural Steel.
New steel extensions, shim plates and connection bolts are included with Furnishing and Erecting Structural Steel.
Prior to ordering any material, the Contractor shall verify in the field all bearing height and shim thickness dimensions. Min. Jack capacity = 35 Tons.
Anchor bolts shall be ASTM F1554 all-thread (or an Engineer-approved alternate material) of the grade(s) and diameter(s) specified. ASTM A307 Grade C anchor bolts may be used in lieu of ASTM F1554 Grade 36 (Fy=36ksi). The corresponding specified grade of AASHTO M314 anchor bolts may be used in lieu of ASTM F1554.
Drilled and set anchor bolts shall be installed according to Article 521.06 of the Standard Specifications.
Side retainers shall be included in the cost of Elastomeric Bearing Assembly, Type I.

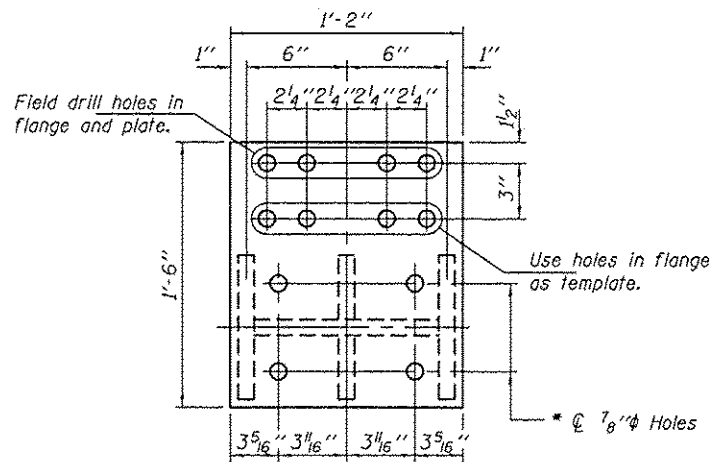
BEAM REACTIONS

RP	(K)	25.9
RL	(K)	26.4
Imp.	(K)	7.2
R (Total)	(K)	59.5

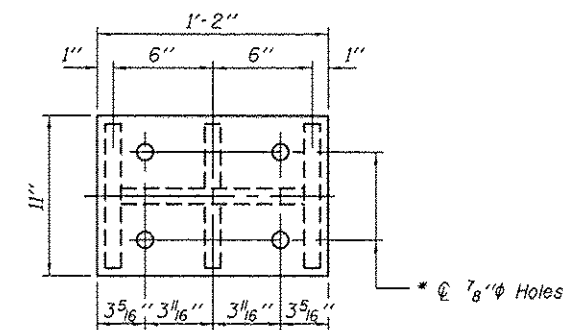


SIDE RETAINER

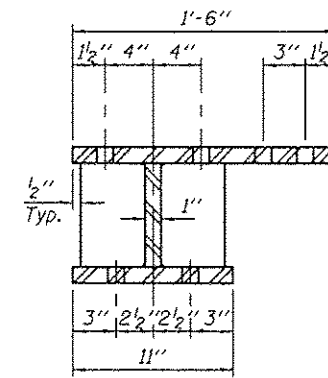
Equivalent rolled angle with stiffeners will be allowed in lieu of welded plates.



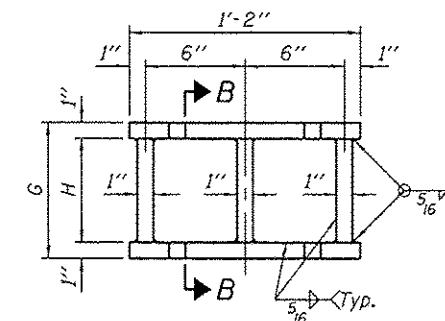
PLAN TOP PLATE



PLAN BOTTOM PLATE



SECTION B-B



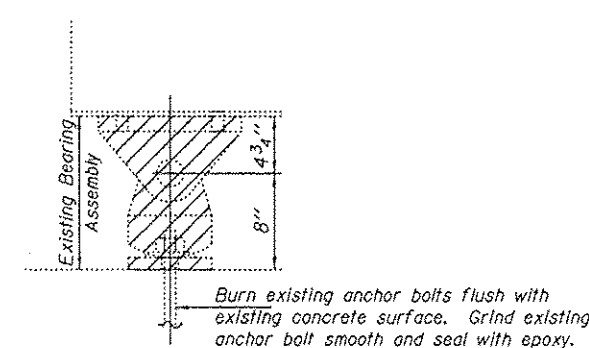
STEEL EXTENSION DETAIL

* Field drill holes in beams 1 & 15 using holes in top plate as template, except as noted.

BEAMS 1 & 15

EXISTING BEARING REMOVAL DETAIL

Cost included with Jack and Remove Existing Bearings.



BEARING DIMENSIONS

MARK	BEAMS 1 & 15
A	2 1/2"
B	10 3/4"
C	1'-9 1/2"
D	3"
E	3 3/8"
F	5 1/2"
G	8 3/8"
H	6 5/8"

BILL OF MATERIAL

Item	Unit	Total
Elastomeric Bearing Assembly, Type I	Each	2
Jack and Remove Existing Bearings	Each	2
Furnishing and Erecting Structural Steel	Pound	370
Anchor Bolts 1"φ	Each	4

TYI/REPS 12-03-2008

DESIGNED VHV
CHECKED DAB
DRAWN baliva
CHECKED VHV DAB

EXAMINED
PASSED
Timothy A. ...
ACTING ENGINEER OF STRUCTURAL SERVICES
Carl ...
ACTING ENGINEER OF BRIDGES AND STRUCTURES

DATE NOVEMBER 16, 2012
REVISED
REVISED

STATE OF ILLINOIS
DEPARTMENT OF TRANSPORTATION

REPAIR DETAILS
SN 016-0367

SHEET NO. 7 OF 7 SHEETS

F.A.P. RTE.	SECTION	COUNTY	TOTAL SHEETS	SHEET NO.
341	608-1-BR(12)	COOK	13	10
CONTRACT NO. 60T67				

ILLINOIS FED. AID PROJECT