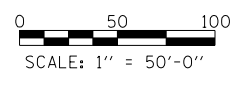
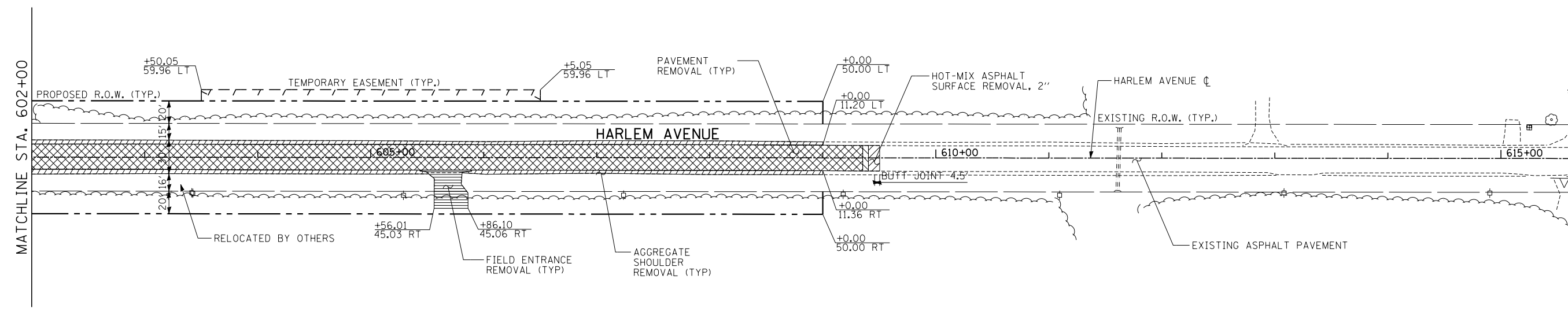


- LEGEND:**
- PAVEMENT REMOVAL
 - DRIVEWAY PAVEMENT REMOVAL
 - AGGREGATE SHOULDER REMOVAL (PAID FOR AS EARTH EXCAVATION)
 - FIELD ENTRANCE REMOVAL (PAID FOR AS EARTH EXCAVATION)
 - TRAFFIC SIGN REMOVAL
 - MAILBOX REMOVAL & TEMPORARILY RELOCATED
 - TREE REMOVAL



TYLIN INTERNATIONAL	USER NAME =	DESIGNED - DPS	REVISED -
	PLOT SCALE =	DRAWN - JTP	REVISED -
	PLOT DATE =	CHECKED - JPM	REVISED -
		DATE - 9/19/2012	REVISED - 11/2/2012

**STATE OF ILLINOIS
DEPARTMENT OF TRANSPORTATION**

**STUENKEL ROAD AT I-57 (HARLEM AVENUE TO RIDGELAND AVENUE)
HARLEM AVENUE REMOVAL PLAN**

F.A. RTE.	SECTION	COUNTY	TOTAL SHEETS	SHEET NO.
57	2012-048R	WILL	206	31
CONTRACT NO. 60V41			ILLINOIS FED. AID PROJECT	