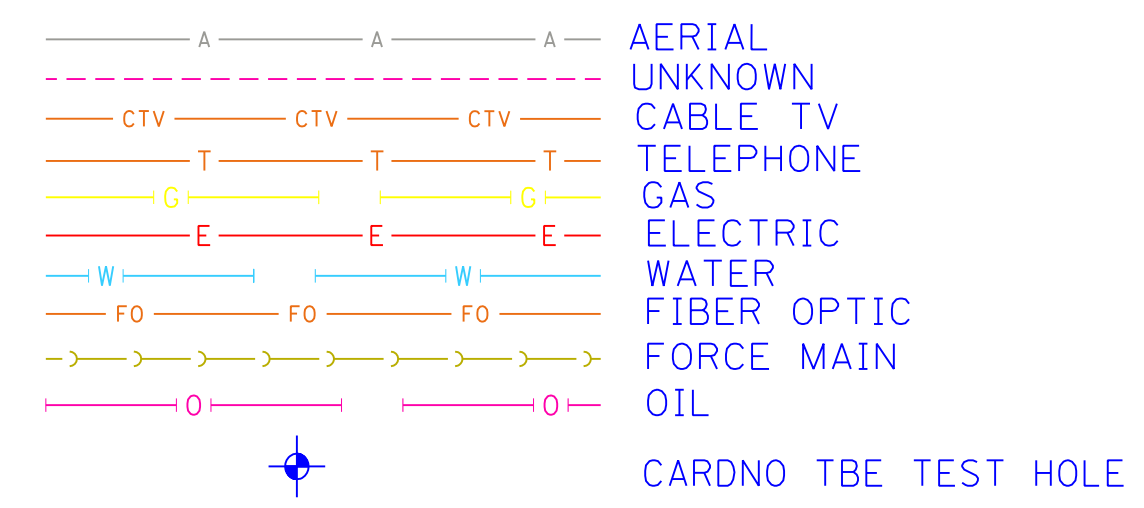


\*NOTE: FOR CONTRACT 60V41 SHEETS 7-17 WERE NOT USED.



UTILITY OWNERS	
AT&T = TELEPHONE	AT&T = FIBER OPTIC
BUCKEYE PARTNERS = OIL	COM-ED = ELECTRIC
ENTERPRISE PIPELINE = OIL	IDOT (CMS) = FIBER OPTIC
NICOR = GAS	VILLAGE OF UNIVERSITY PARK = WATER
VILLAGE OF UNIVERSITY PARK = FORCE MAIN	ZAYO GROUP = FIBER OPTIC

Utilities shown on these plans as depicted in the legend have been investigated by Cardno TBE in accordance with SUE Industry Standards. All other information shown has been provided to Cardno TBE by others. Cardno TBE's "Q" "B" SUE field investigation was performed on 4/04/12 and 5/14/12 through 6/01/12. Changes to utilities after 6/01/12 may have been made and therefore may result in variances from this plan. Consideration should be given to updating this plan if deemed advisable prior to final design and construction.

ALL UTILITIES SHOWN QUALITY LEVEL "B" UNLESS NOTED OTHERWISE.



TBE Job No. IL09510478, 484, 481  
SUE Plan Page: Cover

Utility Quality Level "A" : Visually verified Test Hole  
Utility Quality Level "B" : Designating/non Visually Verified Test Hole  
Utility Quality Level "C" : Research with Survey  
Utility Quality Level "D" : Records Research

DESIGNED	EG/LP	REVISED	
DRAWN	KLC	REVISED	
CHECKED	KFS	REVISED	
DATE	6/19/12	REVISED	

STATE OF ILLINOIS  
DEPARTMENT OF TRANSPORTATION

I-57 at Stuenkel Road Interchange  
Monee, Illinois

F.A. RTE.	SECTION	COUNTY	TOTAL SHEETS	SHEET NO.
	99-1 HB-R-1	Will	206	77
Contract No. 60T40, 60L69				
FED. ROAD DIST. NO. ILLINOIS IDOT Project No.				