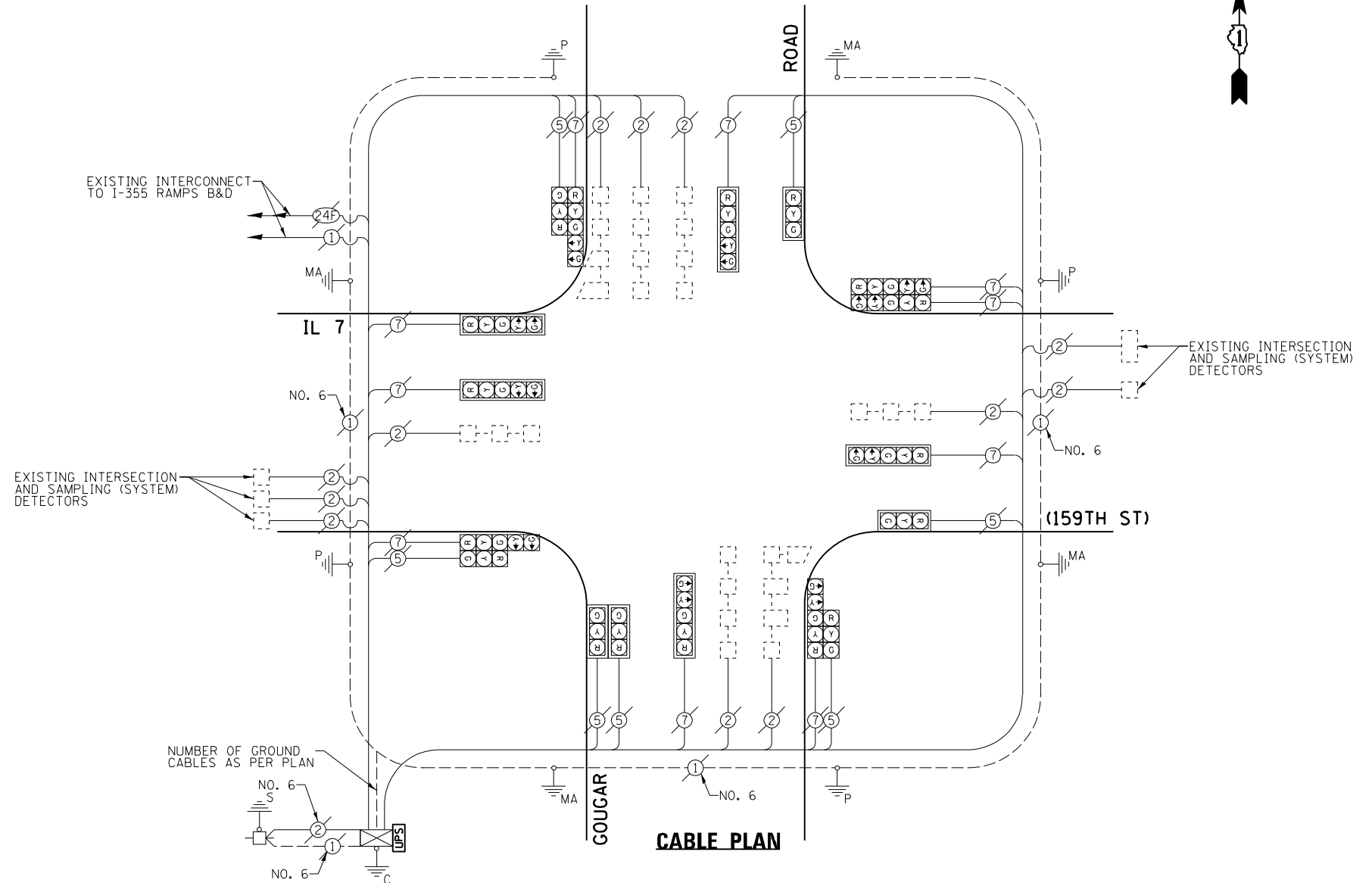


SCHEDULE OF QUANTITIES
IL 7 (159TH ST) AT COUGAR ROAD

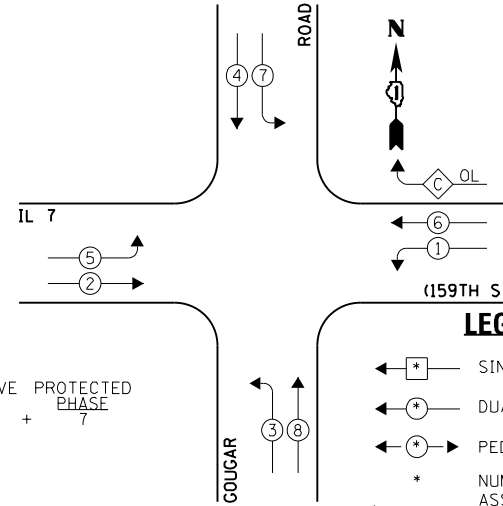


| NO. | QUANT. | UNIT | DESCRIPTION |
|-----|--------|------|---|
| 1. | 1 | EACH | MAINTENANCE OF EXISTING TRAFFIC SIGNAL INSTALLATION |
| 2. | 1 | EACH | MODIFY EXISTING CONTROLLER CABINET |
| 3. | 1 | EACH | UNINTERRUPTIBLE POWER SUPPLY, SPECIAL |



NOTE:
THE EXISTING CONTROLLER IS AN ECONOLITE ASC/25-2100 IN A TYPE IV CABINET.

CONTROLLER SEQUENCE



LEGEND:

- ← * → SINGLE ENTRY PHASE
- ← * → DUAL ENTRY PHASE
- ← * → PEDESTRIAN PHASE
- * NUMBER REFERS TO ASSOCIATED PHASE
- ← * → OL OVERLAP

OVERLAP LETTER C = PERMISSIVE PHASE 6 + PROTECTED PHASE 7

PHASE DESIGNATION DIAGRAM

| I.D.O.T. TRAFFIC SIGNAL INSTALLATION ELECTRICAL SERVICE REQUIREMENTS | | | | | TOTAL WATTAGE |
|--|-----------|---------------------------|-----------|------|---------------|
| TYPE | NO. LAMPS | WATTAGE INCAND. L.E.D. | OPERATION | | |
| SIGNAL (RED) | 17 | 135 | 17 | 0.50 | 144.5 |
| SIGNAL (YELLOW) | 17 | 135 | 25 | 0.25 | 106.25 |
| SIGNAL (GREEN) | 17 | 135 | 15 | 0.25 | 63.75 |
| ARROW | 24 | 135 | 12 | 0.10 | 28.8 |
| PED. SIGNAL | - | 90 | 25 | 1.00 | - |
| CONTROLLER | 1 | - | 100 | 1.00 | 100.0 |
| LUMINAIRE | - | - | 250 | 0.50 | - |
| L.E.D. ST. NAME SIGN | - | - | 64 | 0.50 | - |
| VIDEO SYSTEM | - | - | 150 | 1.00 | - |
| BATTERY BACKUP | 1 | - | 25 | 1.00 | 25.0 |
| ILLUMINATED SIGN | - | - | 25 | 0.05 | - |
| TOTAL = | | | | | 468.3 |

ENERGY COSTS - BILLED TO: IL DEPT. OF TRANSPORTATION
(ADDRESS) 201 W. CENTER COURT
(ADDRESS) SCHAMBURG IL, 60196-1096
ENERGY SUPPLY - CONTACT: -
PHONE: -
COMPANY: -

THE TRAFFIC SIGNAL CONTROL EQUIPMENT FOR THIS PROJECT SHALL BE "ECONOLITE" TO MATCH THE EXISTING ADJACENT SYSTEM.

| | | | |
|-------------|---------------------|-----------------|-----------|
| FILE NAME = | USER NAME = \$USER* | DESIGNED - JRD | REVISED - |
| \$FILEL\$ | | DRAWN - ZCW | REVISED - |
| Default | | CHECKED - KLB | REVISED - |
| | PLOT DATE = \$DATE* | DATE - 10-12-12 | REVISED - |

STATE OF ILLINOIS
DEPARTMENT OF TRANSPORTATION

SCHEDULE OF QUANTITIES, CABLE PLAN, PHASE DESIGNATION DIAGRAM, & EMERGENCY VEHICLE PREEMPTION SEQUENCE
IL 7 (159TH ST) AT COUGAR ROAD

SCALE: NONE SHEET OF SHEETS STA. TO STA.

| | | | | |
|---------------------------|------------|--------|--------------------|-----------|
| F.A. RTE. | SECTION | COUNTY | TOTAL SHEETS | SHEET NO. |
| VARIES | 2012-067 I | WILL | 39 | 29 |
| ILLINOIS FED. AID PROJECT | | | CONTRACT NO. 60V74 | |