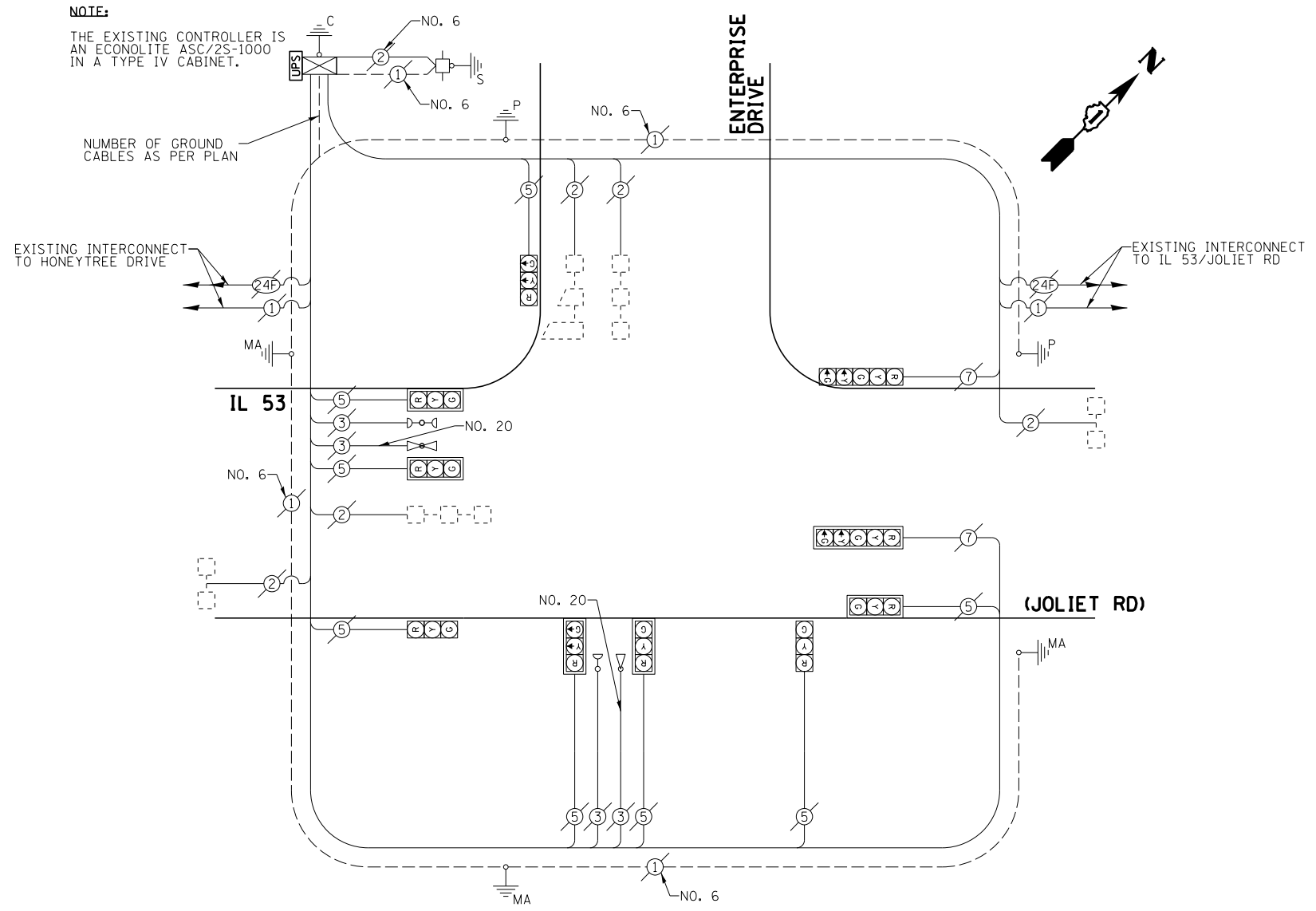


SCHEDULE OF QUANTITIES  
IL 53 (JOLIET RD) AT ENTERPRISE DRIVE

NO.	QUANT.	UNIT	DESCRIPTION
1.	1	EACH	MAINTENANCE OF EXISTING TRAFFIC SIGNAL INSTALLATION
2.	1	EACH	MODIFY EXISTING CONTROLLER CABINET
3.	1	EACH	UNINTERRUPTIBLE POWER SUPPLY, SPECIAL

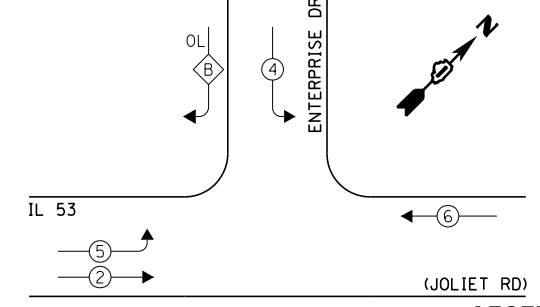
NOTE:

THE EXISTING CONTROLLER IS AN ECONOLITE ASC/25-1000 IN A TYPE IV CABINET.

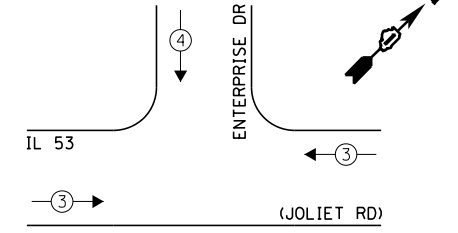


CABLE PLAN

CONTROLLER SEQUENCE



EMERGENCY VEHICLE PREEMPTION SEQUENCE



LEGEND:

- ← \* → SINGLE ENTRY PHASE
- ← \* → DUAL ENTRY PHASE
- ← \* → PEDESTRIAN PHASE
- \* NUMBER REFERS TO ASSOCIATED PHASE
- ← \* → OL OVERLAP

PHASE DESIGNATION DIAGRAM

I.D.O.T. TRAFFIC SIGNAL INSTALLATION ELECTRICAL SERVICE REQUIREMENTS					TOTAL WATTAGE
TYPE	NO. LAMPS	INCAND.	L.E.D.	OPERATION	
SIGNAL (RED)	10	135	17	0.50	85.0
SIGNAL (YELLOW)	10	135	25	0.25	62.5
SIGNAL (GREEN)	10	135	15	0.25	37.5
ARROW	4	135	12	0.10	4.8
PED. SIGNAL	-	90	25	1.00	-
CONTROLLER	1	-	100	1.00	100.0
LUMINAIRE	-	-	250	0.50	-
L.E.D. ST. NAME SIGN	-	-	64	0.50	-
VIDEO SYSTEM	-	-	150	1.00	-
BATTERY BACKUP	1	-	25	1.00	25.0
ILLUMINATED SIGN	-	-	25	0.05	-
TOTAL =					314.8

THE TRAFFIC SIGNAL CONTROL EQUIPMENT FOR THIS PROJECT SHALL BE "ECONOLITE" TO MATCH THE EXISTING ADJACENT SYSTEM.

ENERGY COSTS - BILLED TO: IL DEPT. OF TRANSPORTATION  
(ADDRESS) 201 W. CENTER COURT  
(ADDRESS) SCHAUMBURG, IL 60196-1096  
ENERGY SUPPLY - CONTACT: \_\_\_\_\_  
PHONE: \_\_\_\_\_  
COMPANY: \_\_\_\_\_

FILE NAME =	USER NAME = blumbergpa	DESIGNED - JRD	REVISED -
S:\WP\Design\PB\6074 Will County LED Installation\Final revisions CADD 10-25-12\6074-DRWING	DRAWN - ZCW	REVISED -	
Default	PLOT SCALE = 40.000000' / in.	CHECKED - KLB	REVISED -
	PLOT DATE = 11/5/2012	DATE - 10-12-12	REVISED -

STATE OF ILLINOIS  
DEPARTMENT OF TRANSPORTATION

SCHEDULE OF QUANTITIES, CABLE PLAN, PHASE DESIGNATION  
DIAGRAM, & EMERGENCY VEHICLE PREEMPTION SEQUENCE  
IL 53 (JOLIET RD) AT ENTERPRISE DRIVE

SCALE: NONE SHEET OF SHEETS STA. TO STA.

F.A. RTE.	SECTION	COUNTY	TOTAL SHEETS	SHEET NO.
VARIES	2012-067 I	WILL	39	35
ILLINOIS FED. AID PROJECT			CONTRACT NO. 60V74	