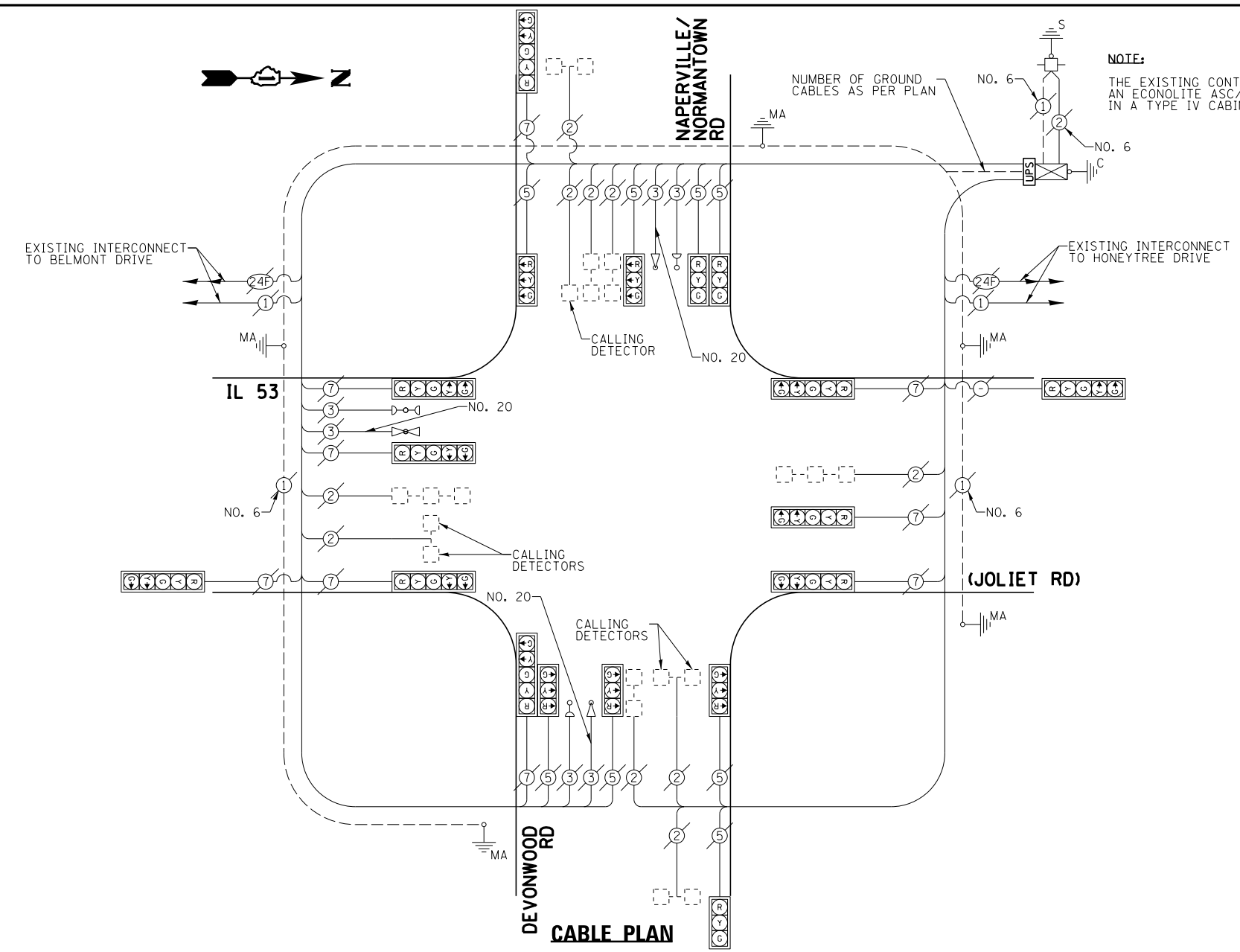
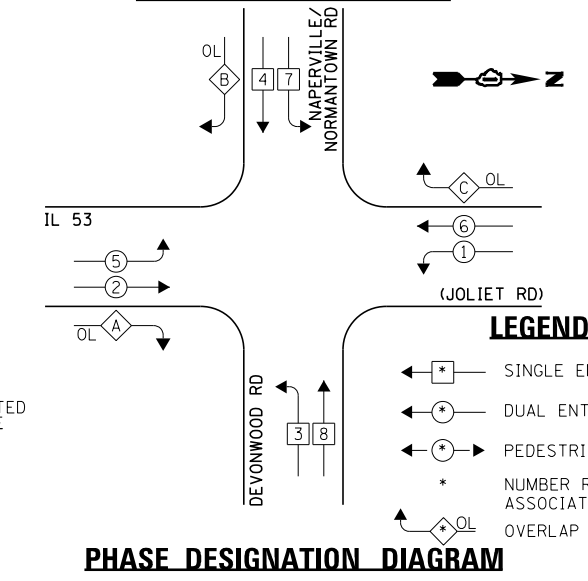


SCHEDULE OF QUANTITIES
IL 53 (JOLIET RD) AT NORMANTOWN / DEVONWOOD ROAD

NO.	QUANT.	UNIT	DESCRIPTION
1.	1	EACH	MAINTENANCE OF EXISTING TRAFFIC SIGNAL INSTALLATION
2.	1	EACH	MODIFY EXISTING CONTROLLER CABINET
3.	1	EACH	UNINTERRUPTABLE POWER SUPPLY, SPECIAL



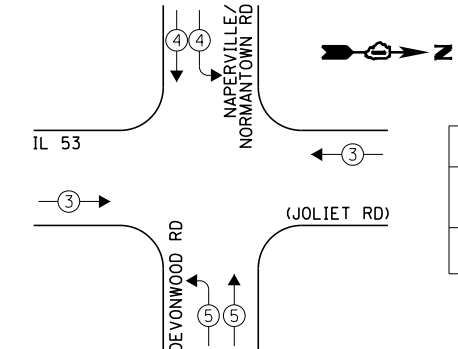
CONTROLLER SEQUENCE



PHASE DESIGNATION DIAGRAM

OVERLAP LETTER	PERMISSIVE PHASE	PROTECTED PHASE
A	2	3
B	4	5
C	6	7

EMERGENCY VEHICLE PREEMPTION SEQUENCE



EMERGENCY VEHICLE PREEMPTORS		
EMERGENCY VEHICLE PREEMPTOR	3	4
MOVEMENT	↔	↕

I.D.O.T. TRAFFIC SIGNAL INSTALLATION ELECTRICAL SERVICE REQUIREMENTS				TOTAL WATTAGE	
TYPE	NO. LAMPS	WATTAGE	OPERATION		
		INCAND.	L.E.D.		
SIGNAL (RED)	18	135	17	0.50	153.0
SIGNAL (YELLOW)	18	135	25	0.25	112.5
SIGNAL (GREEN)	18	135	15	0.25	67.5
ARROW	20	135	12	0.10	24.0
PED. SIGNAL	-	90	25	1.00	-
CONTROLLER	1	-	100	1.00	100.0
LUMINAIRE	-	-	250	0.50	-
L.E.D. ST. NAME SIGN	-	-	64	0.50	-
VIDEO SYSTEM	-	-	150	1.00	-
BATTERY BACKUP	1	-	25	1.00	25.0
ILLUMINATED SIGN	-	-	25	0.05	-
TOTAL =					482.0

ENERGY COSTS - BILLED TO: IL DEPT. OF TRANSPORTATION
(ADDRESS) 201 W. CENTER COURT
(ADDRESS) SCHAUMBURG, IL 60196-1096

ENERGY SUPPLY - CONTACT: _____
PHONE: _____
COMPANY: _____

THE TRAFFIC SIGNAL CONTROL EQUIPMENT FOR THIS PROJECT SHALL BE "ECONOLITE" TO MATCH THE EXISTING ADJACENT SYSTEM.

FILE NAME =	USER NAME = blumbergpa	DESIGNED - JRD	REVISED -
S:\WP\Design\PB\60V74 Will County LED Installation\Final revisions CADD 10-25-12\60V74-DRWING	DRAWN - ZCW	REVISED -	
Default	PLOT SCALE = 40.000000 ' / in.	CHECKED - KLB	REVISED -
	PLOT DATE = 11/5/2012	DATE - 10-12-12	REVISED -

STATE OF ILLINOIS
DEPARTMENT OF TRANSPORTATION

SCHEDULE OF QUANTITIES, CABLE PLAN, PHASE DESIGNATION DIAGRAM, & EMERGENCY VEHICLE PREEMPTION SEQUENCE
IL 53 (JOLIET RD) AT NAPERVILLE/NORMANTOWN/DEVONWOOD ROAD

SCALE: NONE SHEET OF SHEETS STA. TO STA.

F.A. RTE.	SECTION	COUNTY	TOTAL SHEETS	SHEET NO.
VARIES	2012-067 I	WILL	39	36
CONTRACT NO. 60V74				
ILLINOIS FED. AID PROJECT				