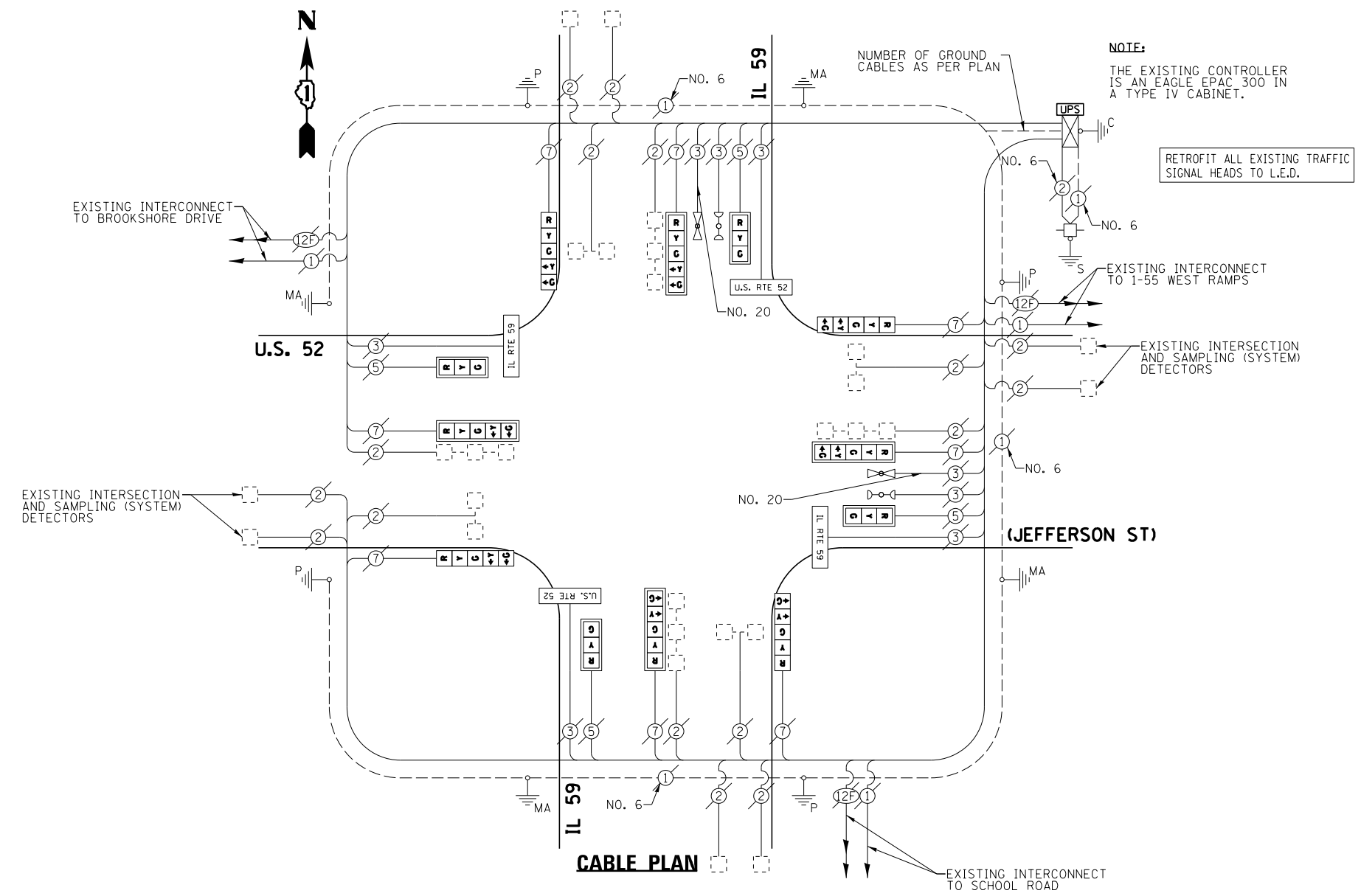
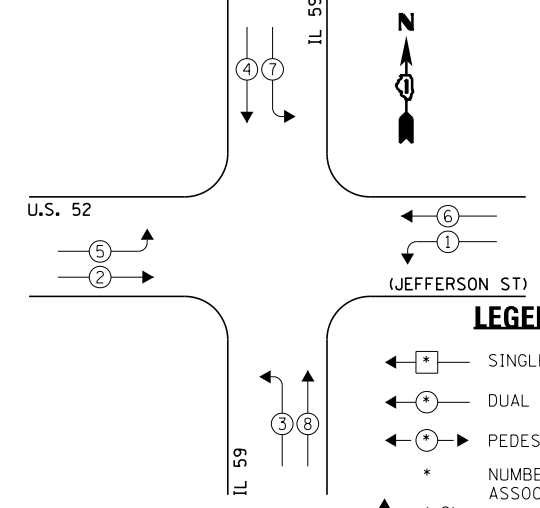


SCHEDULE OF QUANTITIES  
U.S. 52 (JEFFERSON ST) AT IL 59

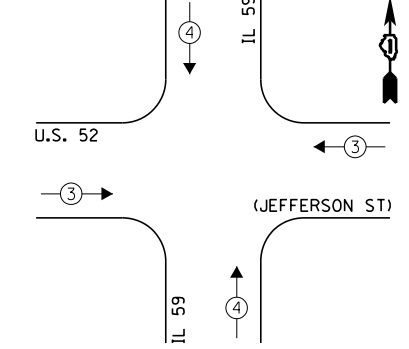
NO.	QUANT.	UNIT	DESCRIPTION
1.	1	EACH	MAINTENANCE OF EXISTING TRAFFIC SIGNAL INSTALLATION
2.	1	EACH	MODIFY EXISTING CONTROLLER CABINET
3.	1	EACH	UNINTERRUPTABLE POWER SUPPLY, SPECIAL
4.	4	EACH	SIGNAL HEAD, LED, 1-FACE, 3-SECTION, MAST ARM MOUNTED, RETROFIT
5.	4	EACH	SIGNAL HEAD, LED, 1-FACE, 5-SECTION, MAST ARM MOUNTED, RETROFIT
6.	4	EACH	SIGNAL HEAD, LED, 1-FACE, 5-SECTION, BRACKET MOUNTED, RETROFIT



CONTROLLER SEQUENCE



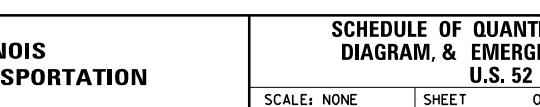
EMERGENCY VEHICLE PREEMPTION SEQUENCE



LEGEND:

- ← \* → SINGLE ENTRY PHASE
- ← \* → DUAL ENTRY PHASE
- ← \* → PEDESTRIAN PHASE
- \* NUMBER REFERS TO ASSOCIATED PHASE
- ← \* → OVERLAP

PHASE DESIGNATION DIAGRAM



I.D.O.T. TRAFFIC SIGNAL INSTALLATION ELECTRICAL SERVICE REQUIREMENTS					TOTAL WATTAGE
TYPE	NO. LAMPS	WATTAGE	OPERATION		
		INCAND.	L.E.D.		
SIGNAL (RED)	12	135	17	0.50	102.0
SIGNAL (YELLOW)	12	135	25	0.25	75.0
SIGNAL (GREEN)	12	135	15	0.25	45.0
ARROW	16	135	12	0.10	19.2
PED. SIGNAL	-	90	25	1.00	-
CONTROLLER	1	-	100	1.00	100.0
LUMINAIRE	-	-	250	0.50	-
L.E.D. ST. NAME SIGN	4	-	64	0.50	128.0
VIDEO SYSTEM	-	-	150	1.00	-
BATTERY BACKUP	1	-	25	1.00	25.0
ILLUMINATED SIGN	-	-	25	0.05	-
TOTAL =					494.2

ENERGY COSTS - BILLED TO: IL DEPT. OF TRANSPORTATION  
(ADDRESS) 201 W. CENTER COURT  
(ADDRESS) SCHAUMBURG, IL 60196-1096  
ENERGY SUPPLY - CONTACT: \_\_\_\_\_  
PHONE: \_\_\_\_\_  
COMPANY: \_\_\_\_\_

THE TRAFFIC SIGNAL CONTROL EQUIPMENT FOR THIS PROJECT SHALL BE "EAGLE" TO MATCH THE EXISTING ADJACENT SYSTEM.

FILE NAME =	USER NAME = blumbergpa	DESIGNED - JRD	REVISED - PB 11/02/2012
S:\WP\Design\PB\60V74 Will County LED Installation\Final revisions CADD 10-25-12\60V74-	DRAWN - ZCW	CHECKED - KLB	REVISED -
Default	PLOT SCALE = 40.000000' / in.	DATE - 10-12-12	REVISED -

STATE OF ILLINOIS  
DEPARTMENT OF TRANSPORTATION

SCHEDULE OF QUANTITIES, CABLE PLAN, PHASE DESIGNATION  
DIAGRAM, & EMERGENCY VEHICLE PREEMPTION SEQUENCE  
U.S. 52 (JEFFERSON ST) AT IL 59

SCALE: NONE SHEET OF SHEETS STA. TO STA.

F.A. RTE.	SECTION	COUNTY	TOTAL SHEETS	SHEET NO.
VARIES	2012-067 I	WILL	39	38
CONTRACT NO. 60V74				

GHA #4085.886

ILLINOIS FED. AID PROJECT