

ROUTE	SECTION	COUNTY	TOTAL SHEETS	SHEET NUMBER
VARIOUS	2012-075BP	WILL	24	4

Contract 60V85

### GENERAL NOTES FOR PAINT

CLEANING AND PAINTING OF THE EXISTING STRUCTURAL STEEL SHALL BE AS SPECIFIED IN THE SPECIAL PROVISION FOR "CLEANING AND PAINTING EXISTING STEEL STRUCTURES".

CONTAINMENT OF CLEANING RESIDUE IS REQUIRED TO CONTROL NUISANCE DUST. SEE SPECIAL PROVISION FOR "CONTAINMENT AND DISPOSAL OF NON-LEAD PAINT CLEANING RESIDUE."

THE AREAS DESIGNATED TO BE CLEANED PER NEAR WHITE BLAST CLEANING SSPC-SP10 SHALL BE PAINTED ACCORDING TO THE REQUIREMENTS OF PAINT SYSTEM 1 - OZ/E/U. THE COLOR OF THE FINAL FINISH COAT FOR ALL INTERIOR STEEL SURFACES SHALL BE GRAY, MUNSELL NO 5B 7/1. THE COLOR OF THE FINAL FINISH COAT FOR THE EXTERIOR AND BOTTOM FLANGE OF THE FASCIA BEAMS SHALL BE REDDISH BROWN, MUNSELL NO 2.5YR 3/4.

ALL ITEMS (SUCH AS, BUT NOT LIMITED TO: CONDUITS, BRACKETS AND DECK DRAINS) ATTACHED TO THE OUTSIDE OF THE FASCIA BEAMS SHOULD BE CLEANED AND PAINTED.

**LOC 1 (SN 099-0005)**

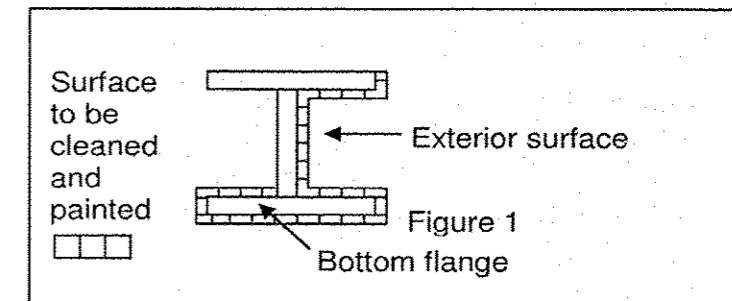
ALL BEAMS, BEARINGS AND OTHER STRUCTURAL STEEL WITHIN FIVE (5) FT., (MEASURED ALONG THE BEAM) OF EITHER SIDE OF ALL DECK JOINTS, SHALL BE CLEANED PER NEAR WHITE BLAST CLEANING SSPC-SP10. THE EXTERIOR SURFACES AND TOP AND BOTTOM OF THE BOTTOM FLANGE OF THE FASCIA BEAMS (SEE FIGURE 1) SHALL BE CLEANED PER NEAR WHITE BLAST CLEANING SSPC-SP10. THE INSIDE SURFACE OF THE FASCIA BEAMS IN THE SOUTH SPAN SHALL ALSO BE CLEANED PER SSPC-SP10.

**LOC'S 2 (SN 099-0286) & 3 (SN 099-0304)**

ALL BEAMS, BEARINGS AND OTHER STRUCTURAL STEEL WITHIN FIVE (5) FT., (MEASURED ALONG THE BEAM) OF EITHER SIDE OF ALL DECK JOINTS, SHALL BE CLEANED PER NEAR WHITE BLAST CLEANING SSPC-SP10. THE EXTERIOR SURFACES AND TOP AND BOTTOM OF THE BOTTOM FLANGE OF THE FASCIA BEAMS (SEE FIGURE 1) SHALL BE CLEANED PER NEAR WHITE BLAST CLEANING SSPC-SP10.

**LOC 4 (SN 099-0157)**

ALL EXISTING STEEL SHALL BE CLEANED PER NEAR WHITE BLAST CLEANING SSPC-SP10.



**FASCIA BEAM PAINTING DETAIL**  
**FIGURE 1**

ILLINOIS DEPARTMENT OF TRANSPORTATION

GENERAL PAINT NOTES