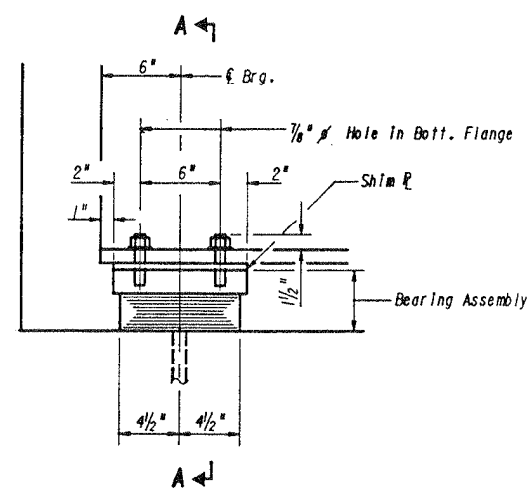


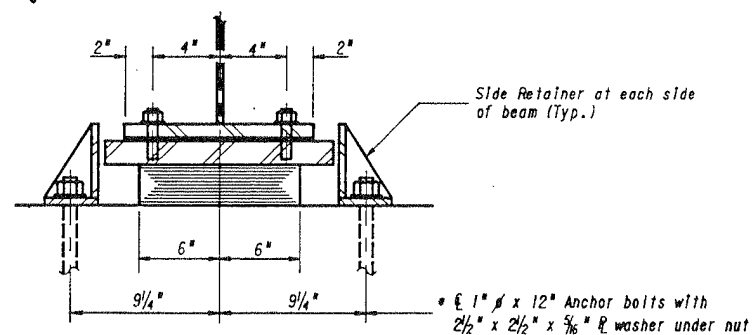
| ROUTE | SECTION | COUNTY | TOTAL SHEETS | SHEET NUMBER |
|---------|------------|--------|--------------|--------------|
| VARIOUS | 2012-075BP | WILL | 24 | 10 |

CONTRACT NO. 60V85

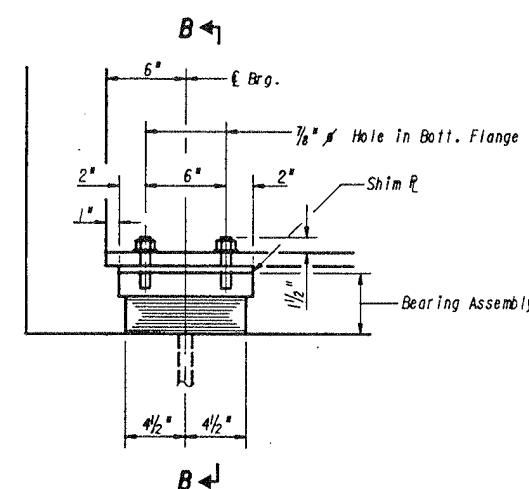


ELEVATION

TYPE I ELASTOMERIC EXP. BRG. AT SOUTH ABUTMENT
(6 Required)

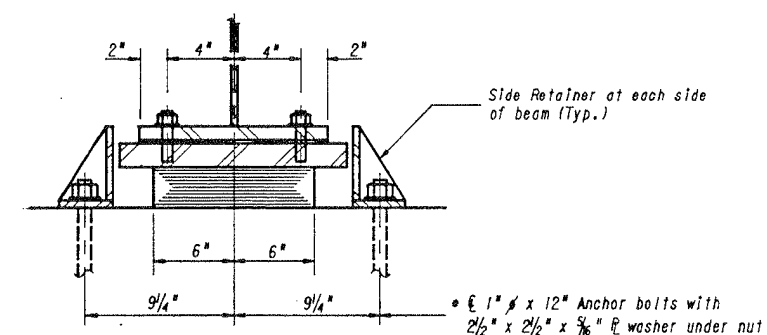


SECTION A-A



ELEVATION

TYPE I ELASTOMERIC EXP. BRG. AT NORTH ABUTMENT
(6 Required)



SECTION B-B

ABUTMENT BEARING DETAILS

**ILLINOIS DEPARTMENT OF
TRANSPORTATION**

**EXISTING BRIDGE PLAN
LOCATION 1
SN 099-0005
I-55 SB AT GRANT CREEK**