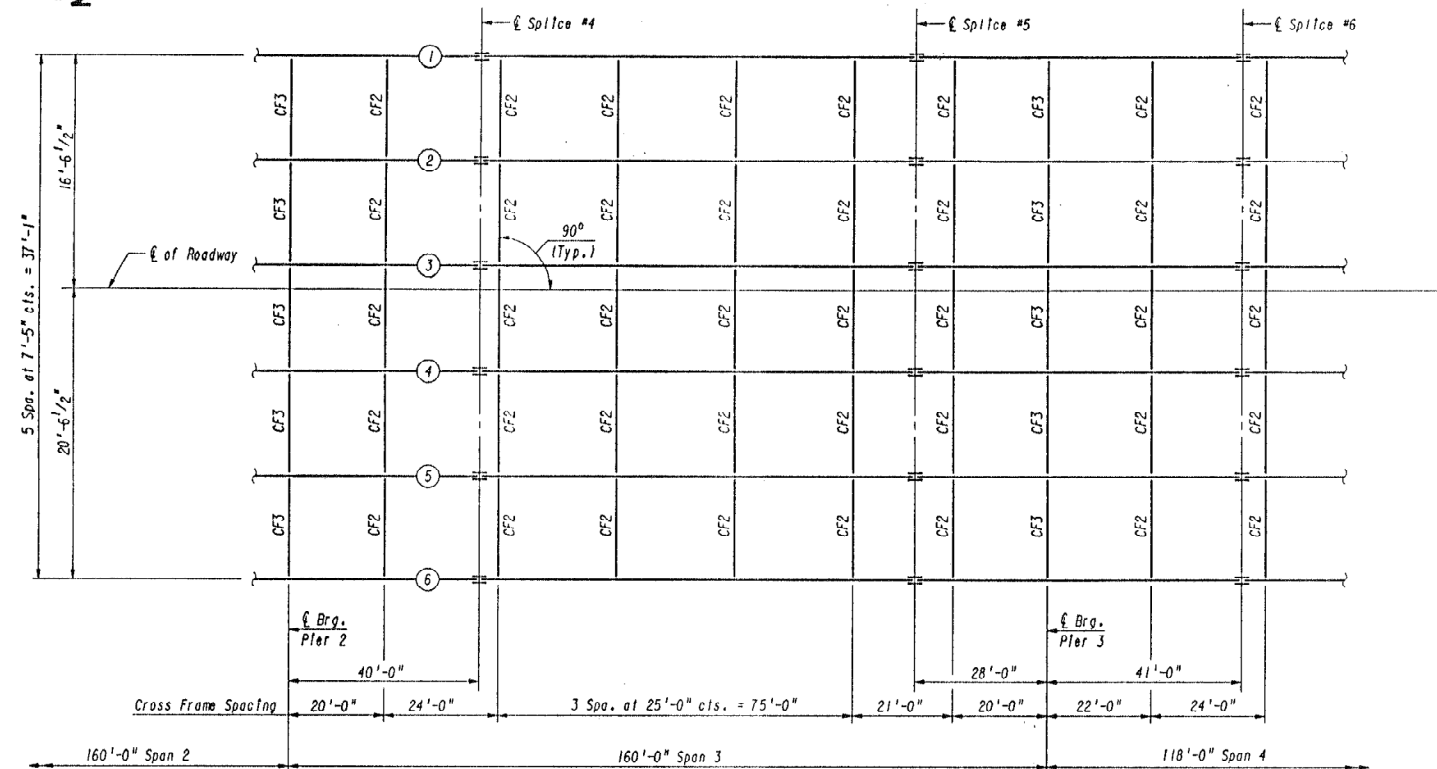
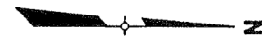
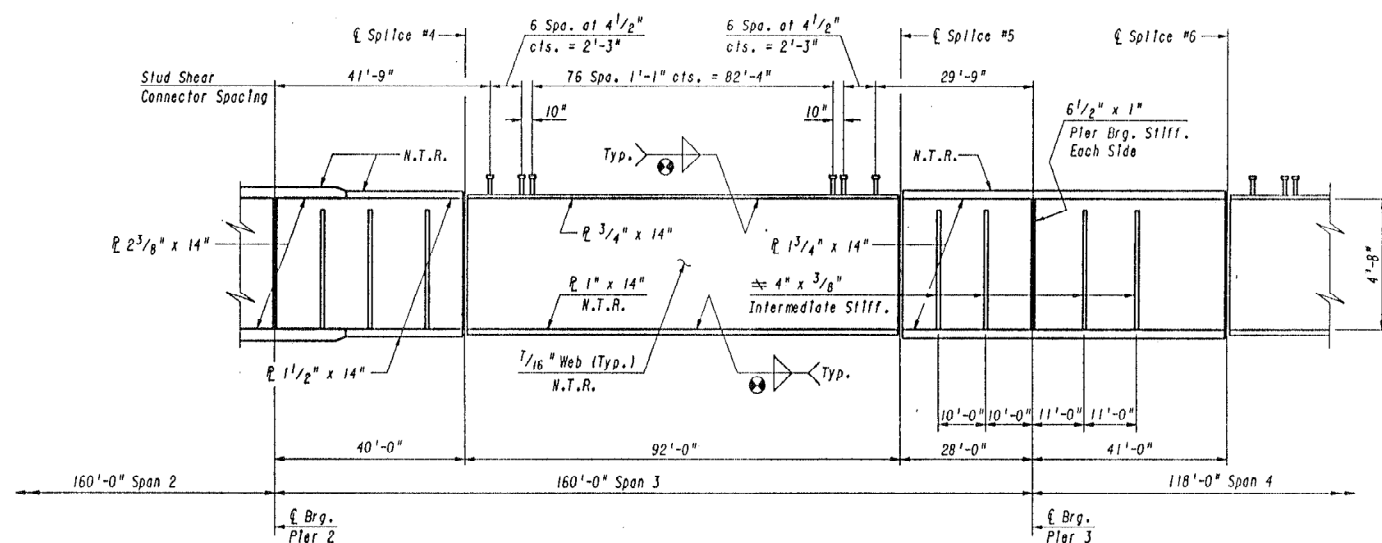


ROUTE VARIOUS	SECTION 2012-075BP	COUNTY WILL	TOTAL SHEETS 24	SHEET NUMBER 13
-------------------------	------------------------------	-----------------------	---------------------------	---------------------------

CONTRACT NO. 60V85



FRAMING PLAN



GIRDER ELEVATION

"N.T.R." denotes Plates to which Notch Toughness Requirements are applicable.

Place Intermediate Stiffeners on Inside Face of Exterior Girders and on Inside Face of Interior Girders.

ILLINOIS DEPARTMENT OF
TRANSPORTATION

EXISTING BRIDGE PLAN
LOCATION 2
SN 099-0286
I-55 NB AT CREEK & RR